

32-bit RISC microcontroller

TXZ+ Family

Reference Manual Voltage Detection Circuit (LVD-E)

Revision 1.0

2020-10

TOSHIBA ELECTRONIC DEVICES & STORAGE CORPORATION

Contents

Preface	4
Related document.....	4
Conventions	5
Terms and Abbreviations	7
1. Outline	8
2. Configuration.....	8
3. Details of a function and operation	9
3.1. Voltage Detection Circuit	9
3.2. Setting	9
3.2.1. Voltage Detection Control.....	9
3.2.2. Selection of Detected Voltage	9
3.2.3. Selection from Interrupt and Reset.....	9
3.2.4. Output Control of Interrupt and Reset.....	10
3.2.5. Status Register	10
3.2.6. Setting Change.....	10
3.3. Detection/release timing	11
4. Register explanation	13
4.1. Register list	13
4.2. Details of a register	13
4.2.1. [LVDCR1] (LVD Control Register 1)	13
4.2.2. [LVDCR2] (LVD Control Register 2)	13
4.2.3. [LVDLVL1] (LVD Detected Voltage Selection Register 1)	14
4.2.4. [LVDSR] (LVD Status Register).....	14
5. Revision history.....	15
RESTRICTIONS ON PRODUCT USE.....	16

List of figures

Figure 2.1	The Block Diagrams of LVD	8
Figure 3.1	LVD release timing.....	11
Figure 3.2	LVD detection, Release timing	12
Figure 3.3	LVD detection Minimum pulse width	12

List of Tables

Table2.1	List of Signals.....	8
Table5.1	Revision history.....	15

Preface

Related document

Document name
Product Information
Clock Control and Operation Mode
Exception

Conventions

- Numeric formats follow the rules as shown below:
 - Hexadecimal: 0xABC
 - Decimal: 123 or 0d123 – Only when it needs to be explicitly shown that they are decimal numbers.
 - Binary: 0b111 – It is possible to omit the “0b” when the number of bit can be distinctly understood from a sentence.
- “_N” is added to the end of signal names to indicate low active signals.
- It is called “assert” that a signal moves to its active level, “deassert” to its inactive level.
- When two or more signal names are referred, they are described like as [m: n].
Example: S[3: 0] shows four signal names S3, S2, S1 and S0 together.
- The characters surrounded by [] defines the register.
Example: [ABCD]
- “n” substitutes suffix number of two or more same kind of registers, fields, and bit names.
Example: [XYZ1], [XYZ2], [XYZ3] → [XYZn]
- “x” substitutes suffix number or character of units and channels in the Register List.
 - In case of unit, “x” means A, B, and C . . .
 - Example: [ADACR0], [ADBCR0], [ADCCR0] → [ADxCR0]
 - In case of channel, “x” means 0, 1, and 2 . . .
 - Example: [T32A0RUNA], [T32A1RUNA], [T32A2RUNA] → [T32AxRUNA]
- The bit range of a register is written like as [m: n].
Example: Bit[3: 0] expresses the range of bit 3 to 0.
- The configuration value of a register is expressed by either the hexadecimal number or the binary number.
Example: [ABCD]<EFG> = 0x01 (hexadecimal), [XYZn]<VW> = 1 (binary)
- Word and Byte represent the following bit length.
 - Byte: 8 bits
 - Half word: 16 bits
 - Word: 32 bits
 - Double word: 64 bits
- Properties of each bit in a register are expressed as follows:
 - R: Read only
 - W: Write only
 - R/W: Read and Write are possible
- Unless otherwise specified, register access supports only word access.
- The register defined as reserved must not be rewritten. Moreover, do not use the read value.
- The value read from the bit having default value of “-” is unknown.
- When a register containing both of writable bits and read-only bits is written, read-only bits should be written with their default value, In the cases that default is “-“, follow the definition of each register.
- Reserved bits of the Write-only register should be written with their default value. In the cases that default is “-“, follow the definition of each register.
- Do not use read-modified-write processing to the register of a definition which is different by writing and read out.

All other company names, product names, and service names mentioned herein may be trademarks of their respective companies.

Terms and Abbreviations

Some of abbreviations used in this document are as follows:

INT	Interrupt
LVD	Voltage Detection Circuit
POR	Power On Reset Circuit

1. Outline

The main functions of the voltage detection circuit (LVD) are shown in the following table.

Function category	Function	Description	Note
Supply voltage detection function	Reset Output	Reset is generated at the set detection voltage or less.	Selectable from the reset and an interrupt.
	Interrupt request	An interrupt request is generated at the set detection voltage or less.	
	Monitor	The status can be monitored using a status register for the voltage detection.	
	Detection voltage selection	The selection out of 7 kinds is possible.	

2. Configuration

The voltage detection circuit consists of a reference voltage generation circuit, a detection voltage selection circuit, a Comparator, and control register.

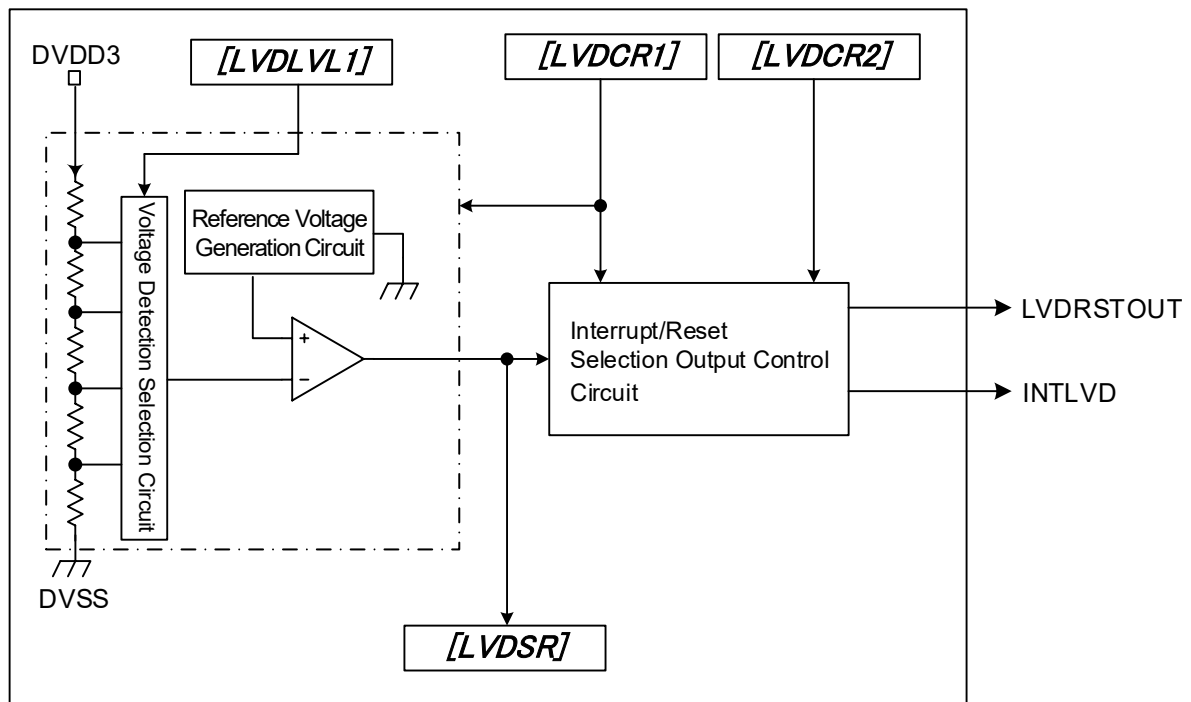


Figure 2.1 The Block Diagrams of LVD

Table2.1 List of Signals

No	Symbol	Signal name	I/O	Related Reference manual
1	DVDD3	Power supply pin for detection	Input	Product Information
2	LVDRSTOUT	LVD reset Output	Output	Clock Control and Operation Mode
3	INTLVD	LVD interrupt request signal	Output	Exception

3. Details of a function and operation

The voltage detection circuit observes the voltage of DVDD3 pin. It compares the reference voltage generated by the reference voltage generator and the output voltage of the detection voltage selector which selects one of the detection voltages generated by using the DVDD3 voltage. According to the comparison result, the reset or the interrupt request is generated by the interrupt/reset selection output control circuit.

When the power supply starts up, the reset signal (LVDRSTOUT) is asserted while the DVDD3 voltage is lower than the reset-release voltage. After the DVDD3 voltage exceeds the reset-release voltage, the reset is deasserted.

3.1. Voltage Detection Circuit

The LVD circuit has the functions of the voltage detection and the reset release.

The voltage detection function generates the reset signal or the interrupt request according to the setting in $[LVDCRI]<LVDSSEL>$ when the DVDD3 voltage decreases and becomes lower than the set value in $[LVDLVLI]<LVDNLVL[3:0]>$. The reset-release function deasserts the reset signal (when the reset signal is selected) after the voltage increases and exceeds the set voltage in $[LVDLVLI]<LVDNLVL[3:0]>$. When the interrupt request is selected, the reset-release function does not generate the interrupt request.

The status of the DVDD3 voltage can be monitored by using $[LVDSR]<LVDNS>$ in the voltage detection circuit, even though the generation of the reset signal or the interrupt request is disabled by $[LVDCR2]<LVDOEN>$.

3.2. Setting

3.2.1. Voltage Detection Control

When the voltage detection circuit is used, the bit for the voltage detection control should be set to enable.

$[LVDCRI]<LVDNEN>=1$ should be set. After setting, it is necessary to wait 200 μ s or more to stabilize the circuit.

3.2.2. Selection of Detected Voltage

$[LVDLVLI]<LVDNLVL[3:0]>$ selects the detected voltage for LVD. After setting, it is necessary to wait 200 μ s to stabilize the comparator circuit.

3.2.3. Selection from Interrupt and Reset

The interrupt request or the reset signal can be selected as the LVD detection output.

The interrupt request is selected by $[LVDCRI]<LVDSSEL>=0$ setting. The reset signal is selected by $[LVDCRI]<LVDSSEL>=1$ setting.

3.2.4. Output Control of Interrupt and Reset

The output of the interrupt request or the reset signal is controlled by *[LVDCR2]<LVDOEN>*.

When the output is enabled, *[LVDCR2]<LVDOEN>=1* should be set.

3.2.5. Status Register

The status of the DVDD3 voltage can be monitored by LVD as the level equal to or more than the setting level, or less.

The status of the DVDD3 voltage should be monitored in *[LVDSR]<LVDNS>*. When *[LVDSR]<LVDNS>* is read, the read should be done more than once until the same data is read twice.

3.2.6. Setting Change

In case of the detected voltage is changed or the output of the selection from the reset signal and the interrupt request is changed, the output should be disabled by setting *[LVDCR2]<LVDOEN>* to “0” at first. Then, the change should be set.

Software should manage the necessary time to change it. After that, the output should be enabled by setting *[LVDCR2]<LVDOEN>* to “1”.

3.3. Detection/release timing

Detection of the voltage detection circuit and releasing operation are shown in the following figure.

1) Power On

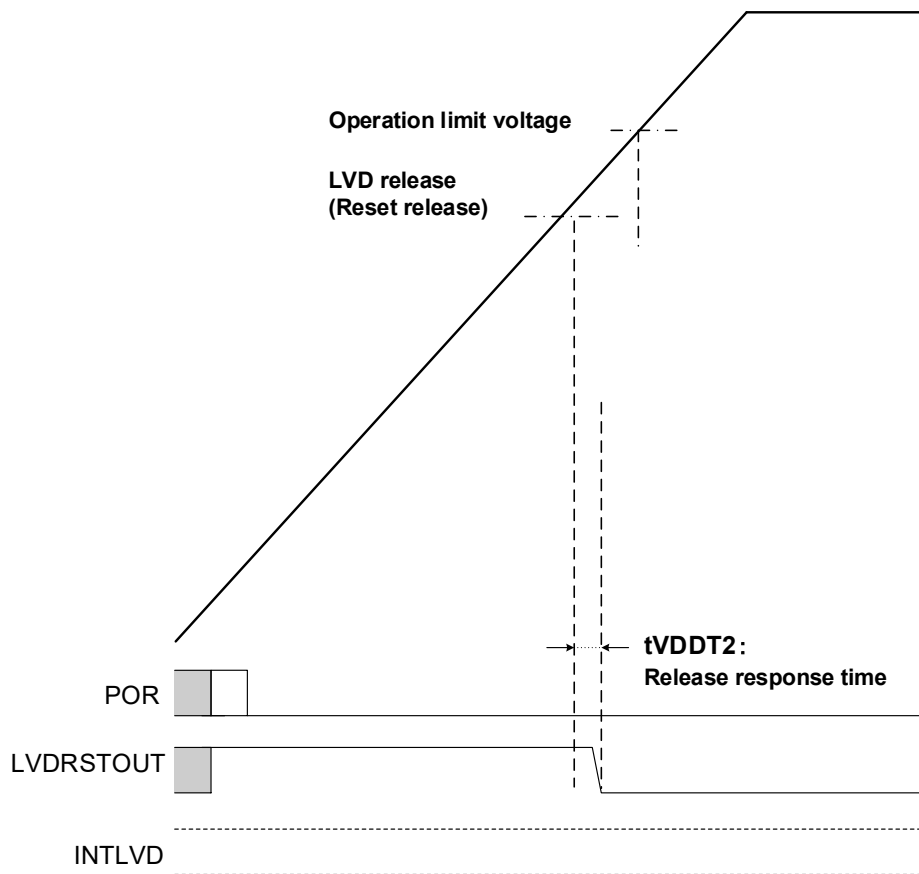


Figure 3.1 LVD release timing

2) LVD detection, Release timing

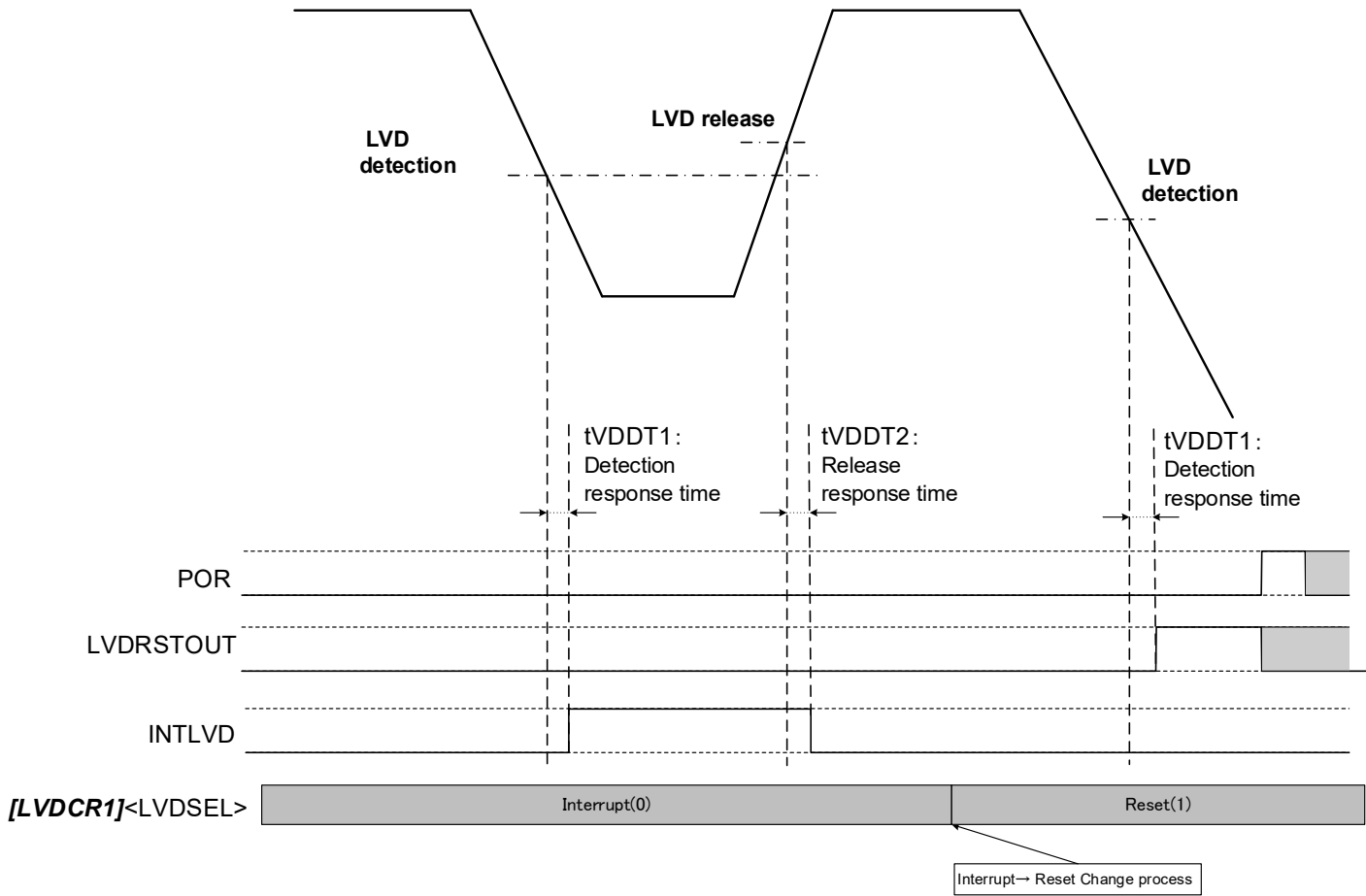


Figure 3.2 LVD detection, Release timing

3) LVD detection Minimum pulse width

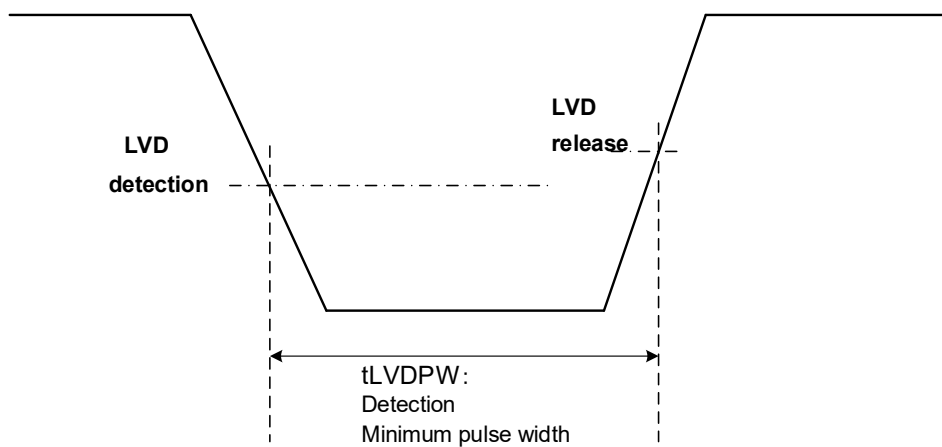


Figure 3.3 LVD detection Minimum pulse width

4. Register explanation

4.1. Register list

The register and address of LVD are shown in the following tables.

Peripheral function		Channel/Unit	Base address	
			TYPE 1	TYPE 2
Voltage detection circuit	LVD	-	0x4003EC00	-

Register name		Base address (Base+)
LVD Control Register 1	[LVDCR1]	0x0000
LVD Control Register 2	[LVDCR2]	0x0001
LVD Detected Voltage Selection Register 1	[LVDLVL1]	0x0002
LVD Status Register	[LVDSR]	0x0004

Note1: The bit-band-access is prohibited. Only Byte access is permission.

Note2: The voltage detection circuit can be initialized by Power On Reset or the external reset pin (RESET_N).

Note3: Do not access addresses that do not have assignments of register.

4.2. Details of a register

4.2.1. [LVDCR1] (LVD Control Register 1)

Bit	Symbol	After Reset	Type	Description
7	-	0	R/W	Write as "0".
6:5	-	0	R	Read as "0".
4	LVDSSEL	1	R/W	Selection from Interrupt request and Reset signal 0: Interrupt request (INTLVD) 1: Reset signal(LVDRSTOUT)
3:2	-	0	R	Read as "0".
1	-	0	R/W	Write as "0".
0	LVDNEN	1	R/W	Operation control of the voltage detection 0: Disabled. 1: Enabled.

4.2.2. [LVDCR2] (LVD Control Register 2)

Bit	Symbol	After Reset	Type	Description
7:1	-	0	R	Read as "0".
0	LVDOEN	1	R/W	Output control of Interrupt request or Reset signal. 0: Disabled. 1: Enabled.

4.2.3. [LVDLVL1] (LVD Detected Voltage Selection Register 1)

Bit	Symbol	After Reset	Type	Description																				
7:4	-	0	R	Read as "0".																				
3:0	LV DN LV L [3:0]	0110	R/W	<table style="width: 100%; border-collapse: collapse;"> <tr> <td style="width: 50%;">Voltage selection</td> <td style="width: 50%;">Reset release voltage</td> </tr> <tr> <td>Detected Voltage</td> <td>Reset release voltage</td> </tr> <tr> <td>0000: 3.100 V</td> <td>0000: 3.150 V</td> </tr> <tr> <td>0001: 3.000 V</td> <td>0001: 3.050 V</td> </tr> <tr> <td>0010: 2.900 V</td> <td>0010: 2.950 V</td> </tr> <tr> <td>0011: 2.800 V</td> <td>0011: 2.850 V</td> </tr> <tr> <td>0100: 2.700 V</td> <td>0100: 2.750 V</td> </tr> <tr> <td>0101: 2.640 V</td> <td>0101: 2.690 V</td> </tr> <tr> <td>0110: 2.590 V</td> <td>0110: 2.640 V</td> </tr> <tr> <td colspan="2">Setting 0111 to 1111 is prohibited.</td> </tr> </table>	Voltage selection	Reset release voltage	Detected Voltage	Reset release voltage	0000: 3.100 V	0000: 3.150 V	0001: 3.000 V	0001: 3.050 V	0010: 2.900 V	0010: 2.950 V	0011: 2.800 V	0011: 2.850 V	0100: 2.700 V	0100: 2.750 V	0101: 2.640 V	0101: 2.690 V	0110: 2.590 V	0110: 2.640 V	Setting 0111 to 1111 is prohibited.	
Voltage selection	Reset release voltage																							
Detected Voltage	Reset release voltage																							
0000: 3.100 V	0000: 3.150 V																							
0001: 3.000 V	0001: 3.050 V																							
0010: 2.900 V	0010: 2.950 V																							
0011: 2.800 V	0011: 2.850 V																							
0100: 2.700 V	0100: 2.750 V																							
0101: 2.640 V	0101: 2.690 V																							
0110: 2.590 V	0110: 2.640 V																							
Setting 0111 to 1111 is prohibited.																								

4.2.4. [LVDSR] (LVD Status Register)

Bit	Symbol	After Reset	Type	Description
7:1	-	0	R	Read as "0".
0	LV DNS	Undefined.	R	Detection status 0: Equal to or more than the set voltage 1: Less than the set voltage

5. Revision history

Table5.1 Revision history

Revision	Date	Description
1.0	2020-10-02	First Release

RESTRICTIONS ON PRODUCT USE

Toshiba Corporation and its subsidiaries and affiliates are collectively referred to as "TOSHIBA". Hardware, software and systems described in this document are collectively referred to as "Product".

- TOSHIBA reserves the right to make changes to the information in this document and related Product without notice.
- This document and any information herein may not be reproduced without prior written permission from TOSHIBA. Even with TOSHIBA's written permission, reproduction is permissible only if reproduction is without alteration/omission.
- Though TOSHIBA works continually to improve Product's quality and reliability, Product can malfunction or fail. Customers are responsible for complying with safety standards and for providing adequate designs and safeguards for their hardware, software and systems which minimize risk and avoid situations in which a malfunction or failure of Product could cause loss of human life, bodily injury or damage to property, including data loss or corruption. Before customers use the Product, create designs including the Product, or incorporate the Product into their own applications, customers must also refer to and comply with (a) the latest versions of all relevant TOSHIBA information, including without limitation, this document, the specifications, the data sheets and application notes for Product and the precautions and conditions set forth in the "TOSHIBA Semiconductor Reliability Handbook" and (b) the instructions for the application with which the Product will be used with or for. Customers are solely responsible for all aspects of their own product design or applications, including but not limited to (a) determining the appropriateness of the use of this Product in such design or applications; (b) evaluating and determining the applicability of any information contained in this document, or in charts, diagrams, programs, algorithms, sample application circuits, or any other referenced documents; and (c) validating all operating parameters for such designs and applications. **TOSHIBA ASSUMES NO LIABILITY FOR CUSTOMERS' PRODUCT DESIGN OR APPLICATIONS.**
- **PRODUCT IS NEITHER INTENDED NOR WARRANTED FOR USE IN EQUIPMENTS OR SYSTEMS THAT REQUIRE EXTRAORDINARILY HIGH LEVELS OF QUALITY AND/OR RELIABILITY, AND/OR A MALFUNCTION OR FAILURE OF WHICH MAY CAUSE LOSS OF HUMAN LIFE, BODILY INJURY, SERIOUS PROPERTY DAMAGE AND/OR SERIOUS PUBLIC IMPACT ("UNINTENDED USE").** Except for specific applications as expressly stated in this document, Unintended Use includes, without limitation, equipment used in nuclear facilities, equipment used in the aerospace industry, lifesaving and/or life supporting medical equipment, equipment used for automobiles, trains, ships and other transportation, traffic signaling equipment, equipment used to control combustions or explosions, safety devices, elevators and escalators, and devices related to power plant. **IF YOU USE PRODUCT FOR UNINTENDED USE, TOSHIBA ASSUMES NO LIABILITY FOR PRODUCT.** For details, please contact your TOSHIBA sales representative or contact us via our website.
- Do not disassemble, analyze, reverse-engineer, alter, modify, translate or copy Product, whether in whole or in part.
- Product shall not be used for or incorporated into any products or systems whose manufacture, use, or sale is prohibited under any applicable laws or regulations.
- The information contained herein is presented only as guidance for Product use. No responsibility is assumed by TOSHIBA for any infringement of patents or any other intellectual property rights of third parties that may result from the use of Product. No license to any intellectual property right is granted by this document, whether express or implied, by estoppel or otherwise.
- **ABSENT A WRITTEN SIGNED AGREEMENT, EXCEPT AS PROVIDED IN THE RELEVANT TERMS AND CONDITIONS OF SALE FOR PRODUCT, AND TO THE MAXIMUM EXTENT ALLOWABLE BY LAW, TOSHIBA (1) ASSUMES NO LIABILITY WHATSOEVER, INCLUDING WITHOUT LIMITATION, INDIRECT, CONSEQUENTIAL, SPECIAL, OR INCIDENTAL DAMAGES OR LOSS, INCLUDING WITHOUT LIMITATION, LOSS OF PROFITS, LOSS OF OPPORTUNITIES, BUSINESS INTERRUPTION AND LOSS OF DATA, AND (2) DISCLAIMS ANY AND ALL EXPRESS OR IMPLIED WARRANTIES AND CONDITIONS RELATED TO SALE, USE OF PRODUCT, OR INFORMATION, INCLUDING WARRANTIES OR CONDITIONS OF MERCHANTABILITY, FITNESS FOR A PARTICULAR PURPOSE, ACCURACY OF INFORMATION, OR NONINFRINGEMENT.**
- Do not use or otherwise make available Product or related software or technology for any military purposes, including without limitation, for the design, development, use, stockpiling or manufacturing of nuclear, chemical, or biological weapons or missile technology products (mass destruction weapons). Product and related software and technology may be controlled under the applicable export laws and regulations including, without limitation, the Japanese Foreign Exchange and Foreign Trade Law and the U.S. Export Administration Regulations. Export and re-export of Product or related software or technology are strictly prohibited except in compliance with all applicable export laws and regulations.
- Please contact your TOSHIBA sales representative for details as to environmental matters such as the RoHS compatibility of Product. Please use Product in compliance with all applicable laws and regulations that regulate the inclusion or use of controlled substances, including without limitation, the EU RoHS Directive. **TOSHIBA ASSUMES NO LIABILITY FOR DAMAGES OR LOSSES OCCURRING AS A RESULT OF NONCOMPLIANCE WITH APPLICABLE LAWS AND REGULATIONS.**