

32-bit RISC Microcontroller

TXZ+ Family

Reference Manual Trimming Circuit (TRM-B)

Revision 1.3

2021-03

TOSHIBA ELECTRONIC DEVICES & STORAGE CORPORATION

Contents

Preface	4
Related document.....	4
Conventions	5
Terms and Abbreviations	7
1. Outlines	8
2. Configuration.....	8
3. Function and Operation	9
3.1. Adjustment	9
3.2. Adjustment Range	9
4. Registers	11
4.1. List of Registers	11
4.2. Register Description.....	12
4.2.1. [TRMOSCPRO] (Protection Register)	12
4.2.2. [TRMOSCEN] (User Trimming Value Enable Register).....	12
4.2.3. [TRMOSCINIT0] (Initial Trimming Value Monitor Register 0)	13
4.2.4. [TRMOSCINIT1] (Initial Trimming Value Monitor Register 1)	13
4.2.5. [TRMOSCINIT2] (Initial Trimming Value Monitor Register 2)	13
4.2.6. [TRMOSCSET0] (User Trimming Value Setting Register 0).....	14
4.2.7. [TRMOSCSET1] (User Trimming Value Setting Register 1).....	14
4.2.8. [TRMOSCSET2] (User Trimming Value Setting Register 2).....	14
5. Usage Example.....	15
5.1. Internal oscillation frequency trimming using 32-bit Timer Event Counter (T32A)	15
5.1.1. Input of Reference Clock to T32AxINx Pin.....	15
5.1.2. Input of fs on ch4 in Timer A.....	17
6. Precaution for Usage	18
7. Revision History	19
RESTRICTIONS ON PRODUCT USE.....	20

List of Figures

Figure 2.1	Trimming circuit Configuration	8
Figure 5.1	Example: Input of Reference Clock to T32AxINAx Pin	15
Figure 5.2	Example: Input of fs on ch4 in Timer A.....	17

List of Tables

Table 3.1	Adjustment range of the trimming (Sampled value)	10
Table 7.1	Revision History	19

Preface

Related document

Document name
Clock Control and Operation Mode
32-bit Timer Event Counter

Conventions

- Numeric formats follow the rules as shown below:
 - Hexadecimal: 0xABC
 - Decimal: 123 or 0d123 – Only when it needs to be explicitly shown that they are decimal numbers.
 - Binary: 0b111 – It is possible to omit the "0b" when the number of bit can be distinctly understood from a sentence.
- "_N" is added to the end of signal names to indicate low active signals.
- It is called "assert" that a signal moves to its active level, "deassert" to its inactive level.
- When two or more signal names are referred, they are described like as [m: n].
Example: S[3: 0] shows four signal names S3, S2, S1 and S0 together.
- The characters surrounded by [] defines the register.
Example: [ABCD]
- "n" substitutes suffix number of two or more same kind of registers, fields, and bit names.
Example: [XYZ1], [XYZ2], [XYZ3] → [XYZn]
- "x" substitutes suffix number or character of two or more same kind of units and channels in same register name in the Register List.
In case of unit, "x" means A, B, and C ..
Example: [ADACR0], [ADBCR0], [ADCCR0] → [ADxCR0]
In case of channel, "x" means 0, 1, and 2 ..
Example: [T32A0RUNA], [T32A1RUNA], [T32A2RUNA] → [T32AxRUNA]
- The bit range of a register is written like as [m: n].
Example: Bit[3: 0] expresses the range of bit 3 to 0.
- The configuration value of a register is expressed by either the hexadecimal number or the binary number.
Example: [ABCD].EFG = 0x01 (hexadecimal), [XYZn].VW = 1 (binary)
- Word and Byte represent the following bit length.
 - Byte: 8 bits
 - Half word: 16 bits
 - Word: 32 bits
 - Double word: 64 bits
- Properties of each bit in a register are expressed as follows:
 - R: Read only
 - W: Write only
 - R/W: Read and Write are possible
- Unless otherwise specified, register access supports only word access.
- The register defined as reserved must not be rewritten. Moreover, do not use the read value.
- The value read from the bit having default value of "-" is unknown.
- When a register containing both of writable bits and read-only bits is written, read-only bits should be written with their default value, In the cases that default is "-", follow the definition of each register.
- Reserved bits of the Write-only register should be written with their default value. In the cases that default is "-", follow the definition of each register.
- Do not use read-modified-write processing to the register of a definition which is different by writing and read out.

All other company names, product names, and service names mentioned herein may be trademarks of their respective companies.

Terms and Abbreviations

Some of abbreviations used in this document are as follows:

CG	Clock control and Operation Mode
TRM	Trimming circuit

The TXZ+ family has the trimming function to adjust the frequency of the internal high speed oscillator.

1. Outlines

The trimming circuit (TRM) can adjust the internal oscillator frequency.

The lists of functions are as follows.

Function Classification	Function	Operation
Frequency adjustment of the internal oscillator	Target oscillator	Internal High Speed Oscillator 1 (IHOSC1)
	Adjustment range	Trimming -9.07 to +9.00 % (Average 0.07 % step)
	Monitor function	The reading of the initial trimming value is possible. The reading of the valid trimming value is possible.
Protection	Protection function	Incorrect writing is prevented.

2. Configuration

The configuration of the trimming circuit is shown as follows.

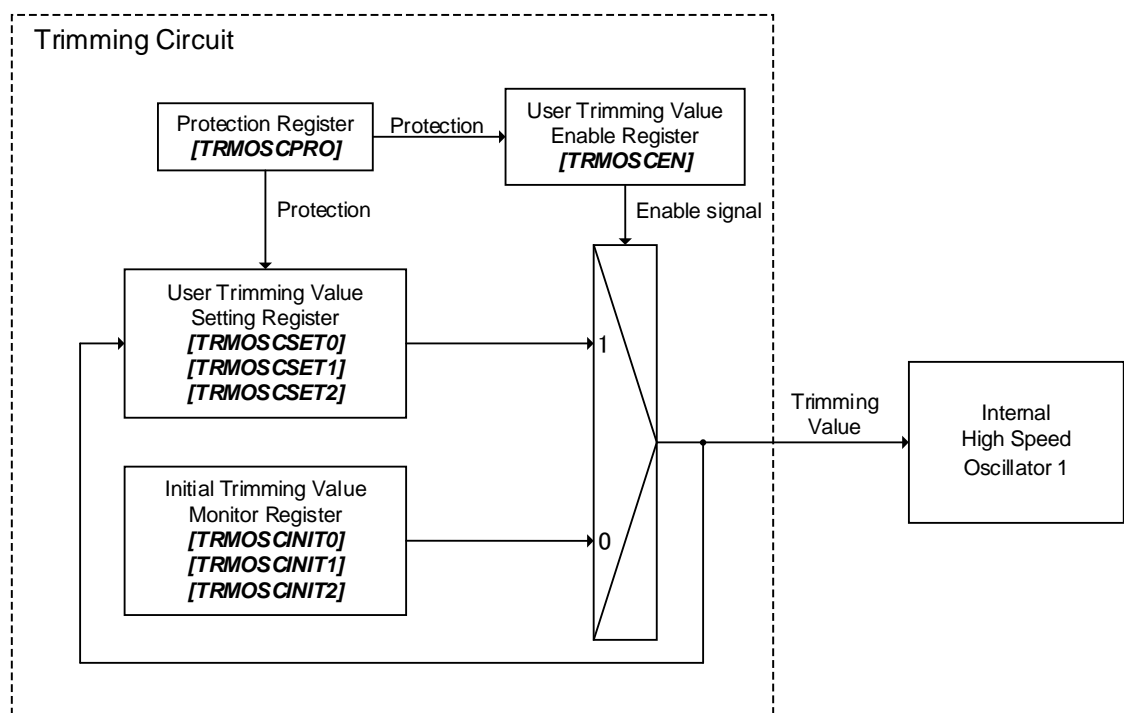


Figure 2.1 Trimming circuit Configuration

3. Function and Operation

The Internal High Speed Oscillator 1(IHOSC1) frequency for the system clocks can be adjusted by the trimming circuit (TRM). The initial trimming level monitor register (*[TRMOSCINIT]*) can confirm the value that a factory trimmed before shipment.

When you use TRM, please set an applicable clock enable bit to "1" (clock supply) in fsys supply stop register A(*[CGFSYSENA]*, *[CGFSYSMENA]*), fsys supply stop register B(*[CGFSYSENB]*, *[CGFSYSMENB]*), fsys supply stop register C(*[CGFSYSMENC]*), and fc supply stop registers (*[CGFCEN]*).

The corresponding registers and the bit locations depend on a product. Some products do not have all registers. For the details, refer to Reference manual "Clock Control and Operation Mode".

3.1. Adjustment

As for *[TRMOSCSET0]*, *[TRMOSCSET1]*, *[TRMOSCSET2]*(user trimming value setting register 0, 1, 2) and *[TRMOSCEN]* (user trimming value enabling register), the protection is carried out after reset. And the writing is forbidden. In order to write in, please write "0xC1" in *[TRMOSCPRO]*<PROTECT> (protection register), and remove the protection.

Also, initialization is required when using the trimming circuit.

Initialization procedure:

- (1) *[TRMOSCPRO]*<PROTECT[7:0]> = 0xC1 ; Protect function release.
- (2) *[TRMOSCSET0]* ← *[TRMOSINIT0]* ; Read the initial value of *[TRMOSCINIT0]* and write it to *[TRMOSCSET0]*.
- (3) *[TRMOSCSET1]* ← *[TRMOSINIT1]* ; Read the initial value of *[TRMOSCINIT1]* and write it to *[TRMOSCSET1]*.
- (4) *[TRMOSCSET2]* ← *[TRMOSINIT2]* ; Read the initial value of *[TRMOSCINIT2]* and write it to *[TRMOSCSET2]*.
- (5) *[TRMOSCPRO]*<PROTECT[7:0]> = 0x00 ; Protect set.

To adjust the frequency, set *[TRMOSCSET0]* to the trimming value.

When *[TRMOSCEN]*<TRIMEN> is set to "1", the trimming value is updated in a user trimming value from an initial trimming value.

Oscillating frequency is varied by change of temperature or power supply voltage, the stress from the outside, etc. Therefore, please perform trimming before operation in which the accuracy of frequency is needed, or regularly.

3.2. Adjustment Range

About the adjustment range, the trimming is available for the adjustment of 256 steps. Please perform the setup by *[TRMOSCSET0]*<TRIMSET0[7:0]>.

Please refer to "Table 3.1 Adjustment range of the trimming (Sampled value)" for the range of adjustment.

Table 3.1 Adjustment range of the trimming (Sampled value)

Trimming			
+ Value		- Value	
<TRIMSET0[7:0]>	Frequency Change (typ.)	<TRIMSET0[7:0]>	Frequency Change (typ.)
01111111	9.00 %	11111111	-0.07 %
01111110	8.93 %	11111110	-0.14 %
01111101	8.86 %	11111101	-0.21 %
01111100	8.79 %	11111100	-0.28 %
01111011	8.72 %	11111011	-0.35 %
01111010	8.65 %	11111010	-0.43 %
01111001	8.57 %	11111001	-0.50 %
⋮	⋮	⋮	⋮
01100011	7.02 %	11100011	-2.06 %
01100010	6.94 %	11100010	-2.13 %
01100001	6.87 %	11100001	-2.20 %
01100000	6.80 %	11100000	-2.27 %
⋮	⋮	⋮	⋮
01001010	5.24 %	11001010	-3.83 %
01001001	5.17 %	11001001	-3.90 %
01001000	5.10 %	11001000	-3.97 %
01000111	5.03 %	11000111	-4.04 %
⋮	⋮	⋮	⋮
00110010	3.54 %	10110010	-5.53 %
00110001	3.47 %	10110001	-5.60 %
00110000	3.40 %	10110000	-5.67 %
00101111	3.33 %	10101111	-5.74 %
⋮	⋮	⋮	⋮
00011001	1.77 %	10011001	-7.30 %
00011000	1.70 %	10011000	-7.37 %
00010111	1.63 %	10010111	-7.44 %
00010110	1.56 %	10010110	-7.51 %
⋮	⋮	⋮	⋮
00000110	0.43 %	10000110	-8.65 %
00000101	0.35 %	10000101	-8.72 %
00000100	0.28 %	10000100	-8.79 %
00000011	0.21 %	10000011	-8.86 %
00000010	0.14 %	10000010	-8.93 %
00000001	0.07 %	10000001	-9.00 %
00000000	0.00 %	10000000	-9.07 %

4. Registers

The trimming registers for the Internal High Speed Oscillator 1 (IHOSC1) are described below.

4.1. List of Registers

The trimming control registers and their addresses for the Internal High Speed Oscillator 1 (IHOSC1) are shown as follows:

Peripheral function		Channel/Unit	Base address		
			TYPE 1	TYPE 2	TYPE3
Trimming Circuit	TRM	-	0x400F3200	0x400E3100	0x40083100

Note: The Channel/Unit and Base address type are different by products. Please refer to Reference manual "Product Information" for the details.

Register Name		Base Address (Base+)
Protection Register	<i>[TRMOSCPRO]</i>	0x0000
User Trimming Value Enable Register	<i>[TRMOSCEN]</i>	0x0004
Initial Trimming Value Monitor Register 0	<i>[TRMOSCINIT0]</i>	0x0010
Initial Trimming Value Monitor Register 1	<i>[TRMOSCINIT1]</i>	0x0014
Initial Trimming Value Monitor Register 2	<i>[TRMOSCINIT2]</i>	0x0018
User Trimming Value Setting Register 0	<i>[TRMOSCSET0]</i>	0x0020
User Trimming Value Setting Register 1	<i>[TRMOSCSET1]</i>	0x0024
User Trimming Value Setting Register 2	<i>[TRMOSCSET2]</i>	0x0028

4.2. Register Description

4.2.1. [TRMOSCPRO] (Protection Register)

Bit	Bit Symbol	After Reset	Type	Function
31:8	-	0	R	Read as "0"
7:0	PROTECT[7:0]	0x00	R/W	Protect control 0xC1: Protect function release. Other than 0xC1: Protect set

4.2.2. [TRMOSCEN] (User Trimming Value Enable Register)

Bit	Bit Symbol	After Reset	Type	Function
31:1	-	0	R	Read as "0"
0	TRIMEN	0	R/W	User trimming value enable control 0: Disabled (Use initial trimming value) 1: Enabled (Use user trimming value)

Note: When the first setting <TRIME> to "1" after releasing reset, set the value read from [TRMOSCINIT0] to [TRMOSCINIT2] is set into [TRMOSCSET0] to [TRMOSCSET2].

4.2.3. [TRMOSCINIT0] (Initial Trimming Value Monitor Register 0)

Bit	Bit Symbol	After Reset	Type	Function
31:9	-	0	R	Read as "0"
8:1	TRIMINIT0[7:0]	Undefined	R	Initial trimming value. The trimming value at the time of shipment is read.
0	-	Undefined	R	Read as "undefined value"

Note: When using the user trimming value, read this register value as the initial setting and write it to [TRMOSCSET0].

4.2.4. [TRMOSCINIT1] (Initial Trimming Value Monitor Register 1)

Bit	Bit Symbol	After Reset	Type	Function
31:0	TRIMINIT1[31:0]	Undefined	R	Trimming initial setting value

Note: When using the user trimming value, read this register value as the initial setting and write it to [TRMOSCSET1].

4.2.5. [TRMOSCINIT2] (Initial Trimming Value Monitor Register 2)

Bit	Bit Symbol	After Reset	Type	Function
31:0	TRIMINIT2[31:0]	Undefined	R	Trimming initial setting value

Note: When using the user trimming value, read this register value as the initial setting and write it to [TRMOSCSET2].

4.2.6. [TRMOSCSET0] (User Trimming Value Setting Register 0)

Bit	Bit Symbol	After Reset	Type	Function
31:9	-	0	R	Read as "0"
8:1	TRIMSET0[7:0]	Undefined	R	- When [TRMOSCEN]<TRIMEN>=0: The initial trimming value of [TRMOSCINIT0]<TRIMINIT0[7:0]> is read. - When [TRMOSCEN]<TRIMEN>=1: The user trimming value is read.
			W	Set the user trimming value.
0	-	Undefined	R	- When [TRMOSCEN]<TRIMEN>=0: The value of Bit 0 of [TRMOSCINIT0] is read. - When [TRMOSCEN]<TRIMEN>=1: The written value is read.
			W	Write as "0"

4.2.7. [TRMOSCSET1] (User Trimming Value Setting Register 1)

Bit	Bit Symbol	After Reset	Type	Function
31:0	TRIMSET1[31:0]	Undefined	R	- When [TRMOSCEN]<TRIMEN>=0: The initial trimming value of [TRMOSCINIT1] is read. - When [TRMOSCEN]<TRIMEN>=1: The written value is read.
			W	Trimming initial setting value Write the initial value of [TRMOSCINIT1].

4.2.8. [TRMOSCSET2] (User Trimming Value Setting Register 2)

Bit	Bit Symbol	After Reset	Type	Function
31:0	TRIMSET2[31:0]	Undefined	R	- When [TRMOSCEN]<TRIMEN>=0: The initial trimming value of [TRMOSCINIT2] is read. - When [TRMOSCEN]<TRIMEN>=1: The written value is read.
			W	Trimming initial setting value Write the initial value of [TRMOSCINIT2].

5. Usage Example

5.1. Internal oscillation frequency trimming using 32-bit Timer Event Counter (T32A)

A pulse width measurement function of the T32A can be used to measure frequencies of the Internal High Speed Oscillator 1.

For more information about the T32A, please refer to Reference manual "32-bit Timer Event Counter".

5.1.1. Input of Reference Clock to T32AxINAx Pin

Set the prescaler output ($\Phi T0$) as the count clock of the T32A. And the Internal High Speed Oscillator 1 is selected.

The reference clock is input to the T32AxINAx pin. Using the pulse width measurement function, the up counter value is captured on the rising edge of the reference clock.

The trimming value is calculated with the difference between the frequency of the captured reference clock and the frequency of the input reference clock.

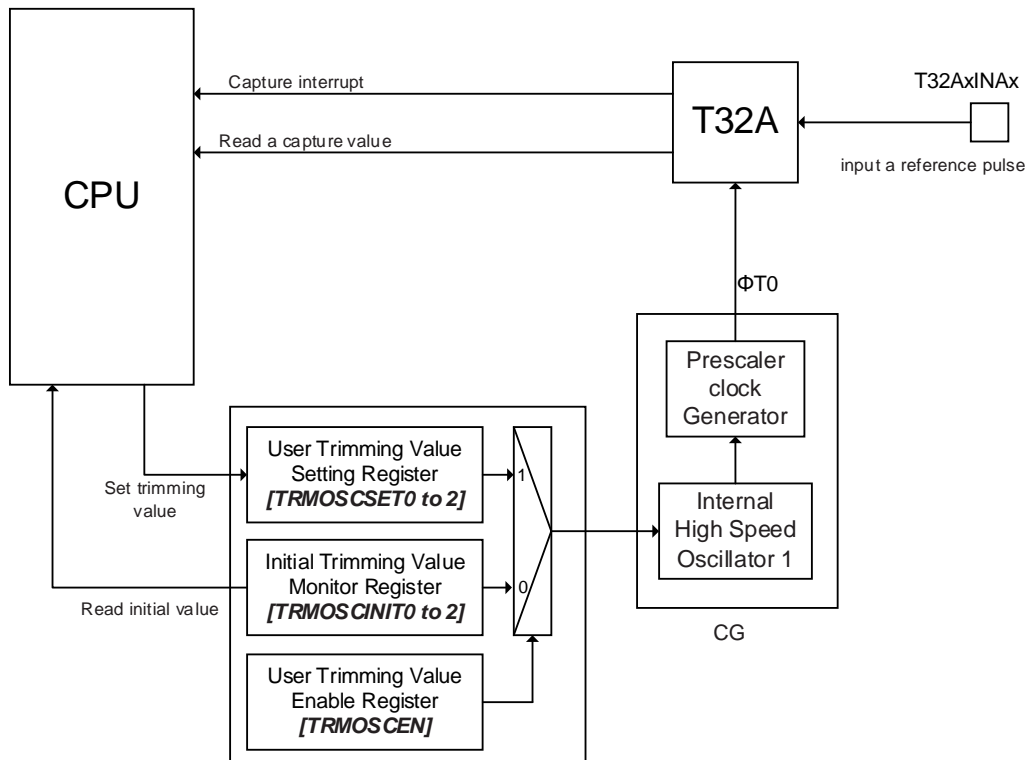


Figure 5.1 Example: Input of Reference Clock to T32AxINAx Pin

A trimming level calculation and a setting example:

<Conditions>

- Reference clock frequency: 10Hz (Input clock to the T32AxINAx pin)
- Prescaler value: 1/16 ($\Phi T0$ fc = Internal High Speed Oscillator 1 frequency)
- Prescaler division value in T32A: 1/1 (Capture trigger clock)
- Input to the T32AxINAx pin: Capture setting (CAPA0:Rising edge is selected)

(1) In the case of pulse width calculated value = 0xEBC1 (= 60353), it is at the one cycle of the reference signal.:

The frequency of the Internal High Speed Oscillator 1 is calculated as follows.

$$\begin{aligned} \text{Internal high speed oscillator 1 frequency} &= \frac{1}{(1 / \text{Reference clock frequency}) / (\text{Pulse width calculated value}) / (1 / \text{Prescaler value})} \\ &= \frac{1}{(1/10 \text{ Hz}) / (60353) / (1/(1/16))} \\ &= 9.656\text{MHz} \end{aligned}$$

(2) The difference from the target frequency (10MHz) of the Internal High Speed Oscillator 1 is calculated..

- Frequency deviation (%) = $1 - ((\text{Pre-adjustment frequency}) / (\text{Reference clock frequency}))$
 $= 1 - (9.656\text{MHz} / 10\text{MHz})$
 $= 0.0344 = 3.44\%$

(3) The trimming values are selected in Table 3.1. The trimming value should be close to the calculated frequency deviation (%) of 3.44%. Those values should be set to the User Trimming Value Setting Register (*[TRMOSCSET0]*).

- Trimming value: 3.47 % <TRIMSET0[7:0]> = 00110001

(4) The user trimming level is output to Internal High Speed Oscillator 1 by setting "1" to the *[TRMOSCEN]*<TRIMEN> after having set a trimming value.

(5) When the frequency error is calculated again and the target frequency range is not satisfied, repeat the above operation until the target frequency range is reached. However, perform it while *[TRMOSCEN]*<TRIMEN> remains "1".

Note1: To calculate the frequency error, set *[TRMOSCEN]*<TRIMEN> to "1", or set *[TRMOSCSET0]* to the trimming value when *[TRMOSCEN]*<TRIMEN> is "1". Wait for the oscillation stabilization time (163.4 μ s or more), and then use the captured value. For the oscillation stabilization time, refer to Reference manual "Clock Control and Operation Mode".

Note2: When adjusting the trimming of the Internal High Speed Oscillator 1, do not select "PLL output" as the clock for fsys.

Please write the data other than "0xC1" in protection control register *[TRMOSCPRO]*<PROTECT> to enable the protection function after the end of trimming.

5.1.2. Input of fs on ch4 in Timer A

As for the following explanation, fs is connected to the internal trigger input of the T32A ch4 timer A, and the timer A output is connected to the internal trigger input of the timer B, for example.

The fs is chosen as the internal trigger input of the timer A of T32A ch4, and the count clock of the timer A is set to the internal trigger (fs). By matching the count value(n) of the timer register A1 with the counter, invert the timer output A to create the reference signal (= fs / 2n). The output of ch4 of timer A is connected to ch4 of timer B. Set the count clock of timer B of T32A ch4 to the prescaler output and, as ΦT0, chooses the Internal High Speed Oscillator 1. In addition, enable the pulse width measurement function of timer B and capture the value of the up counter in rising edge of the standard signal from timer A.

The trimming value is calculated with the difference between the frequency of the captured reference clock and the frequency of the input reference clock.

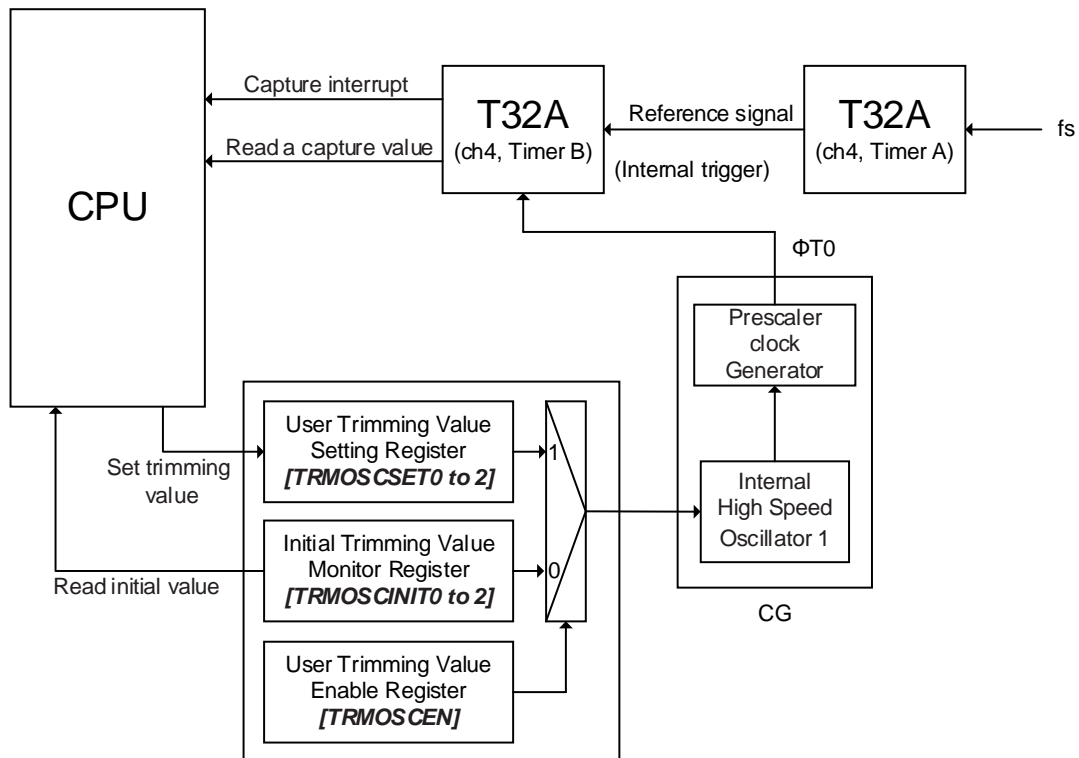


Figure 5.2 Example: Input of fs on ch4 in Timer A

6. Precaution for Usage

- The addresses to which no registers are assigned should not be accessed.

7. Revision History

Table 7.1 Revision History

Revision	Date	Description
1.0	2020-10-01	First release
1.1	2021-01-29	Added "Note 1" and "Note 2" to section 5.1.1.
1.2	2021-02-18	Corrected table in section 1. Added "Note" to section 4.2.2. Corrected "Note" in section 4.2.3 to 4.2.5.
1.3	2021-03-29	Corrected "Note 1" in section 5.1.1.

RESTRICTIONS ON PRODUCT USE

Toshiba Corporation and its subsidiaries and affiliates are collectively referred to as "TOSHIBA". Hardware, software and systems described in this document are collectively referred to as "Product".

- TOSHIBA reserves the right to make changes to the information in this document and related Product without notice.
- This document and any information herein may not be reproduced without prior written permission from TOSHIBA. Even with TOSHIBA's written permission, reproduction is permissible only if reproduction is without alteration/omission.
- Though TOSHIBA works continually to improve Product's quality and reliability, Product can malfunction or fail. Customers are responsible for complying with safety standards and for providing adequate designs and safeguards for their hardware, software and systems which minimize risk and avoid situations in which a malfunction or failure of Product could cause loss of human life, bodily injury or damage to property, including data loss or corruption. Before customers use the Product, create designs including the Product, or incorporate the Product into their own applications, customers must also refer to and comply with (a) the latest versions of all relevant TOSHIBA information, including without limitation, this document, the specifications, the data sheets and application notes for Product and the precautions and conditions set forth in the "TOSHIBA Semiconductor Reliability Handbook" and (b) the instructions for the application with which the Product will be used with or for. Customers are solely responsible for all aspects of their own product design or applications, including but not limited to (a) determining the appropriateness of the use of this Product in such design or applications; (b) evaluating and determining the applicability of any information contained in this document, or in charts, diagrams, programs, algorithms, sample application circuits, or any other referenced documents; and (c) validating all operating parameters for such designs and applications. **TOSHIBA ASSUMES NO LIABILITY FOR CUSTOMERS' PRODUCT DESIGN OR APPLICATIONS.**
- **PRODUCT IS NEITHER INTENDED NOR WARRANTED FOR USE IN EQUIPMENTS OR SYSTEMS THAT REQUIRE EXTRAORDINARILY HIGH LEVELS OF QUALITY AND/OR RELIABILITY, AND/OR A MALFUNCTION OR FAILURE OF WHICH MAY CAUSE LOSS OF HUMAN LIFE, BODILY INJURY, SERIOUS PROPERTY DAMAGE AND/OR SERIOUS PUBLIC IMPACT ("UNINTENDED USE").** Except for specific applications as expressly stated in this document, Unintended Use includes, without limitation, equipment used in nuclear facilities, equipment used in the aerospace industry, lifesaving and/or life supporting medical equipment, equipment used for automobiles, trains, ships and other transportation, traffic signaling equipment, equipment used to control combustions or explosions, safety devices, elevators and escalators, and devices related to power plant. **IF YOU USE PRODUCT FOR UNINTENDED USE, TOSHIBA ASSUMES NO LIABILITY FOR PRODUCT.** For details, please contact your TOSHIBA sales representative or contact us via our website.
- Do not disassemble, analyze, reverse-engineer, alter, modify, translate or copy Product, whether in whole or in part.
- Product shall not be used for or incorporated into any products or systems whose manufacture, use, or sale is prohibited under any applicable laws or regulations.
- The information contained herein is presented only as guidance for Product use. No responsibility is assumed by TOSHIBA for any infringement of patents or any other intellectual property rights of third parties that may result from the use of Product. No license to any intellectual property right is granted by this document, whether express or implied, by estoppel or otherwise.
- **ABSENT A WRITTEN SIGNED AGREEMENT, EXCEPT AS PROVIDED IN THE RELEVANT TERMS AND CONDITIONS OF SALE FOR PRODUCT, AND TO THE MAXIMUM EXTENT ALLOWABLE BY LAW, TOSHIBA (1) ASSUMES NO LIABILITY WHATSOEVER, INCLUDING WITHOUT LIMITATION, INDIRECT, CONSEQUENTIAL, SPECIAL, OR INCIDENTAL DAMAGES OR LOSS, INCLUDING WITHOUT LIMITATION, LOSS OF PROFITS, LOSS OF OPPORTUNITIES, BUSINESS INTERRUPTION AND LOSS OF DATA, AND (2) DISCLAIMS ANY AND ALL EXPRESS OR IMPLIED WARRANTIES AND CONDITIONS RELATED TO SALE, USE OF PRODUCT, OR INFORMATION, INCLUDING WARRANTIES OR CONDITIONS OF MERCHANTABILITY, FITNESS FOR A PARTICULAR PURPOSE, ACCURACY OF INFORMATION, OR NONINFRINGEMENT.**
- Do not use or otherwise make available Product or related software or technology for any military purposes, including without limitation, for the design, development, use, stockpiling or manufacturing of nuclear, chemical, or biological weapons or missile technology products (mass destruction weapons). Product and related software and technology may be controlled under the applicable export laws and regulations including, without limitation, the Japanese Foreign Exchange and Foreign Trade Law and the U.S. Export Administration Regulations. Export and re-export of Product or related software or technology are strictly prohibited except in compliance with all applicable export laws and regulations.
- Please contact your TOSHIBA sales representative for details as to environmental matters such as the RoHS compatibility of Product. Please use Product in compliance with all applicable laws and regulations that regulate the inclusion or use of controlled substances, including without limitation, the EU RoHS Directive. **TOSHIBA ASSUMES NO LIABILITY FOR DAMAGES OR LOSSES OCCURRING AS A RESULT OF NONCOMPLIANCE WITH APPLICABLE LAWS AND REGULATIONS.**