

TC74LCXR163245

1. Functional Description

- 16-Bit Dual Supply Bus Transceiver with Series Resistor

2. General

The TC74LCXR163245 is a dual supply, advanced high-speed CMOS 16-bit dual supply voltage interface bus transceiver fabricated with silicon gate CMOS technology.

Designed for use as an interface between a 3.3 V or a 2.5 V bus and a 5 V bus in mixed 3.3 V or 2.5 V / 5 V supply systems, it achieves high-speed operation while maintaining the CMOS low power dissipation.

It is intended for two-way asynchronous communication between data busses. The direction of data transmission is determined by the level of the DIR input. The enable input (\overline{OE}) can be used to disable the device so that the busses are effectively isolated.

The B-port interfaces with the 3.3 V or 2.5 V bus, the A-port with the 5 V bus.

The 26 Ω series resistor helps reducing output overshoot and undershoot without external resistor.

All inputs are equipped with protection circuits against static discharge or transient excess voltage.

3. Features (Note)

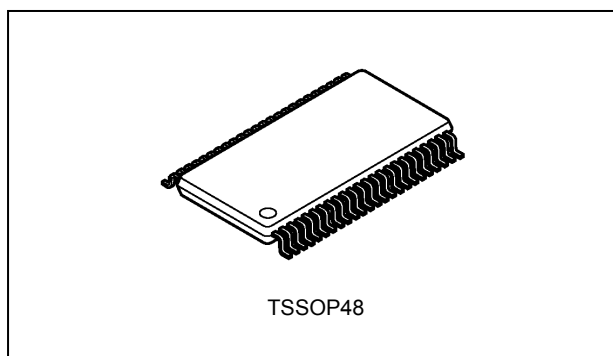
- (1) Operating voltage: 5.0 V-3.3 V / 5.0 V-2.5 V bidirectional interface
- (2) Wide operating temperature range: $T_{opr} = -40$ to 125 °C (Note 1)
- (3) 26 Ω series resistors on outputs
- (4) High-speed operation: $t_{pd} = 8.5$ ns (max) ($V_{CCB} = 3.3 \pm 0.3$ V, $V_{CCA} = 5.0 \pm 0.5$ V, $T_a = -40$ to 85 °C)
- (5) Low power dissipation: $I_{CC} = 80$ μ A (max) at $T_a = -40$ to 85 °C
- (6) Output current: $I_{OUTA} = \pm 12$ mA (min)
 $I_{OUTB} = \pm 12$ mA (min)
 $(V_{CCA} = 4.5$ V / $V_{CCB} = 3.0$ V)
- (7) Power-down protection provided on all inputs and outputs
- (8) Allows A port and V_{CCA} to float simultaneously in high state at \overline{OE} pin
- (9) Package: TSSOP

Note: Do not apply a signal to any bus pins when it is in the output mode. Damage may result.

All floating (high impedance) bus pins must have their input levels fixed by means of pull-up or pull-down resistors.

Note 1: For devices with the ordering part number ending in KF. $T_{opr} = -40$ °C to 85 °C for the other devices.

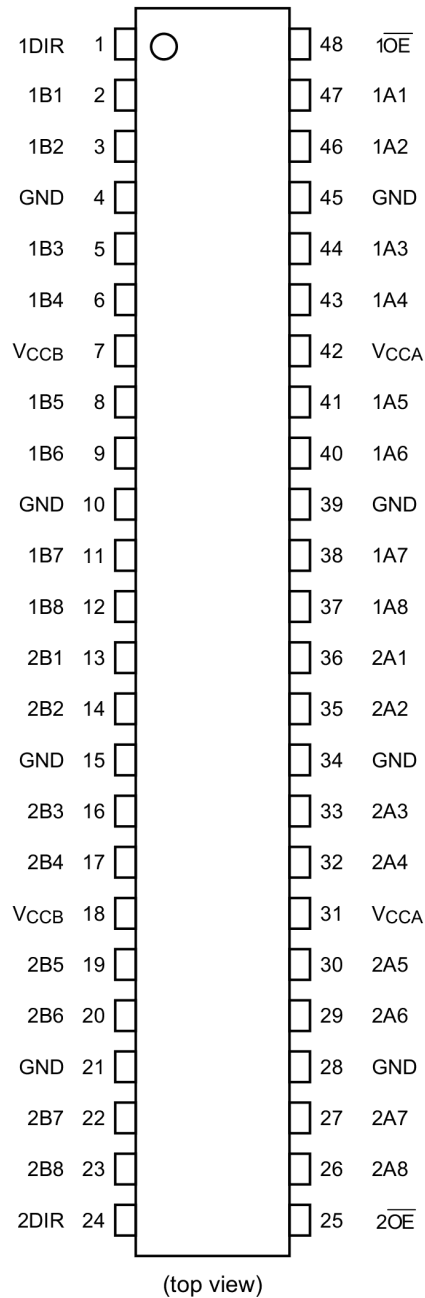
4. Packaging



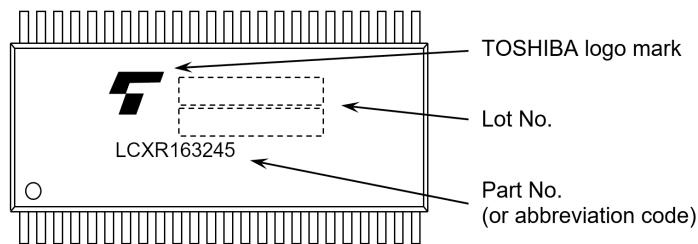
Start of commercial production

2020-01

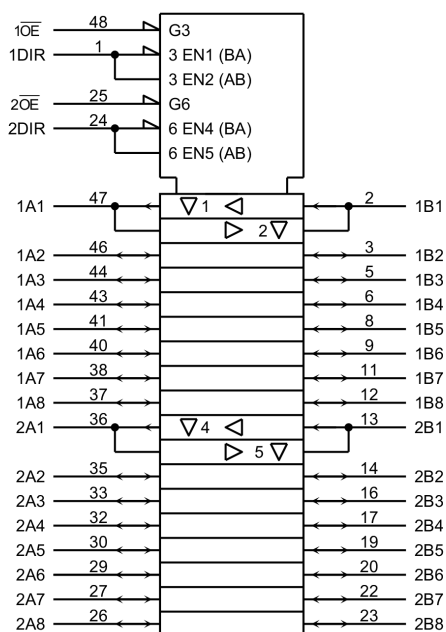
5. Pin Assignment



6. Marking



7. IEC Logic Symbol

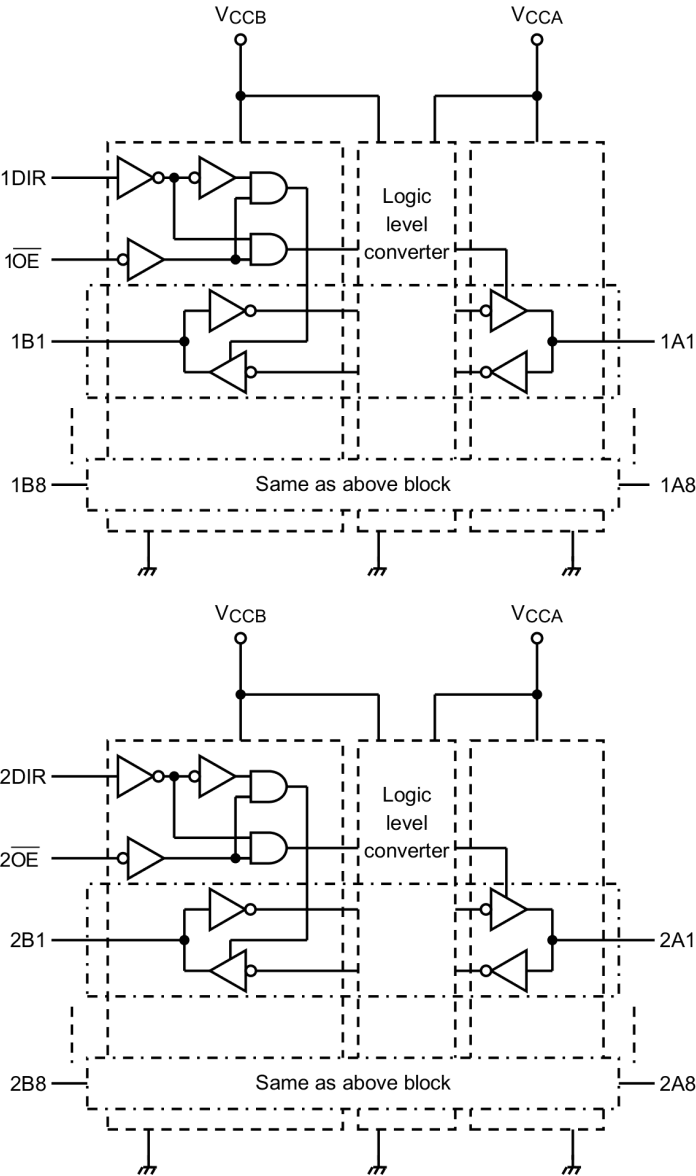


8. Truth Table

Inputs 1OE 2OE	Inputs 1DIR 2DIR	Outputs	Function Bus 1A1-1A8 Bus 2A1-2A8	Function Bus 1B1-1B8 Bus 2B1-2B8
L	L	A = B	Output	Input
L	H	B = A	Input	Output
H	X	Z	Z	Z

X: Don't care
Z: High impedance

9. System Diagram



10. Absolute Maximum Ratings (Note)

Characteristics	Symbol	Note	Rating	Unit
Supply voltage	V_{CCB}	(Note 1)	-0.5 to 7.0	V
	V_{CCA}		-0.5 to 7.0	
Input voltage (DIR/ \overline{OE})	V_{IN}		-0.5 to 7.0	V
Bus I/O voltage	$V_{I/OB}$	(Note 2)	-0.5 to 7.0	V
		(Note 3)	-0.5 to $V_{CCB} + 0.5$	
	$V_{I/OA}$	(Note 2)	-0.5 to 7.0	
		(Note 3)	-0.5 to $V_{CCA} + 0.5$	
Input diode current	I_{IK}		-50	mA
I/O diode current	$I_{I/OK}$	(Note 4)	± 50	mA
Output current	I_{OUTB}		± 50	mA
	I_{OUTA}		± 50	
Power dissipation	P_D	(Note 5)	400	mW
V_{CC} /ground current per supply pin	I_{CCB}		± 100	mA
	I_{CCA}		± 100	
Storage temperature	T_{stg}		-65 to 150	$^{\circ}\text{C}$

Note: Exceeding any of the absolute maximum ratings, even briefly, lead to deterioration in IC performance or even destruction.

Using continuously under heavy loads (e.g. the application of high temperature/current/voltage and the significant change in temperature, etc.) may cause this product to decrease in the reliability significantly even if the operating conditions (i.e. operating temperature/current/voltage, etc.) are within the absolute maximum ratings and the operating ranges.

Please design the appropriate reliability upon reviewing the Toshiba Semiconductor Reliability Handbook ("Handling Precautions"/"Derating Concept and Methods") and individual reliability data (i.e. reliability test report and estimated failure rate, etc).

Note 1: Don't supply a voltage to V_{CCA} terminal when V_{CCB} is in the off-state.

Note 2: Output in OFF state.

Note 3: High (H) or Low (L) state. I_{OUT} absolute maximum rating must be observed.

Note 4: $V_{OUT} < \text{GND}$, $V_{OUT} > V_{CC}$

Note 5: 400 mW in the range of $T_a = -40$ to 85°C . From $T_a = 85$ to 125°C a derating factor of $-6.25 \text{ mW}/^{\circ}\text{C}$ shall be applied until 150 mW.

11. Operating Ranges (Note)

Characteristics	Symbol	Note	Rating	Unit
Supply voltage	V_{CCB}	(Note 1)	2.3 to 3.6	V
	V_{CCA}		4.5 to 5.5	
Input voltage (DIR/ \overline{OE})	V_{IN}		0 to 5.5	V
Bus I/O voltage	$V_{I/OB}$	(Note 2)	0 to 5.5	V
		(Note 3)	0 to V_{CCB}	
	$V_{I/OA}$	(Note 2)	0 to 5.5	
		(Note 3)	0 to V_{CCA}	
Output current	I_{OUTB}	(Note 4)	± 12	mA
		(Note 5)	± 4	
	I_{OUTA}	(Note 6)	± 12	
Operating temperature	T_{opr}	(Note 7)	-40 to 125	$^{\circ}\text{C}$
Input rise and fall times	dt/dv	(Note 8)	0 to 10	ns/V

Note: The operating ranges must be maintained to ensure the normal operation of the device.

Unused inputs and bus inputs must be tied to either V_{CC} or GND. Please connect both bus inputs and the bus outputs with V_{CC} or GND when the I/O of the bus terminal changes by the function. In this case, please note that the output is not short-circuited.

Note 1: Don't use in $V_{CCB} > V_{CCA}$

Note 2: Output in OFF state.

Note 3: High (H) or Low (L) state.

Note 4: $V_{CCB} = 3.0$ to 3.6 V

Note 5: $V_{CCB} = 2.3$ to 2.7 V

Note 6: $V_{CCA} = 4.5$ to 5.5 V

Note 7: For devices with the ordering part number ending in KF. $T_{opr} = -40$ $^{\circ}\text{C}$ to 85 $^{\circ}\text{C}$ for the other devices.

Note 8: $V_{INB} = 0.8$ to 2.0 V, $V_{CCB} = 3.0$ V

$V_{INA} = 0.8$ to 2.0 V, $V_{CCA} = 5.0$ V

12. Electrical Characteristics

12.1. DC Characteristics (Unless otherwise specified, $T_a = -40$ to 85°C)

Characteristics	Symbol	Test Condition	V_{CCB} (V)	V_{CCA} (V)	Min	Max	Unit	
High-level input voltage	V_{IHB}	DIR, \overline{OE} , Bn	2.5 ± 0.2	5.0 ± 0.5	1.7	—	V	
			3.3 ± 0.3	5.0 ± 0.5	2.0	—		
	V_{IHA}	An	2.3 to 3.6	5.0 ± 0.5	2.0	—		
Low-level input voltage	V_{ILB}	DIR, \overline{OE} , Bn	2.5 ± 0.2	5.0 ± 0.5	—	0.7	V	
			3.3 ± 0.3	5.0 ± 0.5	—	0.8		
	V_{ILA}	An	2.3 to 3.6	5.0 ± 0.5	—	0.8		
High-level output voltage	V_{OHB}	$V_{INA} = V_{IHA}$ or V_{ILA} $V_{INB} = V_{IHB}$ or V_{ILB}	$I_{OHB} = -100 \mu\text{A}$	2.3 to 3.6	5.0 ± 0.5	$V_{CCB} - 0.2$	—	V
			$I_{OHB} = -12 \text{ mA}$	3.0	5.0 ± 0.5	2.2	—	
			$I_{OHB} = -4 \text{ mA}$	2.3	5.0 ± 0.5	1.8	—	
	V_{OHA}		$I_{OHA} = -100 \mu\text{A}$	2.3 to 3.6	5.0 ± 0.5	$V_{CCA} - 0.2$	—	
			$I_{OHA} = -12 \text{ mA}$	2.3 to 3.6	4.5	3.7	—	
Low-level output voltage	V_{OLB}	$V_{INA} = V_{IHA}$ or V_{ILA} $V_{INB} = V_{IHB}$ or V_{ILB}	$I_{OLB} = 100 \mu\text{A}$	2.3 to 3.6	5.0 ± 0.5	—	0.2	V
			$I_{OLB} = 12 \text{ mA}$	3.0	5.0 ± 0.5	—	0.8	
			$I_{OLB} = 4 \text{ mA}$	2.3	5.0 ± 0.5	—	0.6	
	V_{OLA}		$I_{OLA} = 100 \mu\text{A}$	2.3 to 3.6	5.0 ± 0.5	—	0.2	
			$I_{OLA} = 12 \text{ mA}$	2.3 to 3.6	4.5	—	0.7	
3-state output OFF-state leakage current	I_{OZB}	$V_{IN} = V_{IHB}$ or V_{ILB} $V_{IOB} = V_{CCB}$ or GND	2.3 to 3.6	5.0 ± 0.5	—	± 5.0	μA	
	I_{OZA}	$V_{IN} = V_{IHB}$ or V_{ILB} $V_{IOA} = V_{CCA}$ or GND	2.3 to 3.6	5.0 ± 0.5	—	± 5.0		
Input leakage current	I_{IN}	V_{IN} (DIR, \overline{OE}) = V_{CCB} or GND	3.6	5.5	—	± 5.0	μA	
Power-OFF leakage current	I_{OFF}	$V_{INA}/V_{INB} = 0$ to 5.5 V	0	0	—	10	μA	
Quiescent supply current	I_{CCB1}	$V_{IOA} = \text{Open}$, $V_{CCA} = \text{Open}$ $V_{INB} = V_{CCB}$ or GND $\overline{OE} = V_{CCB}$, DIR = GND	3.6	Open	—	50	μA	
	I_{CCB2}	$V_{INA} = V_{CCA}$ or GND $V_{INB} = V_{CCB}$ or GND	3.6	5.5	—	50		
	I_{CCA}	$V_{INA} = V_{CCA}$ or GND $V_{INB} = V_{CCB}$ or GND	3.6	5.5	—	80		
	I_{CCTB}	$V_{INB} = V_{CCB} - 0.6 \text{ V}$ (per input)	3.6	5.0 ± 0.5	—	500		
	I_{CCTA}	$V_{INA} = 3.4 \text{ V}$ (per input)	2.3 to 3.6	5.5	—	2.0	mA	

12.2. DC Characteristics (Note) (Unless otherwise specified, $T_a = -40$ to 125 °C)

Characteristics	Symbol	Test Condition	V_{CCB} (V)	V_{CCA} (V)	Min	Max	Unit	
High-level input voltage	V_{IHB}	DIR, \overline{OE} , Bn	2.5 ± 0.2	5.0 ± 0.5	1.7	—	V	
			3.3 ± 0.3	5.0 ± 0.5	2.0	—		
	V_{IHA}	An	2.3 to 3.6	5.0 ± 0.5	2.0	—		
Low-level input voltage	V_{ILB}	DIR, \overline{OE} , Bn	2.5 ± 0.2	5.0 ± 0.5	—	0.7	V	
			3.3 ± 0.3	5.0 ± 0.5	—	0.8		
	V_{ILA}	An	2.3 to 3.6	5.0 ± 0.5	—	0.8		
High-level output voltage	V_{OHB}	$V_{INA} = V_{IHA}$ or V_{ILA} $V_{INB} = V_{IHB}$ or V_{ILB}	$I_{OHB} = -100 \mu A$	2.3 to 3.6	5.0 ± 0.5	$V_{CCB} - 0.2$	—	V
			$I_{OHB} = -12 \text{ mA}$	3.0	5.0 ± 0.5	1.9	—	
			$I_{OHB} = -4 \text{ mA}$	2.3	5.0 ± 0.5	1.55	—	
	V_{OHA}		$I_{OHA} = -100 \mu A$	2.3 to 3.6	5.0 ± 0.5	$V_{CCA} - 0.2$	—	
			$I_{OHA} = -12 \text{ mA}$	2.3 to 3.6	4.5	3.3	—	
Low-level output voltage	V_{OLB}	$V_{INA} = V_{IHA}$ or V_{ILA} $V_{INB} = V_{IHB}$ or V_{ILB}	$I_{OLB} = 100 \mu A$	2.3 to 3.6	5.0 ± 0.5	—	0.2	V
			$I_{OLB} = 12 \text{ mA}$	3.0	5.0 ± 0.5	—	1.1	
			$I_{OLB} = 4 \text{ mA}$	2.3	5.0 ± 0.5	—	0.9	
	V_{OLA}		$I_{OLA} = 100 \mu A$	2.3 to 3.6	5.0 ± 0.5	—	0.2	
			$I_{OLA} = 12 \text{ mA}$	2.3 to 3.6	4.5	—	1.0	
3-state output OFF-state leakage current	I_{OZB}	$V_{IN} = V_{IHB}$ or V_{ILB} $V_{IOB} = V_{CCB}$ or GND	2.3 to 3.6	5.0 ± 0.5	—	± 20.0	μA	
	I_{OZA}	$V_{IN} = V_{IHB}$ or V_{ILB} $V_{IOA} = V_{CCA}$ or GND	2.3 to 3.6	5.0 ± 0.5	—	± 20.0		
Input leakage current	I_{IN}	$V_{IN} (\text{DIR}, \overline{OE}) = V_{CCB}$ or GND	3.6	5.5	—	± 20.0	μA	
Power-OFF leakage current	I_{OFF}	$V_{INA}/V_{INB} = 0$ to 5.5 V	0	0	—	40	μA	
Quiescent supply current	I_{CCB1}	$V_{IOA} = \text{Open}$, $V_{CCA} = \text{Open}$ $V_{INB} = V_{CCB}$ or GND $\overline{OE} = V_{CCB}$, DIR = GND	3.6	Open	—	200	μA	
	I_{CCB2}	$V_{INA} = V_{CCA}$ or GND $V_{INB} = V_{CCB}$ or GND	3.6	5.5	—	200		
	I_{CCA}	$V_{INA} = V_{CCA}$ or GND $V_{INB} = V_{CCB}$ or GND	3.6	5.5	—	320		
	I_{CCTB}	$V_{INB} = V_{CCB} - 0.6 \text{ V}$ (per input)	3.6	5.0 ± 0.5	—	5000		
	I_{CCTA}	$V_{INA} = 3.4 \text{ V}$ (per input)	2.3 to 3.6	5.5	—	2.0	mA	

Note: For devices with the ordering part number ending in KF. $T_{opr} = -40$ °C to 85 °C for the other devices.

12.3. AC Characteristics

(Unless otherwise specified, $T_a = -40$ to 85°C , Input: $t_r = t_f = 2.5$ ns, $R_L = 500 \Omega$)
 $V_{CCB} = 3.3 \pm 0.3$ V

Characteristics	Symbol	Note	Test Condition	C_L (pF)	V_{CCA} (V)	Min	Max	Unit
Propagation delay time (Bn→An)	t_{PLH}, t_{PHL}		Input: Bn Output: An (DIR = "L") See 12.8 AC Test Circuit, Table 12.8.1, Fig. 12.9.1, Fig. 12.9.2, Table 12.9.1	50	5.0 ± 0.5	1.0	7.5	ns
3-state output enable time ($\overline{OE} \rightarrow An$)	t_{PZL}, t_{PZH}			50	5.0 ± 0.5	1.0	9.5	
3-state output disable time ($\overline{OE} \rightarrow An$)	t_{PLZ}, t_{PHZ}			50	5.0 ± 0.5	1.0	9.5	
Propagation delay time (An→Bn)	t_{PLH}, t_{PHL}		Input: An Output: Bn (DIR = "H") See 12.8 AC Test Circuit, Table 12.8.1, Fig. 12.9.1, Fig. 12.9.2, Table 12.9.1	50	5.0 ± 0.5	1.0	8.5	ns
3-state output enable time ($\overline{OE} \rightarrow Bn$)	t_{PZL}, t_{PZH}			50	5.0 ± 0.5	1.0	9.5	
3-state output disable time ($\overline{OE} \rightarrow Bn$)	t_{PLZ}, t_{PHZ}			50	5.0 ± 0.5	1.0	9.5	
Output skew	t_{osLH}, t_{osHL}	(Note 1)	—	50	5.0 ± 0.5	—	1.0	ns

Note 1: Parameter guaranteed by design. ($t_{osLH} = |t_{PLHM} - t_{PLHN}|$, $t_{osHL} = |t_{PHLM} - t_{PHLN}|$)

12.4. AC Characteristics

(Unless otherwise specified, $T_a = -40$ to 85°C , Input: $t_r = t_f = 2.5$ ns, $R_L = 500 \Omega$)
 $V_{CCB} = 2.5 \pm 0.2$ V

Characteristics	Symbol	Note	Test Condition	C_L (pF)	V_{CCA} (V)	Min	Max	Unit
Propagation delay time (Bn→An)	t_{PLH}, t_{PHL}		Input: Bn Output: An (DIR = "L") See 12.8 AC Test Circuit, Table 12.8.1, Fig. 12.9.1, Fig. 12.9.2, Table 12.9.1	50	5.5 ± 0.5	1.0	9.0	ns
3-state output enable time ($\overline{OE} \rightarrow An$)	t_{PZL}, t_{PZH}			50	5.5 ± 0.5	1.0	13.0	
3-state output disable time ($\overline{OE} \rightarrow An$)	t_{PLZ}, t_{PHZ}			50	5.5 ± 0.5	1.0	14.0	
Propagation delay time (An→Bn)	t_{PLH}, t_{PHL}		Input: An Output: Bn (DIR = "H") See 12.8 AC Test Circuit, Table 12.8.1, Fig. 12.9.1, Fig. 12.9.2, Table 12.9.1	30	5.5 ± 0.5	1.0	9.5	ns
3-state output enable time ($\overline{OE} \rightarrow Bn$)	t_{PZL}, t_{PZH}			30	5.5 ± 0.5	1.0	12.5	
3-state output disable time ($\overline{OE} \rightarrow Bn$)	t_{PLZ}, t_{PHZ}			30	5.5 ± 0.5	1.0	10.0	
Output skew	t_{osLH}, t_{osHL}	(Note 1)	—	30 or 50	5.5 ± 0.5	—	1.0	ns

Note 1: Parameter guaranteed by design. ($t_{osLH} = |t_{PLHM} - t_{PLHN}|$, $t_{osHL} = |t_{PHLM} - t_{PHLN}|$)

12.5. AC Characteristics (Note)

(Unless otherwise specified, $T_a = -40$ to 125 °C, Input: $t_r = t_f = 2.5$ ns, $R_L = 500$ Ω)

$V_{CCB} = 3.3 \pm 0.3$ V

Characteristics	Symbol	Note	Test Condition	C_L (pF)	V_{CCA} (V)	Min	Max	Unit
Propagation delay time (Bn→An)	t_{PLH}, t_{PHL}		Input: Bn Output: An (DIR = "L") See 12.8 AC Test Circuit, Table 12.8.1, Fig. 12.9.1, Fig. 12.9.2, Table 12.9.1	50	5.5 ± 0.5	1.0	8.1	ns
3-state output enable time (\overline{OE} →An)	t_{PZL}, t_{PZH}			50	5.5 ± 0.5	1.0	10.2	
3-state output disable time (\overline{OE} →An)	t_{PLZ}, t_{PHZ}			50	5.5 ± 0.5	1.0	10.2	
Propagation delay time (An→Bn)	t_{PLH}, t_{PHL}		Input: An Output: Bn (DIR = "H") See 12.8 AC Test Circuit, Table 12.8.1, Fig. 12.9.1, Fig. 12.9.2, Table 12.9.1	50	5.5 ± 0.5	1.0	9.1	ns
3-state output enable time (\overline{OE} →Bn)	t_{PZL}, t_{PZH}			50	5.5 ± 0.5	1.0	10.2	
3-state output disable time (\overline{OE} →Bn)	t_{PLZ}, t_{PHZ}			50	5.5 ± 0.5	1.0	10.2	
Output skew	t_{osLH}, t_{osHL}	(Note 1)	—	50	5.5 ± 0.5	—	1.0	ns

Note: For devices with the ordering part number ending in KF. $T_{opr} = -40$ °C to 85 °C for the other devices.

Note 1: Parameter guaranteed by design. ($t_{osLH} = |t_{PLHM} - t_{PLHN}|$, $t_{osHL} = |t_{PHLM} - t_{PHLN}|$)

12.6. AC Characteristics (Note)

(Unless otherwise specified, $T_a = -40$ to 125 °C, Input: $t_r = t_f = 2.5$ ns, $R_L = 500$ Ω)

$V_{CCB} = 2.5 \pm 0.2$ V

Characteristics	Symbol	Note	Test Condition	C_L (pF)	V_{CCA} (V)	Min	Max	Unit
Propagation delay time (Bn→An)	t_{PLH}, t_{PHL}		Input: Bn Output: An (DIR = "L") See 12.8 AC Test Circuit, Table 12.8.1, Fig. 12.9.1, Fig. 12.9.2, Table 12.9.1	50	5.0 ± 0.5	1.0	9.7	ns
3-state output enable time (\overline{OE} →An)	t_{PZL}, t_{PZH}			50	5.0 ± 0.5	1.0	14.0	
3-state output disable time (\overline{OE} →An)	t_{PLZ}, t_{PHZ}			50	5.0 ± 0.5	1.0	15.0	
Propagation delay time (An→Bn)	t_{PLH}, t_{PHL}		Input: An Output: Bn (DIR = "H") See 12.8 AC Test Circuit, Table 12.8.1, Fig. 12.9.1, Fig. 12.9.2, Table 12.9.1	30	5.0 ± 0.5	1.0	10.2	ns
3-state output enable time (\overline{OE} →Bn)	t_{PZL}, t_{PZH}			30	5.0 ± 0.5	1.0	13.4	
3-state output disable time (\overline{OE} →Bn)	t_{PLZ}, t_{PHZ}			30	5.0 ± 0.5	1.0	10.7	
Output skew	t_{osLH}, t_{osHL}	(Note 1)	—	30 or 50	5.0 ± 0.5	—	1.0	ns

Note: For devices with the ordering part number ending in KF. $T_{opr} = -40$ °C to 85 °C for the other devices.

Note 1: Parameter guaranteed by design. ($t_{osLH} = |t_{PLHM} - t_{PLHN}|$, $t_{osHL} = |t_{PHLM} - t_{PHLN}|$)

12.7. Capacitive Characteristics (Unless otherwise specified, $T_a = 25$ °C)

$V_{CCB} = 2.5, 3.3$ V

Characteristics	Symbol	Note	Test Condition	V_{CCA} (V)	Typ.	Unit
Input capacitance	C_{IN}		DIR, \overline{OE}	5.0	7	pF
Bus I/O capacitance	$C_{I/O}$		An, Bn	5.0	8	pF
Power dissipation capacitance	C_{PDA}	(Note 1)	A→B (DIR = "H")	5.0	20	pF
			B→A (DIR = "L")	5.0	66	
	C_{PDB}		A→B (DIR = "H")	5.0	34	
			B→A (DIR = "L")	5.0	4	

Note 1: C_{PD} is defined as the value of the internal equivalent capacitance which is calculated from the operating current consumption without load. Average operating current can be obtained by the equation.

$$I_{CC(opr)} = C_{PD} \times V_{CC} \times f_{IN} + I_{CC}/16 \text{ (per bit)}$$

12.8. AC Test Circuit

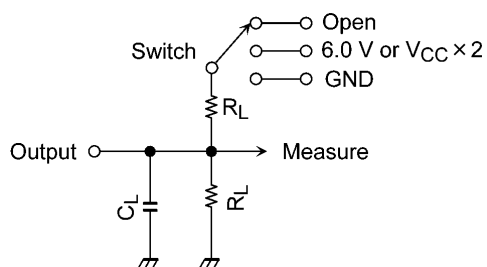


Table 12.8.1 Parameter for AC Test Circuit

Parameter	Switch	Test Condition
t_{PLH} , t_{PHL}	OPEN	—
t_{PLZ} , t_{PZL}	6.0 V	$V_{CC} = 3.3 \pm 0.3$ V
	$V_{CC} \times 2$	$V_{CC} = 5.0 \pm 0.5$ V
		$V_{CC} = 2.5 \pm 0.2$ V
t_{PHZ} , t_{PZH}	GND	—

12.9. AC Waveform

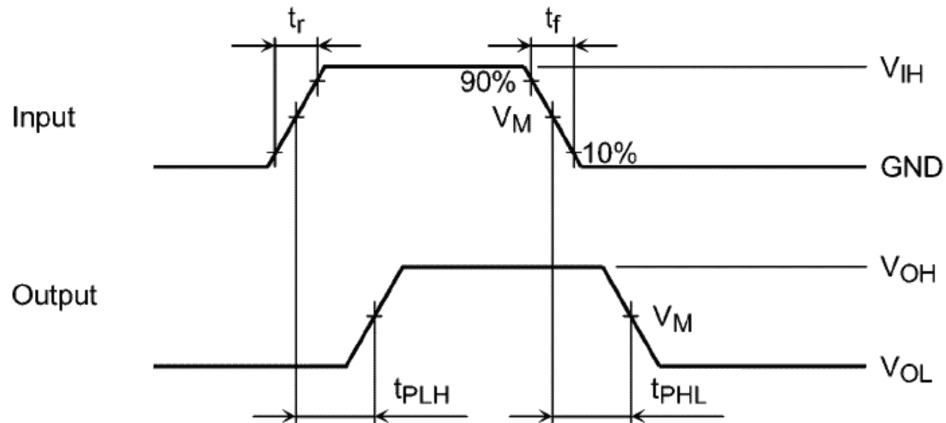


Fig. 12.9.1 t_{PLH} , t_{PHL}

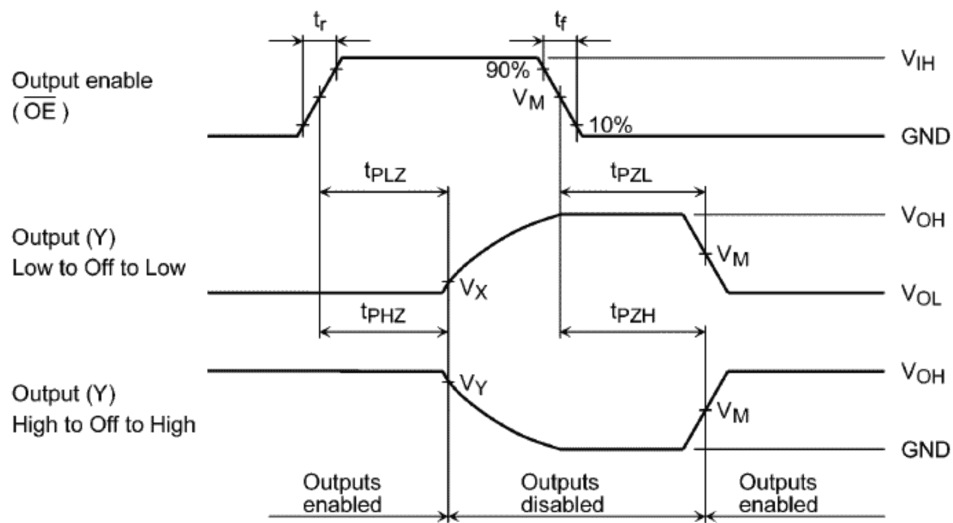


Fig. 12.9.2 t_{PLZ} , t_{PHZ} , t_{PZL} , t_{PZH}

Table 12.9.1 AC Waveform Symbols

Symbol	$V_{CC} = 5.0 \pm 0.5 V$ $V_{CC} = 3.3 \pm 0.3 V$	$V_{CC} = 2.7 V$	$V_{CC} = 2.5 \pm 0.2 V$
V_{IH}	2.7 V	2.7 V	V_{CC}
V_M	1.5 V	1.5 V	$V_{CC}/2$
V_X	$V_{OL} + 0.3 V$	$V_{OL} + 0.3 V$	$V_{OL} + 0.15 V$
V_Y	$V_{OH} - 0.3 V$	$V_{OH} - 0.3 V$	$V_{OH} - 0.15 V$
C_L	50 pF	30 pF	30 pF
R_L	500 Ω	500 Ω	500 Ω

RESTRICTIONS ON PRODUCT USE

Toshiba Corporation and its subsidiaries and affiliates are collectively referred to as "TOSHIBA".

Hardware, software and systems described in this document are collectively referred to as "Product".

- TOSHIBA reserves the right to make changes to the information in this document and related Product without notice.
- This document and any information herein may not be reproduced without prior written permission from TOSHIBA. Even with TOSHIBA's written permission, reproduction is permissible only if reproduction is without alteration/omission.
- Though TOSHIBA works continually to improve Product's quality and reliability, Product can malfunction or fail. Customers are responsible for complying with safety standards and for providing adequate designs and safeguards for their hardware, software and systems which minimize risk and avoid situations in which a malfunction or failure of Product could cause loss of human life, bodily injury or damage to property, including data loss or corruption. Before customers use the Product, create designs including the Product, or incorporate the Product into their own applications, customers must also refer to and comply with (a) the latest versions of all relevant TOSHIBA information, including without limitation, this document, the specifications, the data sheets and application notes for Product and the precautions and conditions set forth in the "TOSHIBA Semiconductor Reliability Handbook" and (b) the instructions for the application with which the Product will be used with or for. Customers are solely responsible for all aspects of their own product design or applications, including but not limited to (a) determining the appropriateness of the use of this Product in such design or applications; (b) evaluating and determining the applicability of any information contained in this document, or in charts, diagrams, programs, algorithms, sample application circuits, or any other referenced documents; and (c) validating all operating parameters for such designs and applications.
TOSHIBA ASSUMES NO LIABILITY FOR CUSTOMERS' PRODUCT DESIGN OR APPLICATIONS.

- **PRODUCT IS NEITHER INTENDED NOR WARRANTED FOR USE IN EQUIPMENTS OR SYSTEMS THAT REQUIRE EXTRAORDINARILY HIGH LEVELS OF QUALITY AND/OR RELIABILITY, AND/OR A MALFUNCTION OR FAILURE OF WHICH MAY CAUSE LOSS OF HUMAN LIFE, BODILY INJURY, SERIOUS PROPERTY DAMAGE AND/OR SERIOUS PUBLIC IMPACT ("UNINTENDED USE").**

Except for specific applications as expressly stated in this document, Unintended Use includes, without limitation, equipment used in nuclear facilities, equipment used in the aerospace industry, lifesaving and/or life supporting medical equipment, equipment used for automobiles, trains, ships and other transportation, traffic signaling equipment, equipment used to control combustions or explosions, safety devices, elevators and escalators, and devices related to power plant.

IF YOU USE PRODUCT FOR UNINTENDED USE, TOSHIBA ASSUMES NO LIABILITY FOR PRODUCT.

For details, please contact your TOSHIBA sales representative or contact us via our website.

- Do not disassemble, analyze, reverse-engineer, alter, modify, translate or copy Product, whether in whole or in part.
- Product shall not be used for or incorporated into any products or systems whose manufacture, use, or sale is prohibited under any applicable laws or regulations.
- The information contained herein is presented only as guidance for Product use. No responsibility is assumed by TOSHIBA for any infringement of patents or any other intellectual property rights of third parties that may result from the use of Product. No license to any intellectual property right is granted by this document, whether express or implied, by estoppel or otherwise.
- **ABSENT A WRITTEN SIGNED AGREEMENT, EXCEPT AS PROVIDED IN THE RELEVANT TERMS AND CONDITIONS OF SALE FOR PRODUCT, AND TO THE MAXIMUM EXTENT ALLOWABLE BY LAW, TOSHIBA (1) ASSUMES NO LIABILITY WHATSOEVER, INCLUDING WITHOUT LIMITATION, INDIRECT, CONSEQUENTIAL, SPECIAL, OR INCIDENTAL DAMAGES OR LOSS, INCLUDING WITHOUT LIMITATION, LOSS OF PROFITS, LOSS OF OPPORTUNITIES, BUSINESS INTERRUPTION AND LOSS OF DATA, AND (2) DISCLAIMS ANY AND ALL EXPRESS OR IMPLIED WARRANTIES AND CONDITIONS RELATED TO SALE, USE OF PRODUCT, OR INFORMATION, INCLUDING WARRANTIES OR CONDITIONS OF MERCHANTABILITY, FITNESS FOR A PARTICULAR PURPOSE, ACCURACY OF INFORMATION, OR NONINFRINGEMENT.**
- Do not use or otherwise make available Product or related software or technology for any military purposes, including without limitation, for the design, development, use, stockpiling or manufacturing of nuclear, chemical, or biological weapons or missile technology products (mass destruction weapons). Product and related software and technology may be controlled under the applicable export laws and regulations including, without limitation, the Japanese Foreign Exchange and Foreign Trade Law and the U.S. Export Administration Regulations. Export and re-export of Product or related software or technology are strictly prohibited except in compliance with all applicable export laws and regulations.
- Please contact your TOSHIBA sales representative for details as to environmental matters such as the RoHS compatibility of Product. Please use Product in compliance with all applicable laws and regulations that regulate the inclusion or use of controlled substances, including without limitation, the EU RoHS Directive. **TOSHIBA ASSUMES NO LIABILITY FOR DAMAGES OR LOSSES OCCURRING AS A RESULT OF NONCOMPLIANCE WITH APPLICABLE LAWS AND REGULATIONS.**