

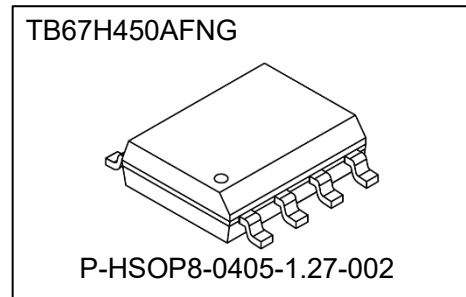
TOSHIBA BiCD Process Integrated Circuit Silicon Monolithic

TB67H450AFNG

PWM Chopper Type DC Brushed Motor Driver

1. Description

The TB67H450AFNG is a PWM chopper type DC brushed motor driver. One channel of motor output block is embedded. Fabricated with the BiCD process, the TB67H450AFNG is rated at output voltage 50 V, maximum current 3.5 A.



Weight: 0.075 g (typ.)

2. Applications

- Battery-powered equipment (robot cleaner, small home robot)
- Electronic lock
- USB-powered devices (Fan)
- Home appliances (refrigerator, warm-water bidet toilet seat)
- OA equipment
- Financial equipment

3. Features

- Monolithic IC using BiCD process
- Capable of PWM constant current drive and direct PWM drive
- Supporting 4 operation modes, Forward / Reverse / Brake / STOP (OFF)
- Built-in output MOSFET with Low on-resistance (High side + low side = 0.6 Ω (typ.))
- Realization of high voltage and large current drive (Refer to “Absolute maximum ratings” and “Operating range”.)
- Built-in various error detection functions (Thermal shutdown (TSD), Over current detection (ISD), and Under voltage lockout(UVLO))
- Built-in VCC regulator for the internal circuit operation

Note: Please be careful about the thermal conditions during use.

Start of commercial production
2021-04

4. Block Diagram

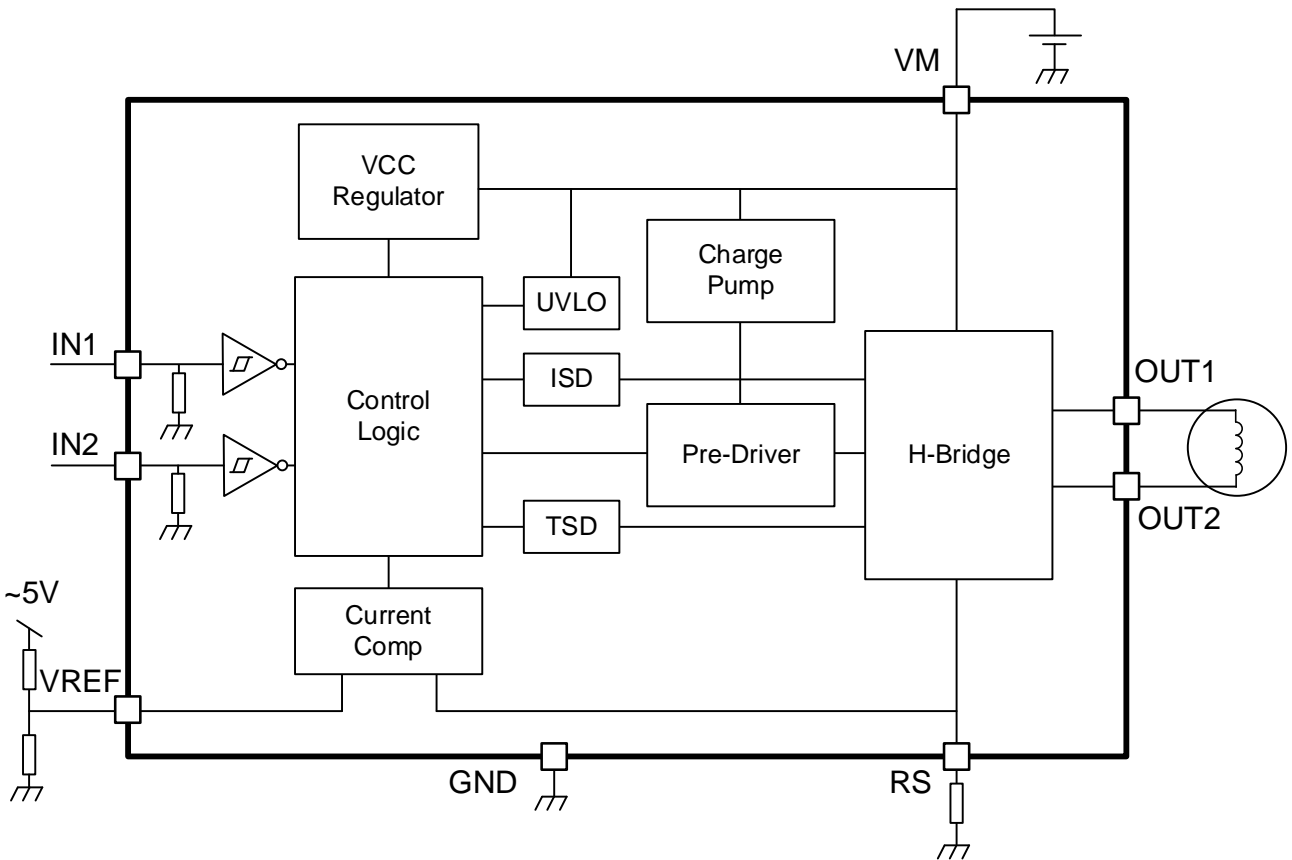


Figure 4 Block Diagram

Note: Some of the functional blocks, circuits, or constants in the block diagram may be omitted or simplified for explanatory purposes.

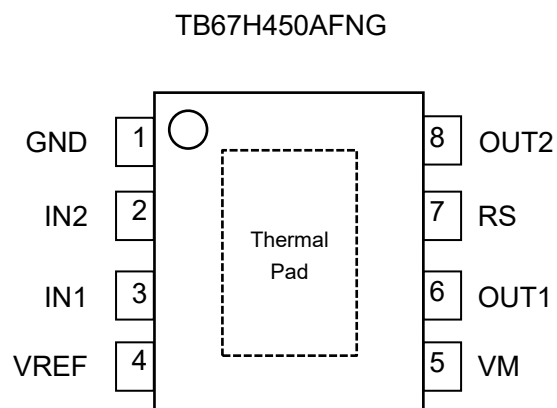
Note: All the grounding wires of the TB67H450AFNG must run on the solder mask of the PCB. It must also be externally terminated at a single point. Also, the grounding method should be considered for efficient heat dissipation.

Careful attention should be paid to the layout of the output, VM and GND traces, to avoid short circuits across output pins or to the power supply or ground. If such a short circuit occurs, the device may be permanently damaged.

Also, the utmost care should be taken for pattern designing and implementation of the device since it has power supply pins (VM, RS, OUT1, OUT2, and GND) through which a particularly large current may run. If these pins are wired incorrectly, an operation error may occur or the device may be destroyed.

The logic input pins must also be wired correctly. Otherwise, the device may be damaged owing to a current running through the IC that is larger than the specified current. Careful attention should be paid to design patterns and mountings.

5. Pin Assignment



Note: When using the device, always solder the thermal pad to the GND area of the board.

Figure 5 Pin Assignment

6. Pin Description

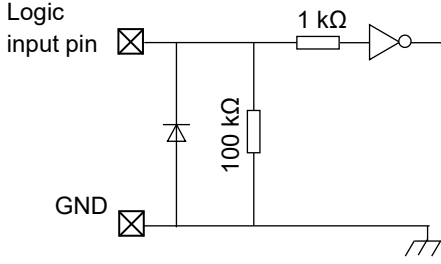
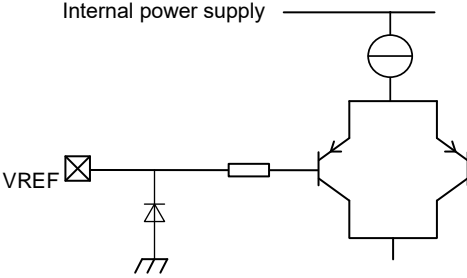
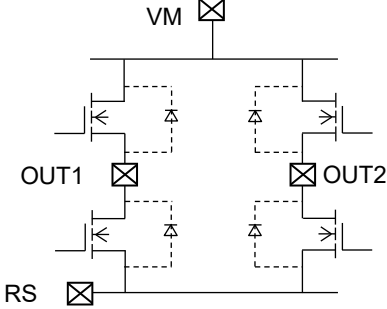
Table 6 Pin Description

Pin No.	Pin name	Description
1	GND	Ground pin
2	IN2	Logic input pin 2
3	IN1	Logic input pin 1
4	VREF	Motor output current setting pin
5	VM	Motor power supply
6	OUT1	Motor output pin 1
7	RS	Motor output current sense pin
8	OUT2	Motor output pin 2

Note: The NC pins are not connected inside the IC.
During layout, it is possible to connect them with the adjacent pins but be careful to avoid shorting to the power supply or ground.

7. Input and Output Equivalent Circuit

Table 7 Input and Output Equivalent Circuit

Pin name	Equivalent circuit
<p>IN1 IN2</p>	 <p>Logic input pin</p> <p>1 kΩ</p> <p>100 kΩ</p> <p>GND</p>
<p>VREF</p>	 <p>Internal power supply</p> <p>VREF</p>
<p>OUT1 OUT2 RS</p>	 <p>VM</p> <p>OUT1</p> <p>OUT2</p> <p>RS</p>

Note: The equivalent circuit may be omitted or simplified for explanatory purposes.

8. Functional Description

8.1. Input and Output Function

Table 8.1 Input and Output Function

IN1	IN2	OUT1	OUT2	Mode
L	L	OFF (Hi-Z)	OFF (Hi-Z)	Stop
				Standby mode after t_{stby}
H	L	H	L	Forward
L	H	L	H	Reverse
H	H	L	L	Brake

Note: Current path: Forward rotation (OUT1 to OUT2), Reverse rotation (OUT2 to OUT1)

8.2. Standby Mode

When both IN1 and IN2 pins are set to L for t_{stby} (1 ms (typ.)), the operation mode translates to the standby mode.

In standby mode, when IN1 or IN2 is set to H, the mode returns from the standby mode, and enters to the operation mode. Maximum 30 μ s is required for the return time from the standby release.

The OUT1 and OUT2 outputs operate after 30 μ s (max.) from the standby release.

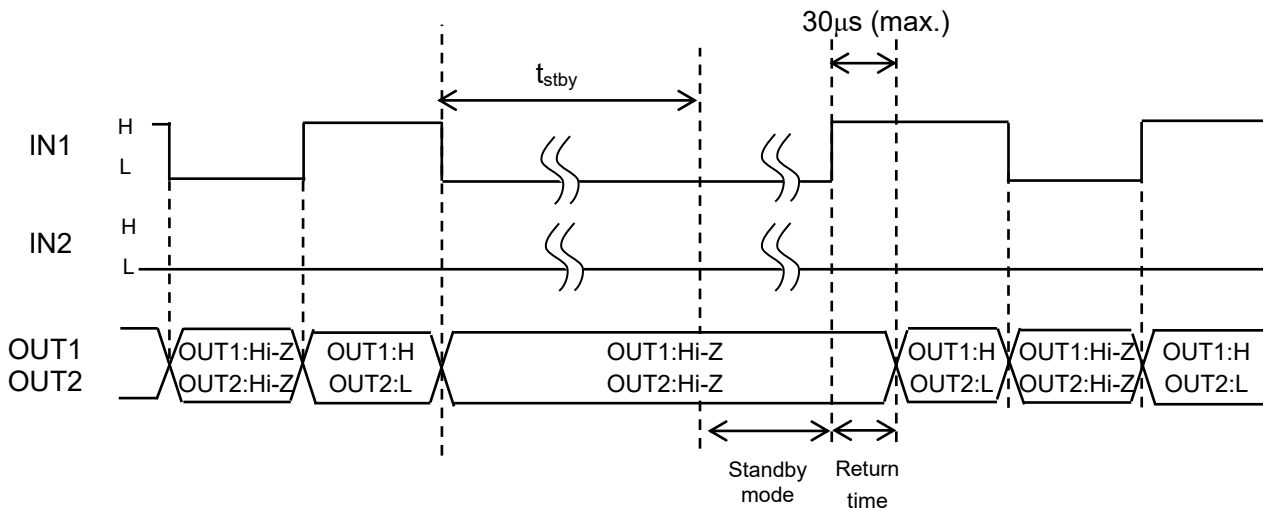


Figure 8.2 Standby Mode Timing Chart

Note: The timing charts or constants may be omitted or simplified for explanatory.

8.3. Constant Current PWM Blanking Time

In TB67H450AFNG, the following blanking time is set to prevent a spike current and external noise which are generated during driving a motor.

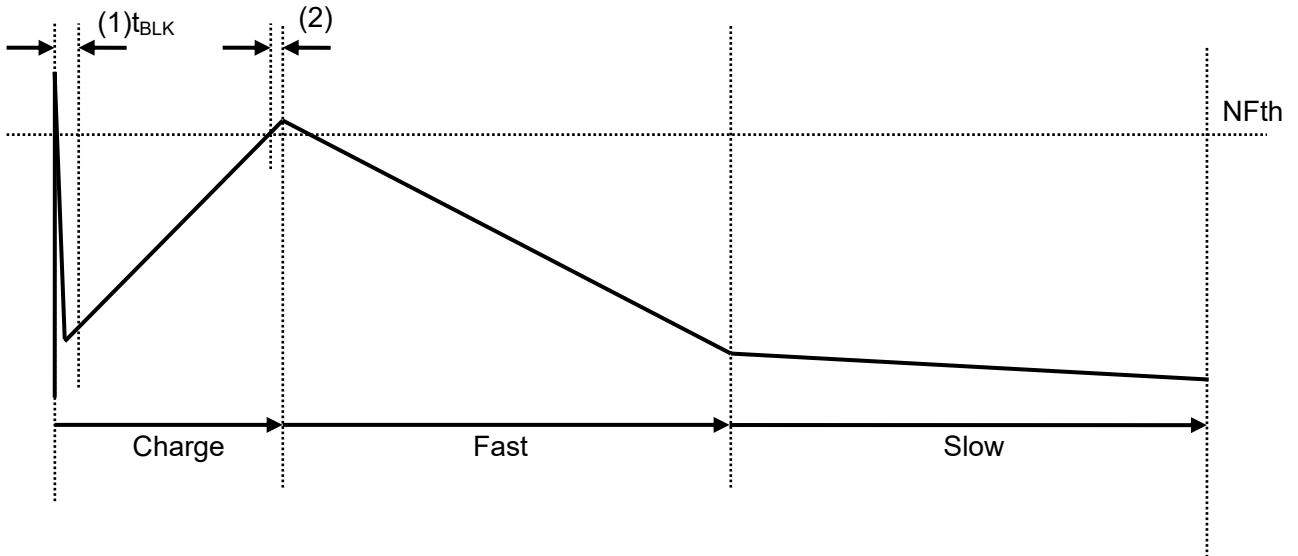


Figure 8.3 Constant Current PWM Timing Chart

Note: The timing charts or constants may be omitted or simplified for explanatory.

Note: t_{BLK} (For preventing incorrect detection of a spike current at changing from Decay to Charge): 3.6 μ s (typ.): (1)
 The blanking time, 400 ns (typ.) is also set for preventing an incorrect detection around setting current value (NFth): (2)

* The time widths shown in the above figure are the design values, and the values are not guaranteed.

8.4. Blanking Time between Input Signal and t_{BLK}

The t_{BLK} is intended to avoid inrush current detection. The TB67H450AFNG not only can be controlled by constant current PWM, but also by direct PWM; with IN control signals. Therefore, the t_{BLK} is set at each IN switch timing; shown with gray in the timing chart below.

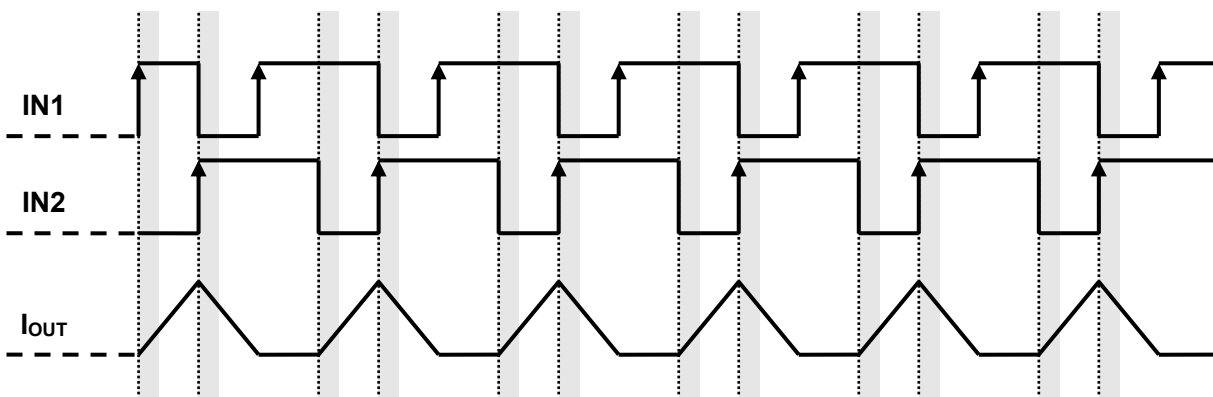


Figure 8.4 Blanking Time between Input Signal and t_{BLK} Timing Chart

Note: The timing charts or constants may be omitted or simplified for explanatory.

8.5. Motor Control (Constant Current Control)

8.5.1. Current Waveform in Mixed Decay Mode and the Setting

In case of constant current control, the OFF time (t_{OFF}) which determines the current ripple (pulsating) is fixed to 25 μ s (typ.) and the rate of Mixed Decay Mode is 50% in Fast Mode, and 50% in Slow mode.

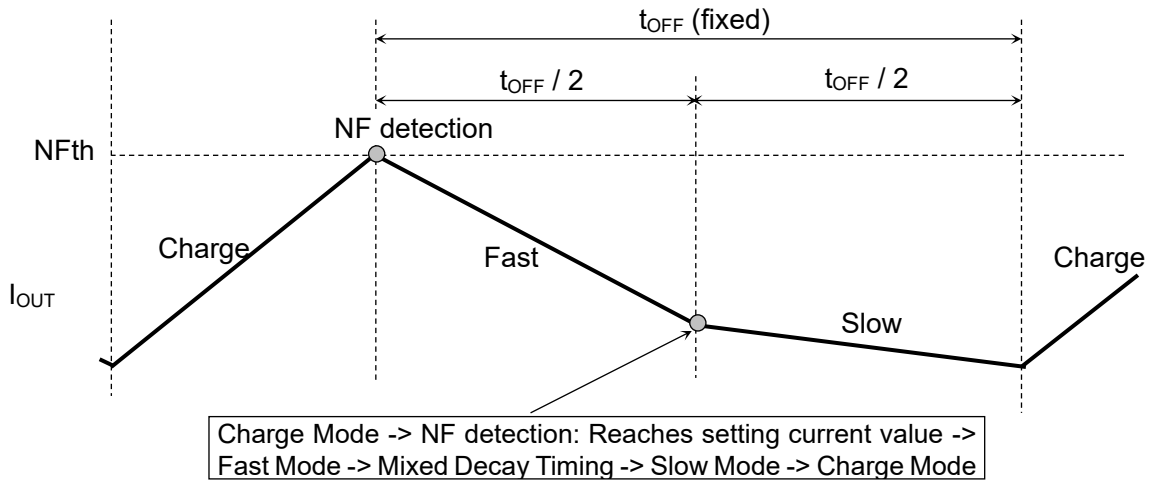


Figure 8.5.1 Current Waveform in Mixed Decay Mode and the Setting

Note: The timing charts or constants may be omitted or simplified for explanatory.

Note: If the output current is zero-detected during Fast mode, the output becomes High impedance.

8.5.2. Waveform in Mixed Decay Mode (Current Waveform)

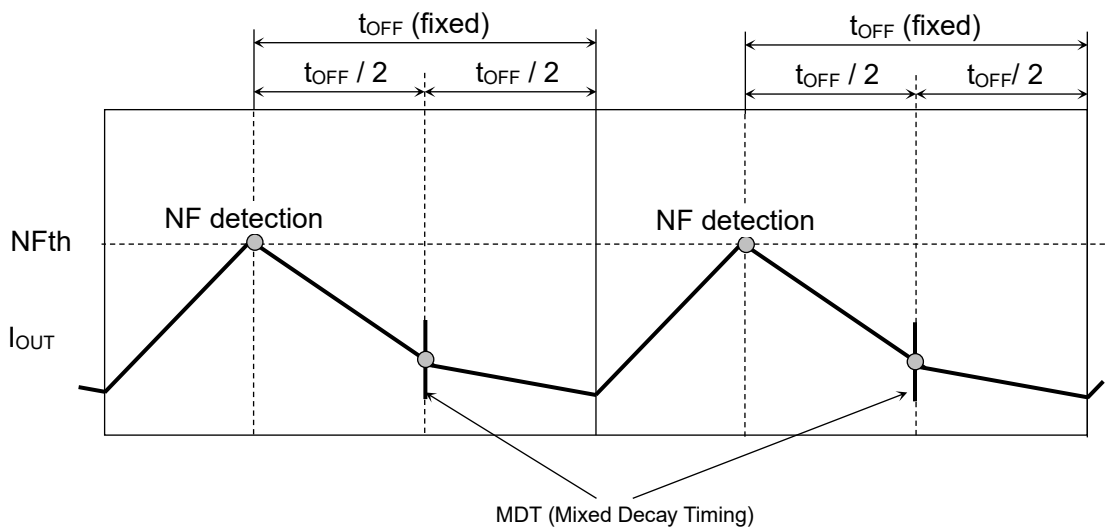


Figure 8.5.2 Waveform in Mixed Decay Mode

Note: The timing charts or constants may be omitted or simplified for explanatory.

9. Operation Mode of Output Transistor

9.1. Forward Rotation

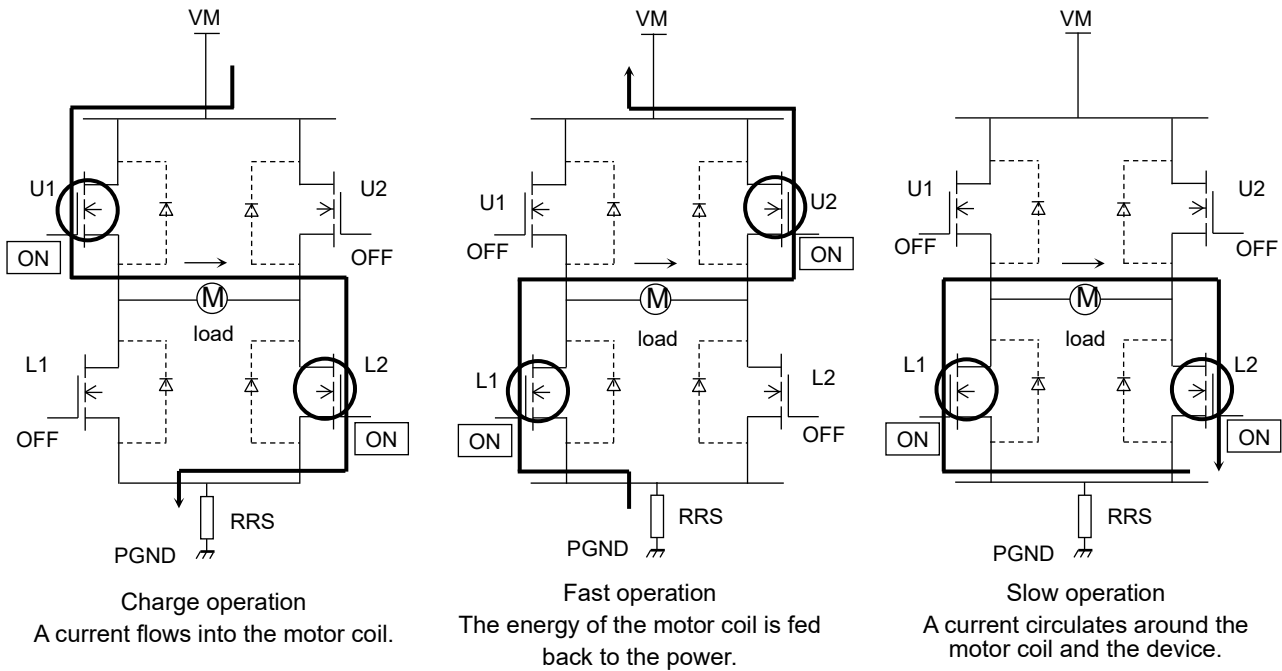


Figure 9.1 Operation Mode of Output Transistor (Forward Rotation)

Note: In the timing of an output switching, the time to prevent a through current is predefined (200 ns to 300 ns (design value)).

Note: The equivalent circuit diagrams may be simplified or some parts of them may be omitted for explanatory purposes.

Table 9.1 At Forward Rotation

Mode	U1	U2	L1	L2
CHARGE	ON	OFF	OFF	ON
FAST	OFF	ON	ON	OFF
SLOW	OFF	OFF	ON	ON

Note: The parameters shown in the table above are examples when the current flows in the directions shown in the figures above. For the current flowing in the reverse direction, the parameters change as shown in the table below.

9.2. Reverse Rotation

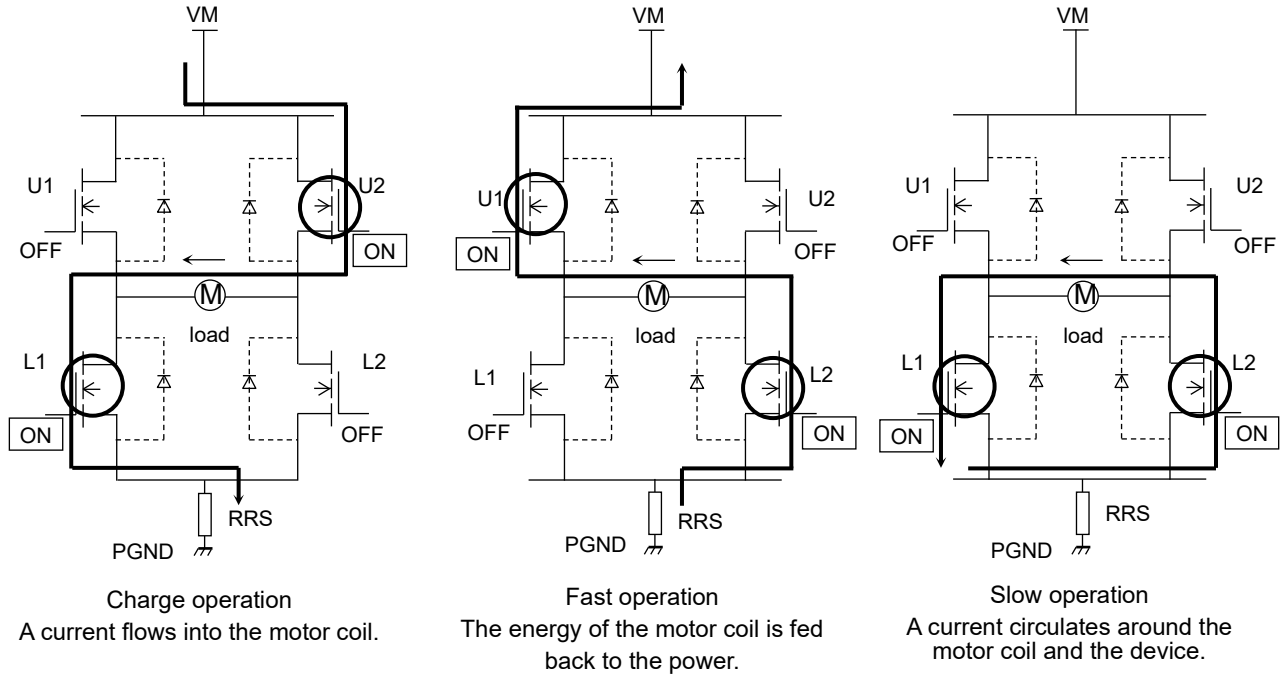


Figure 9.2 Operation Mode of Output Transistor (Reverse Rotation)

- Note: In the timing of an output switching, the time to prevent a through current is predefined (200 ns to 300 ns (design value)).
- Note: The equivalent circuit diagrams may be simplified or some parts of them may be omitted for explanatory purposes.

Table 9.2 At Reverse Rotation

Mode	U1	U2	L1	L2
CHARGE	OFF	ON	ON	OFF
FAST	ON	OFF	OFF	ON
SLOW	OFF	OFF	ON	ON

Note: This IC controls the motor current to be constant by 3 modes listed above.

10. Calculation of Predefined Output Current

This IC controls a motor operation by PWM constant current control. The peak current value (setting current value) can be determined by settings of the current-sensing resistor (R_{RS}) and the reference voltage (V_{REF}).

$$I_{OUT(max.)} = V_{REF(gain)} \times \frac{V_{REF}(V)}{R_{RS}(\Omega)}$$

$V_{REF(gain)}$: The V_{REF} decay rate is 1 / 10.0 (typ.)

Example:

When V_{REF} is 3.0 V and R_{RS} is 0.51 Ω , the motor constant current (Peak current) is calculated as:

$$I_{OUT} = 3.0 \text{ V} / 10.0 / 0.51 \text{ } \Omega = 0.59 \text{ A}$$

Note: If the constant current control function is disabled, the RS pin should be connected to GND, and the voltage (1 to 5 V) is input to VREF pin.

11. Absolute Maximum Ratings

Table 11 Absolute Maximum Ratings ($T_a = 25^\circ\text{C}$ unless otherwise specified)

Characteristics	Symbol	Rating	Unit	Remarks
Motor power supply (non active)	V_M	50	V	Standby mode
Motor power supply (active)		-0.4 to 44	V	Operation mode
Motor output voltage	V_{OUT}	50	V	—
Motor output current	I_{OUT}	3.5	A	(Note 1)
Logic input pin voltage	$V_{IN(H)}$	6.0	V	—
	$V_{IN(L)}$	-0.4	V	—
VREF pin voltage	V_{REF}	0 to 5.5	V	—
Power dissipation	P_D	2.85	W	(Note 2)
Operating temperature	T_{opr}	-40 to 85	$^\circ\text{C}$	—
Storage temperature	T_{stg}	-55 to 150	$^\circ\text{C}$	—
Junction temperature	T_j	150	$^\circ\text{C}$	—

Note 1: The maximum current value in normal operation should be used at 70% or less ($I_{out} \leq 2.45\text{ A}$) of the absolute maximum ratings after thermal calculation. The maximum output current may be further limited in view of thermal considerations, depending on ambient temperature and board conditions.

Note 2: On PCB (JEDEC 4 layers). When the ambient temperature exceeds above $T_a = 25^\circ\text{C}$, derate the power dissipation by $22.8\text{ mW}/^\circ\text{C}$.

T_a : Ambient temperature.

T_{opr} : Ambient temperature while the device is active.

T_j : Junction temperature.

It is advisable to keep the maximum current below a certain level so that the maximum junction temperature, $T_{j(max)}$, will not exceed 120°C .

Caution) Absolute maximum ratings

The absolute maximum ratings of a semiconductor device are a set of ratings that must not be exceeded, even for a moment. Do not exceed any of these ratings.

Exceeding the rating (s) may cause device breakdown, damage or deterioration, and may result in injury by explosion or combustion.

The value of even one parameter of the absolute maximum ratings should not be exceeded under any circumstances. TB67H450AFNG does not have overvoltage detection circuit.

Therefore, the device is damaged if a voltage exceeding its rated maximum is applied. All voltage ratings, including supply voltages, must always be followed. The other notes and considerations described later should also be referred to.

12. Operating Range

Table 12 Operating Range ($T_a = -40$ to $85\text{ }^\circ\text{C}$)

Characteristics	Symbol	Min.	Typ.	Max.	Unit	Remarks
Motor power supply voltage	V_M	4.5	24	44	V	—
Motor output current	I_{OUT}	—	1.5	3.0	A	—
Input range of control logic frequency	f_{LOGIC}	—	—	400	kHz	IN1, IN2
Input range of VREF voltage	V_{REF}	0	2.0	4.0	V	Constant current drive

Note: The actual maximum current may be limited by the operating environment (operating conditions such operating duration, or by the surrounding temperature or board heat dissipation). Determine a realistic maximum current by calculating the heat generated under the operating environment.

13. Electrical Characteristics

13.1. Electrical Characteristics 1

Table 13.1 Electrical Characteristics 1 ($V_M = 24\text{ V}$, $T_a = 25^\circ\text{C}$ unless otherwise specified)

Characteristics		Symbol	Test conditions	Min.	Typ.	Max.	Unit
Logic input pin Input voltage	HIGH	$V_{IN(H)}$	Logic input pins	2.0	—	5.5	V
	LOW	$V_{IN(L)}$	Logic input pins	0	—	0.8	V
Input hysteresis		$V_{IN(HYS)}$	Logic input pins (Note 1)	100	—	300	mV
Logic input pin Input current	HIGH	$I_{IN(H)}$	Test logic input pins: 3.3 V	—	33	55	μA
	LOW	$I_{IN(L)}$	Test logic input pins: 0 V	—	—	1	μA
Current consumption		I_{M1}	Output: OPEN Standby mode ($IN1/IN2 = \text{Low}$)	—	—	1	μA
		I_{M2}	Output: OPEN Brake mode ($IN1/IN2 = \text{High}$)	—	3	4	mA
		I_{M3}	Output: OPEN $f_{PWM} = 30\text{ kHz}$	—	3.5	5	mA
Motor output Leakage current	High Side	I_{OH}	$V_M = 50\text{ V}$, $V_{OUT} = 0\text{ V}$ Standby mode ($IN1/IN2 = \text{Low}$)	—	—	1	μA
	Low Side	I_{OL}	$V_M = V_{OUT} = 50\text{ V}$ Standby mode ($IN1/IN2 = \text{Low}$)	-1	—	—	μA
Output setting current accuracy		ΔI_{OUT}	$I_{OUT} = 1.5\text{ A}$	-5	0	5	%
RS pin current		I_{RS}	$V_{RS} = 0\text{ V}$, $V_M = 24\text{ V}$ Standby mode ($IN1/IN2 = \text{Low}$)	0	—	1	μA
Output transistor On-resistance between drain and source (High side + low side)		$R_{on(H+L)}$	$T_j = 25^\circ\text{C}$, Forward direction (High side + low side) $I_{out} = 1.5\text{ A}$	—	0.6	0.8	Ω

Note 1: $V_{IN(HYS)}$ is defined as the difference between $V_{IN(H)}$ and $V_{IN(L)}$. $V_{IN(H)}$ is the voltage when the voltage (V_{IN}) to the input pins ($IN1$ and $IN2$) is raised and the output pins ($OUT1$ and $OUT2$) change from H to L. $V_{IN(L)}$ is the voltage when the $V_{IN(H)}$ is lowered and the output pins ($OUT1$ and $OUT2$) change from L to H.
 $V_{IN(HYS)} = V_{IN(H)} - V_{IN(L)}$

Note: Although the circuit is designed so that no electromotive force or leakage current is generated by signal input when the V_M voltage is not supplied, please make sure to control the logic input signals before resupplying the V_M voltage to prevent the motor from operating upon resupply.

13.2. Electrical Characteristics 2

Table 13.2 Electrical Characteristics 2 ($V_M = 24\text{ V}$, $T_a = 25^\circ\text{C}$ unless otherwise specified)

Characteristics	Symbol	Test conditions	Min.	Typ.	Max.	Unit
V_{REF} pin input current	I_{REF}	$V_{REF} = 2.0\text{ V}$	—	0	1	μA
V_{REF} attenuation ratio	$V_{REF(\text{gain})}$	$V_{REF} = 2.0\text{ V}$	1/10.4	1/10	1/9.6	—
Thermal shutdown (TSD) circuit operating temperature (Note 1)	T_{JTSD}	—	150	160	175	$^\circ\text{C}$
Thermal shutdown (TSD) hysteresis	$T_{JTSD\text{hys}}$	—	—	30	—	$^\circ\text{C}$
UVLO voltage (Note 2)	V_{UVLO}	At rising V_M	3.8	4.0	4.2	V
UVLO hysteresis voltage	$V_{\text{hys_UVLO}}$	—	—	200	—	mV
Over current detection (ISD) circuit operating current (Note 3)	I_{ISD}	—	4.1	4.9	5.7	A

Note 1: Thermal shutdown (TSD) *Auto return

When the junction temperature of the IC reaches the TSD threshold, the TSD circuit is triggered; the internal reset circuit then turns off the output transistors. In order to avoid malfunction by switching etc., detection mask time is prepared inside IC. Since the operating temperature of TSD circuit has a hysteresis width, the IC returns automatically when the junction temperature is lowered to the temperature to return.

The TSD circuit is a backup function to detect a thermal error, therefore, is not recommended to be used aggressively.

Note 2: Under voltage lockout (UVLO)

When the supply voltage to VM pin is 3.8V (typ.) or less, the internal circuit is triggered; the internal reset circuit then turns off the output transistors. Once the UVLO is triggered, it can be cleared by reasserting the VM supply voltage to 4.0V (typ.) or more.

Note 3: Over current detection (ISD) *Latch operation

When the output current reaches the threshold, the ISD circuit is triggered; the internal reset circuit then turns off the output transistors. In order to avoid malfunction by switching etc., detection mask time is prepared inside IC. Once the ISD circuit is triggered, the IC is set to standby mode, and can be cleared by reasserting VM power supply, or a return operation after setting to standby mode (After both pins of IN1 and IN2 are set to Low for 1.5 ms or more, IN1 pin or IN2 pin is set to High).

Additionally, the IC has a circuit as a short-circuit detection of output pins (OUT1 and OUT2) which are adjacent to RS pin, if the voltage more than the threshold is applied to RS pin, the circuit turns off the output transistors.

13.2.1. Back-EMF

While a motor is rotating, there is a timing at which power is fed back to the power supply. At that timing, the motor current recirculates back to the power supply due to the effect of the motor back-EMF.

If the power supply does not have enough sink capability, the power supply and output pins of the device might rise above the rated voltages. The magnitude of the motor back-EMF varies with usage conditions and motor characteristics. It must be fully verified that there is no risk that the TB67H450AFNG or other components may be damaged or failed due to the motor back-EMF.

13.2.2. Cautions on Overcurrent Shutdown (ISD) and Thermal Shutdown (TSD)

The ISD and TSD circuits are only intended to provide temporary protection against irregular conditions such as an output short-circuit; they do not necessarily guarantee the complete IC safety.

If the device is used beyond the specified operating ranges, these circuits may not operate properly: then the device may be damaged due to an output short-circuit.

The ISD circuit is only intended to provide a temporary protection against an output short-circuit. If such a condition persists for a long time, the device may be damaged due to overstress. Overcurrent conditions must be removed immediately by external hardware.

13.2.3. IC Mounting

Do not insert devices incorrectly or in the wrong orientation. Otherwise, it may cause breakdown, damage and/or deterioration of the device.

14. AC Electrical Characteristics

Table 14 AC Electrical Characteristics
 ($V_M = 24\text{ V}$, $T_a = 25^\circ\text{C}$, output load condition 6.8 mH/5.7 Ω , unless otherwise specified)

Characteristics	Symbol	Test condition	Min.	Typ.	Max.	Unit
Minimum input pulse width of IN1 and IN2	$t_{w(H)}$	—	500	—	—	ns
	$t_{w(L)}$	—	500	—	—	ns
Output transistor switching characteristics	t_r	—	30	60	120	ns
	t_f	—	40	80	160	
	t_{pLH}	IN1 and IN2 - OUT	—	500	—	
	t_{pHL}	IN1 and IN2 - OUT	—	500	—	
Blanking time of noise rejection	t_{BLK}	—	—	3.6	—	μs
Fixed OFF time	t_{OFF}	—	19	25	36	μs
Time to standby	t_{stby}	IN1 = IN2 = Low	0.7	1	1.5	ms
Standby return time	$t_{stby(re)}$	—	—	—	30	μs
Mask time of over current detection (ISD)	$t_{ISD(mask)}$	—	—	2.5	—	μs
Mask time of thermal shutdown (TSD)	$t_{TSD(mask)}$	—	2.0	5.0	8.0	μs

14.1. Timing Chart of AC Characteristics

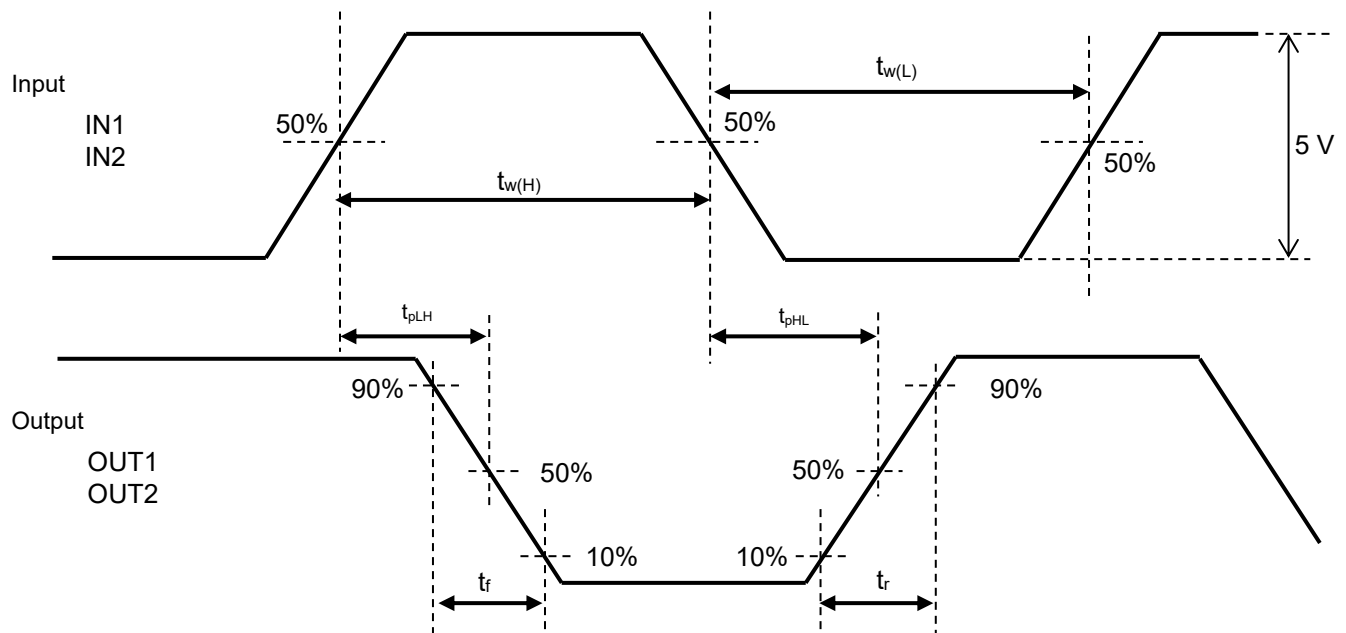


Figure 14.1 Timing Chart of AC Characteristics

Note: Timing charts may be simplified for explanatory purposes.

15. Relation between Power dissipation and Ambient Temperature (Reference)

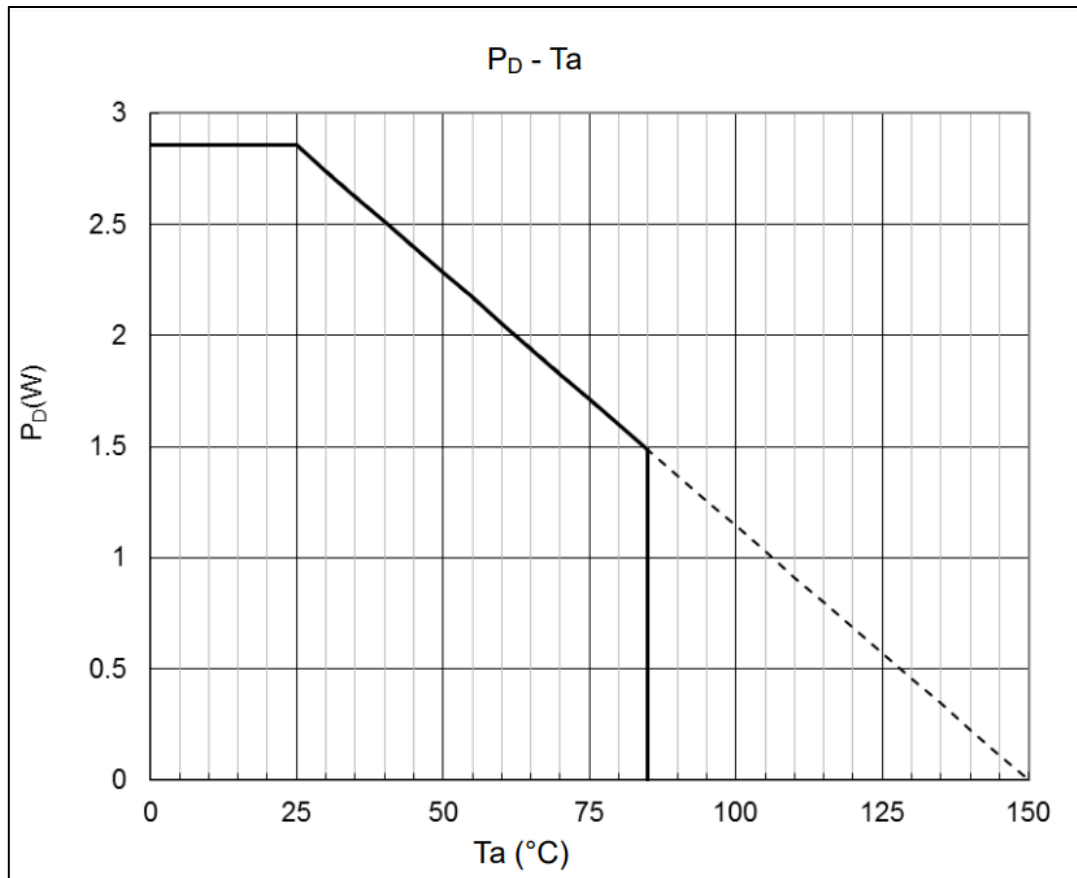


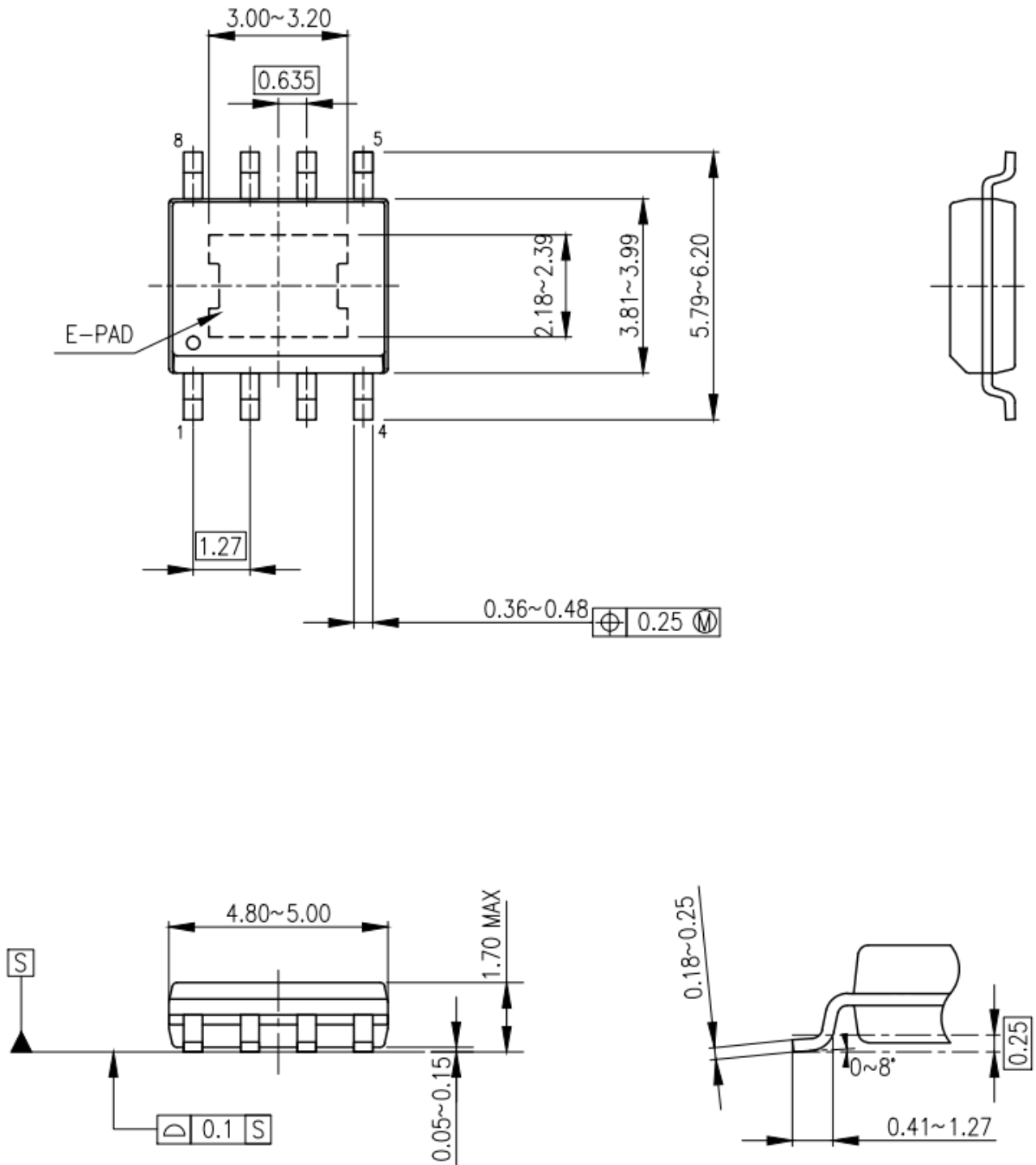
Figure 15 Power Dissipation When Mounted on the Board (JEDEC 4 layers)

Note: This value is dependent on a substrate pattern and mounting conditions. Moreover, when ambient temperature is high, permissible power consumption becomes small.

16. Package Dimensions

P-HSOP8-0405-1.27-002

Unit: mm



Weight: 0.075 g (typ.)

Figure 16 Package Dimensions

17. Notes on Contents

Block Diagrams

Some of the functional blocks, circuits, or constants in the block diagram may be omitted or simplified for explanatory purposes.

Input / Output Equivalent Circuit

The equivalent circuit diagrams may be simplified for explanatory purposes.

Timing Charts

Timing charts may be simplified for explanatory purposes.

Application Circuits

The application circuits shown in this document are provided for reference purposes only. Thorough evaluation is required, especially at the mass production design stage.

Providing these application circuit examples does not grant a license for industrial property rights.

18. IC Usage Considerations

18.1. Notes on Handling of ICs

- (1) The absolute maximum ratings of a semiconductor device are a set of ratings that must not be exceeded, even for a moment. Do not exceed any of these ratings. Exceeding the rating(s) may cause the device breakdown, damage or deterioration, and may result injury by explosion or combustion.
- (2) Use an appropriate power supply fuse to ensure that a large current does not continuously flow in case of over current and/or IC failure. The IC will fully break down when used under conditions that exceed its absolute maximum ratings, when the wiring is routed improperly or when an abnormal pulse noise occurs from the wiring or load, causing a large current to continuously flow and the breakdown can lead smoke or ignition. To minimize the effects of the flow of a large current in case of breakdown, appropriate settings, such as fuse capacity, fusing time and insertion circuit location, are required.
- (3) If your design includes an inductive load such as a motor coil, incorporate a protection circuit into the design to prevent device malfunction or breakdown caused by the current resulting from the inrush current at power ON or the negative current resulting from the back electromotive force at power OFF. IC breakdown may cause injury, smoke or ignition. Use a stable power supply with ICs with built-in protection functions. If the power supply is unstable, the protection function may not operate, causing IC breakdown. IC breakdown may cause injury, smoke or ignition.
- (4) Do not insert devices in the wrong orientation or incorrectly. Make sure that the positive and negative terminals of power supplies are connected properly. Otherwise, the current or power consumption may exceed the absolute maximum rating, and exceeding the rating(s) may cause the device breakdown, damage or deterioration, and may result injury by explosion or combustion. In addition, do not use any device that is applied the current with inserting in the wrong orientation or incorrectly even just one time.
- (5) Carefully select external components (such as inputs and negative feedback capacitors) and load components (such as speakers), for example, power amp and regulator. If there is a large amount of leakage current such as from input or negative feedback condenser, the IC output DC voltage will increase. If this output voltage is connected to a speaker with low input withstand voltage, overcurrent or IC failure may cause smoke or ignition. (The overcurrent may cause smoke or ignition from the IC itself.) In particular, please pay attention when using a Bridge Tied Load (BTL) connection-type IC that inputs output DC voltage to a speaker directly.

18.2. Points to Remember on Handling of ICs

- (1) Over current Protection Circuit
Over current protection circuits (referred to as current limiter circuits) do not necessarily protect ICs under all circumstances. If the Over current protection circuits operate against the over current, clear the over current status immediately.
- (2) Thermal Shutdown Circuit
Thermal shutdown circuits do not necessarily protect ICs under all circumstances. If the thermal shutdown circuits operate against the over temperature clears the heat generation status immediately.
- (3) Heat Radiation Design
In using an IC with large current flow such as power amp, regulator or driver, please design the device so that heat is appropriately radiated, not to exceed the specified junction temperature (T_j) at any time and condition. These ICs generate heat even during normal use. An inadequate IC heat radiation design can lead to decrease in IC life, deterioration of IC characteristics or IC breakdown. In addition, please design the device taking into consideration the effect of IC heat radiation with peripheral components.
- (4) Back-EMF
When a motor reverses the rotation direction, stops or slows down abruptly, a current flow back to the motor's power supply due to the effect of back-EMF. If the current sink capability of the power supply is small, the device's motor power supply and output pins might be exposed to conditions beyond absolute maximum ratings. To avoid this problem, take the effect of back-EMF into consideration in system design.

RESTRICTIONS ON PRODUCT USE

Toshiba Corporation and its subsidiaries and affiliates are collectively referred to as "TOSHIBA". Hardware, software and systems described in this document are collectively referred to as "Product".

- TOSHIBA reserves the right to make changes to the information in this document and related Product without notice.
- This document and any information herein may not be reproduced without prior written permission from TOSHIBA. Even with TOSHIBA's written permission, reproduction is permissible only if reproduction is without alteration/omission.
- Though TOSHIBA works continually to improve Product's quality and reliability, Product can malfunction or fail. Customers are responsible for complying with safety standards and for providing adequate designs and safeguards for their hardware, software and systems which minimize risk and avoid situations in which a malfunction or failure of Product could cause loss of human life, bodily injury or damage to property, including data loss or corruption. Before customers use the Product, create designs including the Product, or incorporate the Product into their own applications, customers must also refer to and comply with (a) the latest versions of all relevant TOSHIBA information, including without limitation, this document, the specifications, the data sheets and application notes for Product and the precautions and conditions set forth in the "TOSHIBA Semiconductor Reliability Handbook" and (b) the instructions for the application with which the Product will be used with or for. Customers are solely responsible for all aspects of their own product design or applications, including but not limited to (a) determining the appropriateness of the use of this Product in such design or applications; (b) evaluating and determining the applicability of any information contained in this document, or in charts, diagrams, programs, algorithms, sample application circuits, or any other referenced documents; and (c) validating all operating parameters for such designs and applications. **TOSHIBA ASSUMES NO LIABILITY FOR CUSTOMERS' PRODUCT DESIGN OR APPLICATIONS.**
- **PRODUCT IS NEITHER INTENDED NOR WARRANTED FOR USE IN EQUIPMENTS OR SYSTEMS THAT REQUIRE EXTRAORDINARILY HIGH LEVELS OF QUALITY AND/OR RELIABILITY, AND/OR A MALFUNCTION OR FAILURE OF WHICH MAY CAUSE LOSS OF HUMAN LIFE, BODILY INJURY, SERIOUS PROPERTY DAMAGE AND/OR SERIOUS PUBLIC IMPACT ("UNINTENDED USE").** Except for specific applications as expressly stated in this document, Unintended Use includes, without limitation, equipment used in nuclear facilities, equipment used in the aerospace industry, Class 3 medical devices, equipment used for automobiles, and military vehicles and munitions. **IF YOU USE PRODUCT FOR UNINTENDED USE, TOSHIBA ASSUMES NO LIABILITY FOR PRODUCT.** For details, please contact your TOSHIBA sales representative or contact us via our website.
- Do not disassemble, analyze, reverse-engineer, alter, modify, translate or copy Product, whether in whole or in part.
- Product shall not be used for or incorporated into any products or systems whose manufacture, use, or sale is prohibited under any applicable laws or regulations.
- The information contained herein is presented only as guidance for Product use. No responsibility is assumed by TOSHIBA for any infringement of patents or any other intellectual property rights of third parties that may result from the use of Product. No license to any intellectual property right is granted by this document, whether express or implied, by estoppel or otherwise.
- **ABSENT A WRITTEN SIGNED AGREEMENT, EXCEPT AS PROVIDED IN THE RELEVANT TERMS AND CONDITIONS OF SALE FOR PRODUCT, AND TO THE MAXIMUM EXTENT ALLOWABLE BY LAW, TOSHIBA (1) ASSUMES NO LIABILITY WHATSOEVER, INCLUDING WITHOUT LIMITATION, INDIRECT, CONSEQUENTIAL, SPECIAL, OR INCIDENTAL DAMAGES OR LOSS, INCLUDING WITHOUT LIMITATION, LOSS OF PROFITS, LOSS OF OPPORTUNITIES, BUSINESS INTERRUPTION AND LOSS OF DATA, AND (2) DISCLAIMS ANY AND ALL EXPRESS OR IMPLIED WARRANTIES AND CONDITIONS RELATED TO SALE, USE OF PRODUCT, OR INFORMATION, INCLUDING WARRANTIES OR CONDITIONS OF MERCHANTABILITY, FITNESS FOR A PARTICULAR PURPOSE, ACCURACY OF INFORMATION, OR NONINFRINGEMENT.**
- Do not use or otherwise make available Product or related software or technology for any military purposes, including without limitation, for the design, development, use, stockpiling or manufacturing of nuclear, chemical, or biological weapons or missile technology products (mass destruction weapons). Product and related software and technology may be controlled under the applicable export laws and regulations including, without limitation, the Japanese Foreign Exchange and Foreign Trade Law and the U.S. Export Administration Regulations. Export and re-export of Product or related software or technology are strictly prohibited except in compliance with all applicable export laws and regulations.
- Please contact your TOSHIBA sales representative for details as to environmental matters such as the RoHS compatibility of Product. Please use Product in compliance with all applicable laws and regulations that regulate the inclusion or use of controlled substances, including without limitation, the EU RoHS Directive. **TOSHIBA ASSUMES NO LIABILITY FOR DAMAGES OR LOSSES OCCURRING AS A RESULT OF NONCOMPLIANCE WITH APPLICABLE LAWS AND REGULATIONS.**