



TOSHIBA

Selection Guide 2025

Power Devices



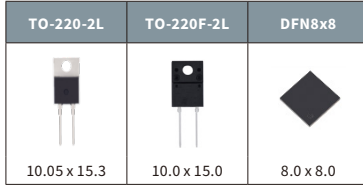
Contents

1. Diodes	3 - 10
■ SiC Schottky Barrier Diodes	
■ Schottky Barrier Diodes (SBDs)	
■ Rectifier Diodes	
■ Zener Diodes	
2. Bipolar Transistors	11 - 16
3. Discrete IGBTs	17 - 18
4. Three-Phase Brushless DC Motor Driver ICs (with Built-in Power Device)	19 - 20
■ Square-wave PWM control type	
■ Sine-wave PWM control type	
5. Low Voltage IPDs (Intelligent Power Devices)	21 - 22
■ Automotive Driver ICs	
■ Industrial Driver ICs	
6. Device Packages	23 - 27

1. Diodes

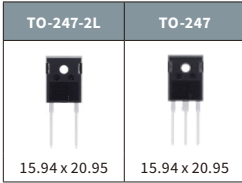
■ SiC Schottky Barrier Diodes

Package Dimensions (unit: mm)



Package	Part Number	V _{RRM} (V)	I _{F(DC)} (A)	I _{FSM} (A)	V _F max (V)		C _j / C _t typ. (pF)	I _B max (μA)	T _j max (°C)
						@I _F (A)			
DFN8x8	TRS4V65H	650	4*	28*	1.35	4	15*	55	175
	TRS6V65H	650	6*	41*	1.35	6	22*	70	
	TRS8V65H	650	8*	45*	1.35	8	29*	90	
	TRS10V65H	650	10*	54*	1.35	10	36*	100	
	TRS12V65H	650	12*	60*	1.35	12	43*	120	
TO-220-2L	TRS2E65H	650	2*	19*	1.35	2	9*	40	
	TRS2E65F	650	2	21	1.6	2	8.7	20	
	TRS3E65H	650	3*	28*	1.35	3	12*	45	
	TRS3E65F	650	3	27	1.6	3	12	20	
	TRS4E65H	650	4*	36*	1.35	4	15*	55	
	TRS4E65F	650	4	39	1.6	4	16	20	
	TRS6E65H	650	6*	41*	1.35	6	22*	70	
	TRS6E65F	650	6	55	1.6	6	22	30	
	TRS8E65H	650	8*	56*	1.35	8	29*	90	
	TRS8E65F	650	8	69	1.6	8	28	40	
	TRS10E65H	650	10*	62*	1.35	10	36*	100	
	TRS10E65F	650	10	83	1.6	10	36	50	
	TRS12E65H	650	12*	74*	1.35	12	43*	120	
	TRS12E65F	650	12	97	1.6	12	44	60	
TO-220F-2L	TRS4A65F	650	4	37	1.6	4	16	20	
	TRS6A65F	650	6	52	1.6	6	22	30	
	TRS8A65F	650	8	65	1.6	8	28	40	
	TRS10A65F	650	10	79	1.6	10	36	50	
	TRS12A65F	650	12	92	1.6	12	44	60	

* This value is under the conditions specified in the datasheet.



Package	Part Number	V_{RRM} (V)	$I_{F(DC)}$ (A)	I_{FSM} (A)	V_F max (V)		C_j / C_s typ. (pF)	I_R max (μ A)	T_j max ($^{\circ}$ C)
						@ I_F (A)			
TO-247-2L	TRS10H120H ☆	1200	10	80	1.45	10	38	80	175
	TRS15H120H ☆	1200	15	110	1.45	15	54	100	
	TRS20H120H ☆	1200	20	140	1.45	20	71	130	
	TRS30H120H ☆	1200	30	210	1.45	30	104	180	
	TRS40H120H ☆	1200	40	270	1.45	40	135	230	
TO-247 (Center Tap)	TRS12N65FB	650	12**	52*	1.6*	6	23*	30*	
	TRS16N65FB	650	16**	65*	1.6*	8	30*	40*	
	TRS20N65FB	650	20**	79*	1.6*	10	38*	50*	
	TRS24N65FB	650	24**	92*	1.6*	12	46*	60*	
	TRS10N120HB ☆	1200	10**	40*	1.45*	5	19*	50*	
	TRS15N120HB ☆	1200	15**	55*	1.45*	7.5	27*	60*	
	TRS20N120HB ☆	1200	20**	70*	1.45*	10	35*	80*	
	TRS30N120HB ☆	1200	30**	105*	1.45*	15	52*	100*	
TRS40N120HB ☆	1200	40**	135*	1.45*	20	67*	130*		

* Per Leg, **Both Legs

☆ New Products

■ Schottky Barrier Diodes (SBDs)

Package Dimensions (unit: mm)



Package	Part Number	V _{RRM} (V)	I _{F(AV)} max (A)	V _{FM} max (V)		I _{RRM} max (mA)		C _t typ. (pF)
					@I _{FM} (A)		@V _{RRM} (V)	
S-FLAT™	CRS06	20	1	0.36	1	1	20	60
	CRS01	30	1	0.37	0.7	1.5	30	40
	CRS03 #	30	1	0.45	0.7	0.1	30	40
	CRS05 #	30	1	0.45	1	0.2	30	60
	CRS10I30A #	30	1	0.39	0.7	0.06	30	50
	CRS10I30B #	30	1	0.42	1	0.06	30	50
	CRS10I30C #	30	1	0.36	1	0.1	30	82
	CRS10I30E #	30	1	0.48	1	0.05	30	30
	CRS11	30	1	0.36	1	1.5	30	60
	CRS08	30	1.5	0.36	1.5	1	30	90
	CRS09 #	30	1.5	0.46	1.5	0.05	30	90
	CRS15I30A #	30	1.5	0.46	1.5	0.06	30	50
	CRS15I30B #	30	1.5	0.4	1.5	0.1	30	82
	CRS14 #	30	2	0.49	2	0.05	30	90
	CRS20I30A #	30	2	0.49	2	0.06	30	50
	CRS20I30B #	30	2	0.45	2	0.1	30	82
	CRS15 #	30	3	0.52	3	0.05	30	90
	CRS30I30A #	30	3	0.49	3	0.1	30	82
	CRS04 #	40	1	0.49	0.7	0.1	40	47
	CRS04B #	40	1	0.49	0.7	0.05	40	22
	CRS10I40A #	40	1	0.49	0.7	0.06	40	35
	CRS10I40B #	40	1	0.45	1	0.1	40	62
	CRS10I40E #	40	1	0.55	1	0.05	40	22
	CRS15I40A #	40	1.5	0.55	1.5	0.06	40	35
	CRS20I40A #	40	2	0.6	2	0.06	40	35
	CRS20I40B #	40	2	0.52	2	0.1	40	62
	CRS30I40A #	40	3	0.55	3	0.1	40	62
	CRS12 #	60	1	0.58	1	0.1	60	40
	CRS13 #	60	1	0.55	1	0.05	60	40
	CRS10I60E #	60	1	0.62	1	0.05	60	17

AEC-Q101 qualified

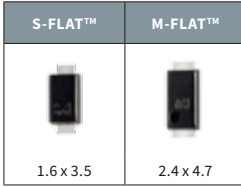


Package	Part Number	V _{RRM} (V)	I _{F(AV)} max (A)	V _{FM} max (V)		I _{RRM} max (mA)		C _j typ. (pF)
					@I _{FM} (A)		@V _{RRM} (V)	
M-FLAT™	CMS08	30	1	0.37	1	1.5	30	70
	CMS09 #	30	1	0.45	1	0.5	30	70
	CMS10I30A #	30	1	0.36	1	0.1	30	82
	CMS06	30	2	0.37	2	3	30	130
	CMS07 #	30	2	0.45	2	0.5	30	130
	CMS17 #	30	2	0.48	2	0.1	30	90
	CMS20I30A #	30	2	0.45	2	0.1	30	82
	CMS01	30	3	0.37	3	5	30	190
	CMS03 #	30	3	0.45	3	0.5	30	190
	CMS30I30A #	30	3	0.49	3	0.1	30	82
	CMS04	30	5	0.37	5	8	30	330
	CMS05	30	5	0.45	5	0.8	30	330
	CMS10 #	40	1	0.55	1	0.5	40	50
	CMS10I40A #	40	1	0.45	1	0.1	40	62
	CMS15I40A #	40	1.5	0.49	1.5	0.1	40	62
	CMS11 #	40	2	0.55	2	0.5	40	95
	CMS20I40A #	40	2	0.52	2	0.1	40	62
	CMS16 #	40	3	0.55	3	0.2	40	95
	CMS30I40A #	40	3	0.55	3	0.1	40	62
	CMS14 #	60	2	0.58	2	0.2	60	77
CMS15 #	60	3	0.58	3	0.3	60	102	

AEC-Q101 qualified

Rectifier Diodes

Package Dimensions (unit: mm)



General-Purpose Diodes

Package	Part Number	V_{RRM} (V)	$I_{F(AV)}$ (A)	I_{FSM} (A)	V_{FM} (V)		
					typ.	max	@ I_{FM} (A)
S-FLAT™	CRG11B #	400	0.4	8	0.98	1.1	0.4
	CRG07 #	400	0.7	15	1	1.1	0.7
	CRG09A #	400	1	15	0.95	1.1	0.7
	CRG09B #	400	1	10	0.95	1.1	0.7
	CRG10A #	600	0.7	15	0.95	1.1	0.7
	CRG04A #	600	1	20	0.98	1.1	1
M-FLAT™	CMG06A #	600	1	20	0.98	1.1	1
	CMG03A #	600	2	80	0.87	1.1	2

Super Fast-Recovery Diodes

Package	Part Number	V_{RRM} (V)	$I_{F(AV)}$ (A)	I_{FSM} (A)	V_{FM} (V)			t_{rr} max (ns)
					typ.	max	@ I_{FM} (A)	
S-FLAT™	CRF03A #	600	0.7	10	1.4	2	0.7	100
M-FLAT™	CMF02A #	600	1	10	1.5	2	1	100
	CMF01A #	600	2	30	1.2	2	2	100

High Efficiency Diodes (HEDs)

Package	Part Number	V_{RRM} (V)	$I_{F(AV)}$ (A)	I_{FSM} (A)	V_{FM} (V)			t_{rr} max (ns)
					typ.	max	@ I_{FM} (A)	
S-FLAT™	CRH02B #	200	0.5	10	0.88	0.95	0.5	35
	CRH02 #	200	0.5	10	0.86	0.95	0.5	35
	CRH01B #	200	1	10	0.9	0.98	1	35
	CRH01 #	200	1	15	0.9	0.98	1	35
M-FLAT™	CMH04 #	200	1	20	0.87	0.98	1	35
	CMH07 #	200	2	40	0.91	0.98	2	35
	CMH01 #	200	3	40	0.9	0.98	3	35

AEC-Q101 qualified



Package	Part Number	P (W)	V _z (V)				r _a (Ω)		αT (mV / °C)	
			min	typ.	max	@I _z (mA)	max	@I _z (mA)	typ.	max
M-FLAT™	CMZ12A # ☆	2	11.4	12	12.6	10	20	10	9	11
	CMZ13A # ☆		12.35	13	13.65	10	20	10	10	13
	CMZ15A # ☆		14.25	15	15.75	10	20	10	12	16
	CMZ16A # ☆		15.2	16	16.8	10	20	10	13	17
	CMZ18A # ☆		17.1	18	18.9	10	20	10	15	20
	CMZ20A # ☆		19	20	21	10	20	10	17	23
	CMZ24A # ☆		22.8	24	25.2	10	20	10	22	29
	CMZ27A # ☆		25.65	27	28.35	10	20	10	26	33
	CMZ30A # ☆		28.5	30	31.5	10	20	10	29	38
	CMZ33A # ☆		31.35	33	34.65	10	20	10	33	43
	CMZ36A # ☆		34.2	36	37.8	9	20	9	37	48
	CMZ39A # ☆		37.05	39	40.95	8	30	8	41	53
	CMZ43A # ☆		40.85	43	45.15	7	30	7	46	60
	CMZ47A # ☆		44.65	47	49.35	6	50	6	51	67
	CMZ51A # ☆	48.45	51	53.55	6	50	6	57	74	
	CMZB12A # ☆	1	11.4	12	12.6	10	20	10	9	11
	CMZB13A # ☆		12.35	13	13.65	10	20	10	10	13
	CMZB15A # ☆		14.25	15	15.75	10	20	10	12	16
	CMZB16A # ☆		15.2	16	16.8	10	20	10	13	17
	CMZB18A # ☆		17.1	18	18.9	10	20	10	15	20
	CMZB20A # ☆		19	20	21	10	20	10	17	23
	CMZB24A # ☆		22.8	24	25.2	10	20	10	22	29
	CMZB27A # ☆		25.65	27	28.35	10	20	10	26	33
	CMZB30A # ☆		28.5	30	31.5	10	20	10	29	38
	CMZB33A # ☆		31.35	33	34.65	10	20	10	33	43
	CMZB36A # ☆		34.2	36	37.8	9	20	9	37	48
CMZB39A # ☆	37.05		39	40.95	8	30	8	41	53	
CMZB43A # ☆	40.85		43	45.15	7	30	7	46	60	
CMZB47A # ☆	44.65		47	49.35	6	50	6	51	67	
CMZB51A # ☆	48.45	51	53.55	6	50	6	57	74		

AEC-Q101 qualified

☆ New Products



Package	Part Number	P (W)	V _Z (V)				r _d (Ω)		αT (mV/°C)	
			min	typ.	max	@I _Z (mA)	max	@I _Z (mA)	typ.	max
S-FLAT™	CRY62	#	5.6	6.2	6.8	10	60	10	2	3
	CRY68	#	6.2	6.8	7.4	10	60	10	3	4
	CRY82	#	7.4	8.2	9	10	30	10	4	6
	CRZ10	#	9	10	11	10	30	10	6	9
	CRZ12	#	10.8	12	13.2	10	30	10	8	13
	CRZ13	#	11.7	13	14.3	10	30	10	9	14
	CRZ15	#	13.5	15	16.5	10	30	10	11	17
	CRZ16	#	14.4	16	17.6	10	30	10	12	19
	CRZ18	#	16.2	18	19.8	10	30	10	14	23
	CRZ20	#	18	20	22	10	30	10	16	26
	CRZ24	#	21.6	24	26.4	10	30	10	20	32
	CRZ27	#	24.3	27	29.7	10	30	10	23	36
	CRZ30	#	27	30	33	10	30	10	25	40
	CRZ33	#	29.7	33	36.3	10	30	10	26	41
CRZ36	#	32.4	36	39.6	9	30	9	28	45	
CRZ39	#	35.1	39	42.9	8	35	8	30	48	

AEC-Q101 qualified

Part Naming Conventions

SiC Schottky Barrier Diodes

Ex.) TR S 10 A 65 F —
① ② ③ ④ ⑤ ⑥

- ① SiC Schottky Barrier Diodes
- ② Current rating $I_{F(DC)}$
Ex.) 10: $I_{F(DC)} = 10$ A
- ③ Package
A: TO-220F-2L
E: TO-220-2L
H: TO-247-2L
J: TO-3P(N)
P: DPAK
N: TO-247
V: DFN8x8

- ④ Voltage Rating V_{RRM}
Display value x 10 = V_{RRM}
Ex.) 65: $V_{RRM} = "65" \times 10 = 650$ V
- ⑤ Generation
C, D: 1st Generation
F, G: 2nd Generation
H: 3rd Generation
- ⑥ Connection
None: 1 chip
B: 2 chips & Center tap type

Schottky Barrier Diodes

New Naming Conventions

Ex.) CR S 10 I 30 A
① ② ③ ④ ⑤ ⑥

- ① Schottky Barrier Diode / package type
CM: M-FLAT™ Package
CR: S-FLAT™ Package
- ② Number of pins / Internal Connection
S: 2pins / Single
- ③ Average forward current, $I_{F(AV)}$
Ex.) 08: 0.8 A, 10: 1.0 A
- ④ Product feature
I: Low forward voltage & low leakage current
(New SBD series)
- ⑤ Reverse voltage, V_{RRM}
Ex.) 30: 30 V
- ⑥ Suffix that indicates an additional feature

Old Naming Conventions

Ex.) CR S 04 B
① ② ③ ④

- ① Package type
CM: M-FLAT™ Package
CR: S-FLAT™ Package
- ② Diode type
S: Schottky Barrier Diode
- ③ Serial number
- ④ Suffix that indicates an additional feature

Rectifier Diodes

Ex.) CR G 10 A
① ② ③ ④

- ① Package type
CM: M-FLAT™ Package
CR: S-FLAT™ Package
- ② Diode type
G: General-Purpose Diode
F: Super Fast-Recovery Diode (S-FRDs)
H: High Efficiency Diode (HEDs)
- ③ Serial number
- ④ Suffix that indicates an additional feature

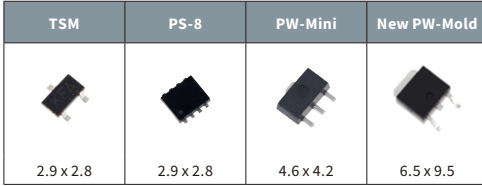
Zener Diodes

Ex.) CR Z 12 —
① ② ③ ④

- ① Package type
CM: M-FLAT™ Package
CR: S-FLAT™ Package
- ② Diode type
Y: Zener Diode ($V_Z < 10$ V)
Z, ZB: Zener Diode ($V_Z \geq 10$ V)
- ③ Zener Voltage
12: $V_Z = 12$ V
62: $V_Z = 6.2$ V
- ④ Suffix that indicates an additional feature

2. Bipolar Transistors





Package Dimensions (unit: mm)



PNP

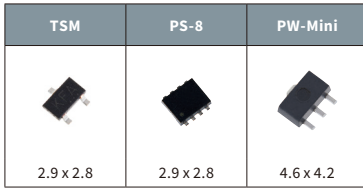
Package	Part Number	V _{CEO} (V)	I _C (A)	h _{FE}				V _{CE(sat)} max (V)			f _T typ. (MHz)	Complementary Product	Note	
				min	max	@V _{CE} (V)	@I _C (A)	@I _C (A)	@I _B (A)					
TSM	2SA2065	-20	-1.5	200	500	-2	-0.15	-0.14	-0.5	-0.017	-	-	Low Saturation	
	2SA2061	-20	-2.5	200	500	-2	-0.5	-0.19	-1.6	-0.053	-	-	Low Saturation	
	TTA007	-50	-1	200	500	-2	-0.1	-0.2	-0.3	-0.01	-	-	Low Saturation	
	2SA2056	-50	-2	200	500	-2	-0.3	-0.2	-1	-0.033	-	-	Low Saturation	
PS-8	TPCP8601	-20	-4	200	500	-2	-0.6	-0.19	-2	-0.067	-	-	Low Saturation	
	TPCP8602	-50	-2.5	200	500	-2	-0.3	-0.2	-1	-0.033	-	-	Low Saturation	
	TPCP8608	-50	-3	200	500	-2	-0.3	-0.18	-1	-0.033	-	-	Low Saturation	
	TPCP8605	-50	-5	200	500	-2	-0.5	-0.27	-1.6	-0.053	-	-	Low Saturation	
	TPCP8606	-80	-4	100	200	-2	-0.4	-0.22	-1.2	-0.12	-	-	Low Saturation	
	TPCP8607	-120	-2.5	120	240	-2	-0.25	-0.32	-0.75	-0.075	-	-	Low Saturation	
	TPCP8604	-400	-0.3	140	450	-5	-0.02	-1	-0.1	-0.01	35	-	Low Saturation	
PW-Mini	2SA2069	#	-20	-1.5	200	500	-2	-0.15	-0.14	-0.5	-0.017	-	-	Low Saturation
	2SA2059	#	-20	-3	200	500	-2	-0.5	-0.19	-1.6	-0.053	-	-	Low Saturation
	TTA2070	☆	-50	-1	200	500	-2	-0.1	-0.2	-0.3	-0.01	-	-	Low Saturation
	2SA2070	#	-50	-1	200	500	-2	-0.1	-0.2	-0.3	-0.01	-	-	Low Saturation
	2SA1213	#	-50	-2	70	240	-2	-0.5	-0.5	-1	-0.05	120	2SC2873	Low Saturation
	2SA1681	#	-50	-2	120	400	-2	-0.1	-0.5	-1	-0.05	100	2SC4409	Low Saturation
	2SA2060	#	-50	-2	200	500	-2	-0.3	-0.2	-1	-0.033	-	-	Low Saturation
	TTA2060	#	-50	-2	200	500	-2	-0.3	-0.18	-1	-0.033	-	-	Low Saturation
	2SA1736	#	-50	-3	120	400	-2	-0.1	-0.5	-1.5	-0.075	100	2SC4541	Low Saturation
	TTA011	#	-50	-5	200	500	-2	-0.5	-0.27	-1.6	-0.053	-	-	Low Saturation
	2SA2206	#	-80	-2	100	200	-2	-0.5	-0.3	-0.5	-0.05	100	2SC6124	Low Saturation
	TTA012	#	-80	-4	100	200	-2	-0.4	-0.22	-1.2	-0.12	-	-	Low Saturation
	2SA1201	#	-120	-0.8	80	240	-5	-0.1	-1	-0.5	-0.05	120	2SC2881	Power Amps Driver
	TTA013	#	-120	-2.5	120	240	-2	-0.25	-0.32	-0.75	-0.075	-	-	Low Saturation
	2SA1971	#	-400	-0.5	140	450	-5	-0.02	-1	-0.1	-0.01	35	-	Low Saturation
	TTA010	#	-500	-0.1	100	300	-10	-0.02	-0.3	-0.02	-0.002	-	TTC018	Low Saturation
New PW-Mold	2SA1241	#	-50	-2	70	240	-2	-0.5	-1	-0.05	100	2SC3076	Low Saturation	
	2SA1244	#	-50	-5	70	240	-1	-1	-0.4	-3	-0.15	60	-	Low Saturation
	2SA2097	#	-50	-5	200	500	-2	-0.5	-0.27	-1.6	-0.053	-	-	Low Saturation
	TTA2097	#	-50	-5	200	500	-2	-0.5	-0.27	-1.6	-0.053	-	-	Low Saturation
	TTA005	#	-50	-5	200	500	-2	-0.5	-0.27	-1.6	-0.053	-	-	Low Saturation
	2SB906	#	-60	-3	60	200	-5	-0.5	-1.7	-3	-0.3	9	-	Low Saturation
	TTB002	#	-60	-3	100	250	-5	-0.5	-0.5	-0.6	-0.06	9	-	Low Saturation
	TTA003	#	-80	-3	100	200	-2	-0.5	-0.3	-0.5	-0.05	100	-	Low Saturation
	TTA009	#	-80	-3	100	200	-2	-0.5	-0.5	-1	-0.1	100	-	Low Saturation
	TTA014	#	-120	-2.5	120	240	-2	-0.25	-0.35	-0.75	-0.075	-	-	Low Saturation
	2SA1225	#	-160	-1.5	70	240	-5	-0.1	-1.5	-0.5	-0.05	100	-	Low Saturation
	2SA2034	#	-400	-2	80	240	-5	-0.1	-1	-0.5	-0.1	-	-	Low Saturation
	2SA2184	#	-550	-1	80	300	-5	-0.1	-0.7	-0.3	-0.06	27	-	Low Saturation
	2SA2142	#	-600	-0.5	70	500	-5	-0.001	-1	-0.1	-0.01	35	-	Low Saturation

☆ New Products, #AEC-Q101 qualified

TO-126N	TO-220SIS	TO-3P(N)	TO-3P(L)
			
8.0 x 11.0	10.0 x 15.0	15.5 x 20.0	20.0 x 26.0

Package	Part Number	V _{CE0} (V)	I _C (A)	h _{FE}				V _{CE(sat)} max (V)			f _T typ. (MHz)	Complementary Product	Note
				min	max	@V _{CE} (V)	@I _C (A)	@I _C (A)	@I _B (A)				
TO-126N	TTA008B	-80	-2	100	200	-2	-0.5	-0.5	-1	-0.1	100	TTC015B	Low Saturation
	TTB1067B %	-80	-2	2000	-	-2	-1	-1.5	-1	-0.001	50	TTD1509B	
	TTA004B	-160	-1.5	140	280	-5	-0.1	-0.5	-0.5	-0.05	100	TTC004B	Power Amps Driver
	TTA006B	-230	-1	100	320	-5	-0.1	-1.5	-0.5	-0.05	70	TTC011B	Power Amps Driver
TO-220SIS	TTA1452B	-80	-12	120	240	-1	-1	-0.4	-6	-0.3	50	TTC3710B	Low Saturation
	TTB1020B %	-100	-7	2000	15000	-3	-3	-1.5	-3	-0.006	-	TTD1415B	
TO-3P(N)	2SA1941	-140	-10	55	160	-5	-1	-2	-7	-0.7	30	2SC5198	Power Amps Output
	TTA0001	-160	-18	80	160	-5	-1	-2	-9	-0.9	30	TTC0001	Power Amps Output
	2SA2120	-200	-12	55	160	-5	-1	-3	-8	-0.8	25	2SC5948	Power Amps Output
	2SA1943N	-230	-15	80	160	-5	-1	-3	-8	-0.8	30	2SC5200N	Power Amps Output
	2SA1962	-230	-15	55	160	-5	-1	-3	-8	-0.8	30	2SC5242	
	2SA1986	-230	-15	55	160	-5	-1	-3	-8	-0.8	30	2SC5358	
TO-3P(L)	2SA1942	-160	-12	55	160	-5	-1	-2.5	-8	-0.8	30	2SC5199	Power Amps Output
	TTA0002	-160	-18	80	160	-5	-1	-2	-9	-0.9	30	TTC0002	Power Amps Output
	2SA2121	-200	-15	55	160	-5	-1	-3	-10	-1	25	2SC5949	Power Amps Output
	2SA1943	-230	-15	55	160	-5	-1	-3	-8	-0.8	30	2SC5200	
	2SA1987	-230	-15	55	160	-5	-1	-3	-8	-0.8	30	2SC5359	Power Amps Output
	TTA1943	-230	-15	80	160	-5	-1	-3	-8	-0.8	30	TTC5200	Power Amps Output







% Darlington



NPN

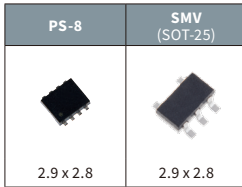
Package	Part Number	V _{CEO} (V)	I _C (A)	h _{FE}				V _{CE(sat)} max (V)			f _T typ. (MHz)	Complementary Product	Note
				min	max	@V _{CE} (V)	@I _C (A)	@I _C (A)	@I _B (A)				
TSM	2SC5784	20	1.5	400	1000	2	0.15	0.12	0.5	0.01	-	-	Low Saturation
	2SC5738	20	3.5	400	1000	2	0.5	0.15	1.6	0.032	-	-	Low Saturation
	2SC5976	30	3	250	400	2	0.3	0.14	1	0.033	-	-	Low Saturation
	TTC007	50	1	400	1000	2	0.1	0.12	0.3	0.006	-	-	Low Saturation
	2SC5692	50	2.5	400	1000	2	0.3	0.14	1	0.02	-	-	Low Saturation
	2SC6033	50	2.5	250	400	2	0.3	0.18	1	0.033	-	-	Low Saturation
	2SC5703	50	4	400	1000	2	0.5	0.12	1.6	0.032	-	-	Low Saturation
	2SD2719 % \$	60±10	0.8	2000	-	2	1	1.2	0.5	0.001	-	-	
2SC6061	120	1	120	300	2	0.1	0.14	0.3	0.01	-	-	Low Saturation	
PS-8	TPCP8515 ☆	12	5	250	500	2	0.5	0.14	2	0.067	-	-	Low Saturation
	TPCP8701 &	50	3	400	1000	2	0.3	0.14	1	0.02	-	-	Low Saturation
	TPCP8505	50	3	400	1000	2	0.3	0.14	1	0.02	-	-	Low Saturation
	TPCP8516	50	3	400	1000	2	0.3	0.14	1	0.02	-	-	Low Saturation
	TPCP8511	50	3	250	400	2	0.3	0.18	1	0.033	-	-	Low Saturation
	TPCP8512	50	5	400	1000	2	0.5	0.21	1.6	0.032	-	-	Low Saturation
	TPCP8513	80	4	100	200	2	0.4	0.17	1.2	0.12	-	-	Low Saturation
	TPCP8507	120	1	120	300	2	0.1	0.14	0.3	0.01	-	-	Low Saturation
PW-Mini	TPCP8510	120	1	120	300	2	0.1	0.14	0.3	0.01	-	-	Low Saturation
	TPCP8514	120	3	120	240	2	0.3	0.15	1	0.1	-	-	Low Saturation
	TTC022 ☆ #	12	5	250	500	2	0.5	0.14	2	0.067	-	-	Low Saturation
	2SC5819 #	20	1.5	400	1000	2	0.15	0.12	0.5	0.01	-	-	Low Saturation
	2SC5714 #	20	4	400	1000	2	0.5	0.15	1.6	0.032	-	-	Low Saturation
	TTC5810 ☆ #	50	1	400	1000	2	0.1	0.12	0.3	0.006	-	-	Low Saturation
	2SC5810 #	50	1	400	1000	2	0.1	0.17	0.3	0.006	-	-	Low Saturation
	2SC2873 #	50	2	70	240	2	0.5	0.5	1	0.05	120	2SA1213	Low Saturation
	2SC4409 #	50	2	120	400	2	0.1	0.5	1	0.05	100	2SA1681	Low Saturation
	2SC4541 #	50	3	120	400	2	0.1	0.5	1.5	0.075	100	2SA1736	Low Saturation
	2SC5712 #	50	3	400	1000	2	0.3	0.14	1	0.02	-	-	Low Saturation
	TTC5712 #	50	3	400	1000	2	0.3	0.14	1	0.02	-	-	Low Saturation
	2SC6126 #	50	3	250	400	2	0.3	0.18	1	0.033	-	-	Low Saturation
	TTC019 #	50	5	400	1000	2	0.5	0.21	1.6	0.032	-	-	Low Saturation
	2SD2686 % \$ #	60±10	1	2000	-	2	1	1.2	0.5	0.001	-	-	
	2SC6124 #	80	2	100	200	2	0.5	0.3	0.5	0.05	150	2SA2206	Low Saturation
	TTC020 #	80	4	100	200	2	0.4	0.17	1.2	0.12	-	-	Low Saturation
	2SC2881 #	120	0.8	80	240	5	0.1	1	0.5	0.05	120	2SA1201	Power Amps Driver
	TTC021 #	120	3	120	240	2	0.3	0.15	1	0.1	-	-	Low Saturation
	TTC005 #	285	1	80	200	5	0.001	1	0.6	0.075	-	-	
TTC013 #	350	0.5	100	200	5	0.05	0.3	0.16	0.02	-	-	Low Saturation	
TTC018 #	500	0.1	100	300	10	0.02	0.3	0.02	0.002	-	TTA010	Low Saturation	

% Darlington, \$ Built-in Active Clamp Zener Diode, & NPN + NPN, ☆ New Products, # AEC-Q101 qualified

New PW-Mold	TO-126N	New PW-Mold2	TO-220SIS	TO-3P(N)	TO-3P(L)
					
6.5 x 9.5	8.0 x 11.0	6.5 x 5.5	10.0 x 15.0	15.5 x 20.0	20.0 x 26.0

Package	Part Number	V _{CEO} (V)	I _C (A)	h _{FE}				V _{CE(sat)} max (V)			f _T typ. (MHz)	Complementary Product	Note	
				min	max	@V _{CE} (V)	@I _C (A)	@I _C (A)	@I _B (A)					
New PW-Mold	2SC3076	#	50	2	70	240	2	0.5	0.5	1	0.05	80	2SA1241	Low Saturation
	2SC5886A	#	50	5	400	1000	2	0.5	0.22	1.6	0.032	-	-	Low Saturation
	TTC5886A		50	5	400	1000	2	0.5	0.22	1.6	0.032	-	-	Low Saturation
	TTC016	#	50	5	400	1000	2	0.5	0.22	1.6	0.032	-	-	Low Saturation
	2SC6076	#	80	3	180	450	2	0.5	0.3	0.5	0.05	150	-	Low Saturation
	TTC017	#	80	3	180	450	2	0.5	0.5	1	0.1	150	-	Low Saturation
	2SD1223	% #	80	4	2000	-	2	1	1.5	3	0.006	-	-	
	2SC3303	#	80	5	70	240	1	1	0.4	3	0.15	120	-	Low Saturation
	TTC023		120	3	120	240	2	0.3	0.19	1	0.1	-	-	Low Saturation
	2SC5548A	#	400	2	40	100	5	0.2	1	0.8	0.1	-	-	
	2SC6127	#	800	0.05	15	-	5	0.007	1	0.02	0.004	15	-	
TTC014	#	800	1	100	200	5	0.1	1	0.5	0.05	-	-		
TO-126N	TTC015B	#	80	2	100	200	2	0.5	0.5	1	0.1	150	TTA008B	Low Saturation
	TTD1509B	%	80	2	2000	-	2	1	1.5	1	0.001	100	TTB1067B	
	TTC004B		160	1.5	140	280	5	0.1	0.5	0.5	0.05	100	TTA004B	Power Amps Driver
	TTC011B		230	1	100	320	5	0.1	1.5	0.5	0.05	100	TTA006B	Power Amps Driver
	TTC5460B		800	0.05	15	-	5	0.007	1	0.02	0.004	5.5	-	
New PW-Mold2	TTC008	#	285	1.5	100	200	5	0.3	1	0.5	0.0625	-	-	
	2SC6142	#	375	1.5	100	200	5	0.1	0.9	0.8	0.1	-	-	
TO-220SIS	TTC3710B		80	12	120	240	1	1	0.4	6	0.3	80	TTA1452B	Low Saturation
	TTD1415B	%	100	7	2000	15000	3	3	1.5	3	0.006	-	TTB1020B	
	TTD1410B	%	250	6	2000	-	2	2	2	4	0.04	-	-	
	TTD1409B	%	400	6	600	-	2	2	2	4	0.04	-	-	
TO-3P(N)	2SC5198		140	10	55	160	5	1	2	7	0.7	30	2SA1941	Power Amps Output
	TTC0001		160	18	80	160	5	1	2	9	0.9	30	TTA0001	Power Amps Output
	2SC5948		200	12	55	160	5	1	2	8	0.8	30	2SA2120	Power Amps Output
	2SC5200N		230	15	80	160	5	1	3	8	0.8	30	2SA1943N	Power Amps Output
	2SC5242		230	15	55	160	5	1	3	8	0.8	30	2SA1962	Power Amps Output
	2SC5358		230	15	55	160	5	1	3	8	0.8	30	2SA1986	Power Amps Output
	2SC5354		800	5	15	60	5	0.5	1	2	0.4	-	-	
TO-3P(L)	2SC5199		160	12	55	160	5	1	2.5	8	0.8	30	2SA1942	Power Amps Output
	TTC0002		160	18	80	160	5	1	2	9	0.9	30	TTA0002	Power Amps Output
	2SC5949		200	15	55	160	5	1	3	10	1	30	2SA2121	Power Amps Output
	2SC5200		230	15	55	160	5	1	3	8	0.8	30	2SA1943	Power Amps Output
	2SC5359		230	15	55	160	5	1	3	8	0.8	30	2SA1987	Power Amps Output
	TTC5200		230	15	80	160	5	1	3	8	0.8	30	TTA1943	Power Amps Output

% Darlington, # AEC-Q101 qualified

**PNP + NPN**

Package	Part Number	Polarity	V _{CEO} (V)	I _C (A)	h _{FE}				V _{CE(sat)} max (V)			f _r typ. (MHz)	Note
					min	max	@V _{CE} (V)	@I _C (A)	@I _C (A)	@I _B (A)			
SMV	HN4B101J	PNP	-30	-1	200	500	-2	-0.12	-0.2	-0.4	-0.013	-	Low Saturation
		NPN	30	1.2	200	500	2	0.12	0.17	0.4	0.013	-	
	HN4B102J	PNP	-30	-1.8	200	500	-2	-0.2	-0.2	-0.6	-0.02	-	Low Saturation
		NPN	30	2	200	500	2	0.2	0.14	0.6	0.02	-	
PS-8	TPCP8901	PNP	-50	-0.8	200	500	-2	-0.1	-0.2	-0.3	-0.01	-	Low Saturation
		NPN	50	1	400	1000	2	0.1	0.17	0.3	0.006	-	
	TPCP8902	PNP	-30	-2	200	500	-2	-0.2	-0.2	-0.6	-0.02	-	Low Saturation
		NPN	30	2	200	500	2	0.2	0.14	0.6	0.02	-	

NPN + N-ch MOSFET

Package	Part Number	Component Devices	V _{CEO} / V _{DSS} (V)	I _C / I _D (A)	h _{FE}				V _{CE(sat)} max (V) / R _{DS(ON)} max (Ω)			f _r typ. (MHz)	Note
					min	max	@V _{CE} (V)	@I _C (A)	@I _C (A) / V _{GS} (V)	@I _B (A) / I _D (A)			
PS-8	TPCP8H02	NPN	30	3	250	400	2	0.3	0.14	1	0.033	-	Low Saturation
		MOSFET	20	0.1	-	-	-	-	3	4	0.01	-	

NPN + HED

Package	Part Number	Component Devices	V _{CEO} / V _{RRM} (V)	I _C / I _{F(AV)} (A)	h _{FE}				V _{CE(sat)} max (V) / V _{FM} max (V)			t _{rr} max (ns)	Note
					min	max	@V _{CE} (V)	@I _C (A)	@I _C / I _{FM} (A)	@I _B (A)			
PS-8	TPCP8L01 %	NPN	120	0.9	2000	9000	2	1	1.5	1	0.001	-	
		HED	200	1	-	-	-	-	0.98	1	-	60	

% Darlington

Part Naming Conventions

Bipolar Transistors

JEITA registration Item Series

Ex.) 2 S A ※※※※ N

① ② ③ ④ ⑤

- ① The value that subtracted 1 from the total number of terminals.
- ② S stands for Semiconductor
- ③ The kind of circuit
This section shows the kind of the circuit of a product. It is classified into form A to D by the circuit of a product.
 - A: a transistor of high-frequency and PNP structure
 - B: a transistor of low-frequency and PNP structure
 - C: a transistor of high-frequency and NPN structure
 - D: a transistor of low-frequency and NPN structure
- ④ Serial number
JEITA registration numbers.
- ⑤ Changes
The additional symbol which shows some changes.

TT※※※※ Series

Ex.) TT A ※※※※ B

① ② ③ ④

- ① Bipolar Transistor
- ② The kind of circuit
This section shows the kind of the circuit of a product. It is classified into form A to D by the circuit of a product.
 - A: a transistor of high-frequency and PNP structure
 - B: a transistor of low-frequency and PNP structure
 - C: a transistor of high-frequency and NPN structure
 - D: a transistor of low-frequency and NPN structure
- ③ Serial number
- ④ Changes
The additional symbol which shows some changes.

TPCP8※※※ Series

Ex.) TPCP8 5 05

① ② ③

- ① Package: PS-8 Series
- ② The kind of circuit
 - 5: NPN transistor, Single
 - 6: PNP transistor, Single
 - 7: NPN transistor, Dual
 - 8: PNP transistor, Dual
 - 9: PNP transistor + NPN transistor
 - C: NPN transistor + SBD
 - D: PNP transistor + SBD
 - F: PNP transistor + N-ch MOSFET
 - G: PNP transistor + P-ch MOSFET
 - H: NPN transistor + N-ch MOSFET
 - J: NPN transistor + P-ch MOSFET
 - L: NPN transistor + HED
 - M: PNP transistor + HED
 - N: NPN transistor + Diode
 - P: NPN transistor + Diode
- ③ Serial number

HN※※※※ Series




Ex.) HN 4 B 101 J

① ② ③ ④ ⑤

- ① HN means Multi Chip Device
- ② Internal connection
 - 1: Point symmetrical arrangement
 - 2: Parallel arrangement
 - 3: Cascade arrangement
 - 4: Common use of emitter or source or base
 - 7: Different types of transistors are arranged
- ③ The kind of the devices being loaded
 - A: PNP transistor x 2
 - B: PNP transistor + NPN transistor
 - C: NPN transistor x 2
 - D: general SW diode
 - E: transistor + diode
 - G: different types of transistors
 - S: SBD
- ④ Serial number
- ⑤ Package type
 - JE: ESV FU: US6
 - JU: USV F: SM6
 - J: SMV FS: fS6
 - FE: ES6

3. Discrete IGBTs

Package Dimensions (unit: mm)

TO-220SIS	TO-3P(N)	TO-247
		
10.0 x 15.0	15.5 x 20.0	15.94 x 20.95

Package	Part Number	V _{CE(sat)} (V)	I _c (A)	V _{CE(sat)} typ. (V)			t _r typ. (μs)			t _{rr} typ. (μs)	Note	
				@V _{GE} (V)	@I _c (A)		@V _{CC} (V)	@I _c (A)	Load Condition			
TO-220SIS	GT15J341 ◆	600	15	1.5	15	15	0.08	300	15	Inductive	0.08	Hard switching
	GT20J121	600	20	1.25	15	20	0.27	300	20	Resistive	-	Partial PFC
	GT20J341 ◆	600	20	1.5	15	20	0.05	300	20	Inductive	0.09	Hard switching
TO-3P(N)	GT30J122A	600	30	1.7	15	50	0.2	300	50	Resistive	-	Partial PFC
	GT50JR21 ◆	600	50	1.45	15	50	0.08	300	50	Resistive	0.35	Current resonant
	GT50JR22 ◆	600	50	1.55	15	50	0.05	300	50	Resistive	0.35	Current resonant
	GT30J341 ◆	600	59	1.5	15	30	0.04	300	30	Inductive	0.05	Hard switching
	GT50J123	600	59	1.9	15	50	0.04	300	30	Inductive	-	Hard switching
	GT30J65MRB ◆	650	60	1.4	15	30	0.04	400	15	Inductive	0.2	Active PFC
	GT30J110SRA ◆	1100	60	1.6	15	30	0.17	600	60	Resistive	-	Voltage resonant
	GT60PR21 ◆	1100	60	2	15	60	0.16	600	60	Resistive	0.6	Voltage resonant
	GT40QR21 ◆	1200	40	1.9	15	40	0.2	600	40	Resistive	0.6	Voltage resonant
GT40RR21 ◆	1350	40	2.05	15	40	0.21	600	40	Resistive	0.6	Voltage resonant	
TO-247	GT20N135SRA ◆	1350	40	2	15	40	0.25	600	40	Resistive	-	Voltage resonant
	GT30N135SRA ◆	1350	60	2.15	15	60	0.25	600	60	Resistive	-	Voltage resonant

◆ Built-in Diode

Part Naming Conventions

Discrete IGBTs

New Naming Conventions

(New products after 2019)

Ex.) GT 20 N 135 S R A
① ② ③ ④ ⑤ ⑥ ⑦

- ① Discrete IGBT
- ② Maximum DC Collector Current
 $I_C \text{ max @} T_c = 100 \text{ }^\circ\text{C}$
(Note: this rating is defined relative to the equivalent class of non-isolated packages in case of isolation packages.)
- ③ Package
A: TO-220SIS E: TO-220
J: TO-3P(N) N: TO-247
P: DPAK / New PW-Mold
- ④ Maximum Collector-emitter Voltage V_{CES}
 V_{CES} Divided by 10
Ex.) 65: 650 V (= 65 x 10)
110: 1100 V (= 110 x 10)
135: 1350 V (= 135 x 10)
- ⑤ Major application
H: for hard switching application
S: for soft switching application
M: other or special application
- ⑥ Type (Structure)
1: Single die of IGBT
2: Co-pack of IGBT and Diode (FWD)
R: RC-IGBT
- ⑦ Generation or Die design rule
A: 6th & 6.5th generation
B: 7th generation

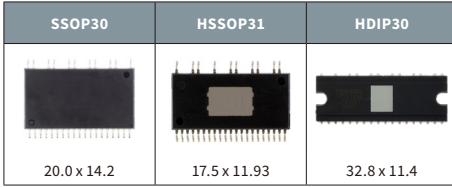
Conventional Naming

Ex.) GT 30 J 1 22 A
① ② ③ ④ ⑤ ⑥

- ① Discrete IGBT
- ② Collector current rating (I_C)
- ③ Voltage rating (V_{CES})
C: 150 (V) D: 200 (V) E: 250 (V)
F: 300 (V) G: 400 (V) H: 500 (V)
J: 600 (V) K: 700 (V) L: 800 (V)
M: 900 (V) N: 1000 (V) P: 1100 (V)
Q: 1200 (V) R: 1300 (V) S: 1400 (V)
T: 1500 (V) U: 1600 (V) V: 1700 (V)
W: 1800 (V)
- ④ Type
1: N-ch
2: P-ch
3: N-ch with built-in freewheeling diode
R: N-ch RC-IGBT with built-in freewheeling diode
- ⑤ Serial number
- ⑥ Version

4. Three-Phase Brushless DC Motor Driver ICs (with Built-in Power Device)

Package Dimensions (unit: mm)



■ Square-wave PWM control type

Package	Part Number	V _{BB} (V)	I _{out} (A)	V _{CEsat} max (V)		Hall sensor input	FGC Rotate Pulse Select	Forward Reverse select	Protection Functions			
				High Side	Low Side				Current Limit	Over Current	TSD	UVLO
HSSOP31	TPD4162F	600	0.7	3	3	✓	✓	-	✓	✓	✓	✓
	TPD4166F	600	1	3	3	✓	✓	-	✓	✓	✓	✓

■ Sine-wave PWM control type

Package	Part Number	V _{BB} (V)	I _{out} (A)	V _{CEsat} max (V)		R _{DS(on)} max (Ω)		Protection Functions			Diagnosis Functions
				High Side	Low Side	High Side	Low Side	Over Current	TSD	UVLO	
SSOP30	TPD4206F	500	2.5	-	-	2.3	2.3	✓	✓	✓	✓
	TPD4204F	600	2.5	-	-	3.2	3.2	✓	✓	✓	✓
	TPD4207F	600	5	-	-	0.56	0.56	✓	✓	✓	✓
HSSOP31	TPD4163F	600	1	3.3	3.3	-	-	✓	✓	✓	✓
	TPD4164F	600	2	3.7	3.7	-	-	✓	✓	✓	✓
HDIP30	TPD4163K ☆	600	1	3.3	3.3	-	-	✓	✓	✓	✓
	TPD4164K ☆	600	2	3.7	3.7	-	-	✓	✓	✓	✓
	TPD4165K ☆	600	3	3.3	3.3	-	-	✓	✓	✓	✓

☆ New Products

Part Naming Conventions

Three-Phase Brushless DC Motor Driver ICs (with Built-in Power Device)

Ex.) TPD 41 62 F


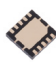
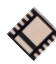


① ② ③ ④

- ① TPD means intelligent power device [Three-Phase Brushless DC Motor Driver (with Built-in Power Device)]
- ② Three-phase brushless DC motor driver
 - 41: Monolithic type
 - 42: Multi-Chip module type
- ③ Serial number
- ④ Package
 - F: HSSOP31 or SSOP30
 - K: HDIP30

5. Low Voltage IPDs (Intelligent Power Devices)

Package Dimensions (unit: mm)

Automotive Driver ICs

PS-8	WSON10	WSON10A	SSOP16	SSOP30
	Bottom View 	Bottom View 		
2.9 x 2.8	3.0 x 3.0	3.0 x 3.0	5.0 x 6.4	10.2 x 7.6

High-side Switches

Package	Part Number	V _{bat} (V)	I _o / I _{OUT} (A)	R _{DS(on)} max (Ω)	V _{bat(opr)} (V)	T _{j(opr)} (°C)	Protective Functions			Diagnosis Functions		
							Over Current	TSD	Active Clamp	Over Current	TSD	Open Load
PS-8	TPD1052F #	-0.3 to 25	0.8	0.8	5 to 18	-40 to 125	✓	✓	-	✓	✓	-
WSON10	TPD1055FA #	-0.3 to 25	3	0.12	5 to 18	-40 to 125	✓	✓	-	✓	✓	✓

Low-side Switches

Package	Part Number	V _{OUT} (V)	I _{OUT} (A)	R _{DS(on)} max (Ω)	V _{DD(opr)} (V)	T _{j(opr)} (°C)	Protection Functions			Diagnosis Functions		
							Over Current	TSD	Active Clamp	Over Current	TSD	Open Load
PS-8	TPD1054F #	40	1	0.8	4.5 to 5.5	-40 to 125	✓	✓	✓	✓	✓	✓
WSON10	TPD1058FA #	40	6	0.1	4.5 to 5.5	-40 to 125	✓	✓	✓	✓	✓	✓

MOSFET Gate Drivers

Package	Part Number	V _{bat} (V)	I _{OUT} (A)	V _{bat(opr)} (V)	T _{j(opr)} (°C)	Protect Function and Features	Topology
PS-8	TPD7104AF #	-0.3 to 24	Source: Internal capacity Sink: 5 mA	5 to 18	-40 to 125	<ul style="list-style-type: none"> Built-in charge pump circuit Over current protection and diagnostic output Reverse battery protection 	High-side switch
SSOP16	TPD7106F #	-18 to 27	Source: -10 mA Sink: 10 mA / 0.4 A	4.5 to 27	-40 to 150	<ul style="list-style-type: none"> Built-in charge pump circuit Diagnosis output for under voltage of charge pump circuit Reverse battery protection Rapidly shut down by control pin (+400 mA) 	
WSON10A	TPD7107F #	-16 to 26	Source: Internal capacity Sink: 5 mA	5.75 to 26	-40 to 125	<ul style="list-style-type: none"> Built-in charge pump circuit Power supply voltage unusual protection and diagnostic output (Under voltage, Over voltage, Reverse battery) Load current sensing Over current protection and diagnostic output Thermal protection and diagnostic output Abnormalities in Drain-source voltage of external N-ch MOSFET Protection for disconnection of GND terminal V_{DD} short of load line (Short circuit between source of external N-ch MOSFET and V_{DD}) Disconnection of load line 	
SSOP30	TPD7212FN # @	-0.3 to 25	+1.5 / -1	4.5 to 18	-40 to 150	<ul style="list-style-type: none"> Built-in charge pump circuit Power supply unusual protection and diagnostic output Output voltage unusual protection and diagnostic output 	3ch half-bridge

AEC-Q100 qualified
@ Dry-packed

■ Industrial Driver ICs

High-side Switch

Package	Part Number	V _{DD} (V)	I _{OUT} (A)	R _{DS(ON)} max (Ω)	V _{DD(opr)} (V)	T _{J(opr)} (°C)	Protective Functions			Diagnosis Functions			Number of Switch channels
							Over Current	TSD	Active Clamp	Over Current	TSD	Open Load	
SSOP30	TPD2015FN	@ -0.3 to 40	1	0.55	8 to 40	-40 to 110	✓	✓	-	-	-	-	8ch

Low-side Switch

Package	Part Number	V _{DS(DC)} / V _{OUT} (V)	I _D / I _{OUT} (A)	R _{DS(ON)} max (Ω)	V _{SV(opr)} (V)	T _{J(opr)} (°C)	Protection Functions			Diagnosis Functions			Number of Switch channels
							Over Current	TSD	Active Clamp	Over Current	TSD	Open Load	
SSOP30	TPD2017FN	@ Up to 40	1	0.55	2.7 to 5.5	-40 to 110	✓	✓	✓	-	-	-	8ch

MOSFET Gate Driver

Package	Part Number	V _{DD} (V)	I _{OUT} (A)	V _{DD(opr)} (V)	T _{J(opr)} (°C)	Protect Function and Features	Topology
PS-8	TPD7211F	-0.3 to 35	±0.5	5 to 18	-40 to 125	•High-side P-ch MOSFET drive	1ch half-bridge

@ Dry-packed

Part Naming Conventions

Low Voltage IPDs

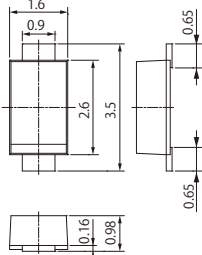
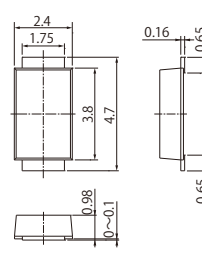
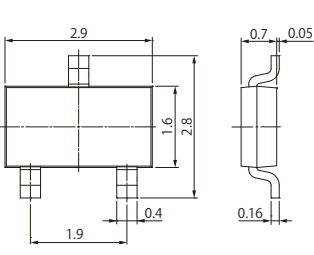
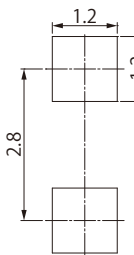
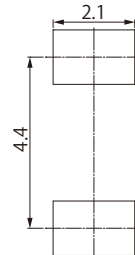
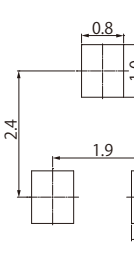
Ex.) TPD 10 55 F A

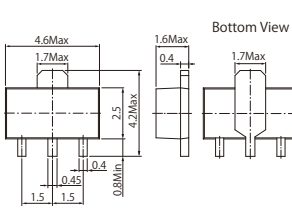
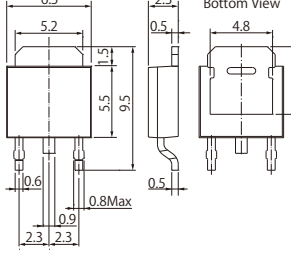
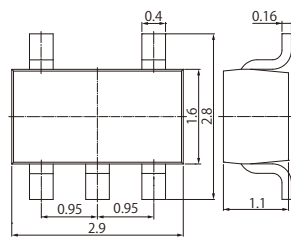
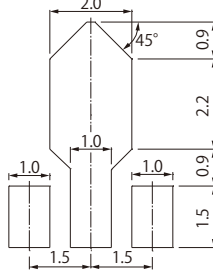
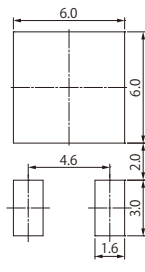
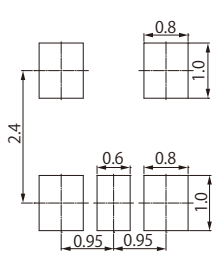
① ② ③ ④ ⑤

- ① TPD means intelligent power device
- ② The type of topology
 - 10: Single or dual switch
 - 20: Multi output switch
 - 71: High-side MOSFET gate driver
 - 72: Bridge MOSFET gate driver
- ③ Serial number
- ④ Package
 - F: Surface mount type
 - FN: Flat Package (2 direction SOP Lead Pitch 0.65 mm)
- ⑤ Changes
 - The additional symbol which shows some changes.

6. Device Package

Surface Mount Type

S-FLAT™ (1.6 x 3.5)		M-FLAT™ (2.4 x 4.7)		TSM (2.9 x 2.8)	
<p>Package dimension unit: mm</p> 	<p>Package dimension unit: mm</p> 	<p>Package dimension unit: mm</p> 			
<p>Land pattern example unit: mm</p> 	<p>Land pattern example unit: mm</p> 	<p>Land pattern example unit: mm</p> 			

PW-Mini (4.6 x 4.2)		New PW-Mold (6.5 x 9.5)		SMV (SOT-25) (2.9 x 2.8)	
<p>Package dimension unit: mm</p> 	<p>Package dimension unit: mm</p> 	<p>Package dimension unit: mm</p> 			
<p>Land pattern example unit: mm</p> 	<p>Land pattern example unit: mm</p> 	<p>Land pattern example unit: mm</p> 			

DFN8x8 (8.0 x 8.0)	PS-8 (2.9 x 2.8)	WSN10 (3.0 x 3.0)
<p>Package dimension unit: mm</p> <p>Bottom View</p>	<p>Package dimension unit: mm</p> <p>Bottom View</p>	<p>Package dimension unit: mm</p> <p>Bottom View</p>
<p>Land pattern example unit: mm</p>	<p>Land pattern example unit: mm</p>	<p>Land pattern example unit: mm</p>

WSN10A (3.0 x 3.0)	SSOP16 (5.0 x 6.4)	SSOP30 (20.0 x 14.2)
<p>Package dimension unit: mm</p> <p>Bottom View</p>	<p>Package dimension unit: mm</p>	<p>Package dimension unit: mm</p>
<p>Land pattern example unit: mm</p>	<p>Land pattern example unit: mm</p>	<p>Land pattern example unit: mm</p>

SSOP30 (10.2 x 7.6)		HSSOP31 (17.5 x 11.93)	
Package dimension unit: mm 	Package dimension unit: mm 		
Land pattern example unit: mm 	Land pattern example unit: mm 		

Through Hole Type

TO-220-2L (10.05 x 15.3)		TO-220F-2L (10.0 x 15.0)		TO-247-2L (15.94 x 20.95)	
Package dimension	unit: mm	Package dimension	unit: mm	Package dimension	unit: mm

New PW-Mold2 (6.5 x 5.5)		TO-126N (8.0 x 11.0)		TO-220SIS (SC-67) (10.0 x 15.0)	
Package dimension	unit: mm	Package dimension	unit: mm	Package dimension	unit: mm

TO-3P(N) (SC-65) (15.5 x 20.0)		TO-247 (15.94 x 20.95)		TO-3P(L) (20.0 x 26.0)	
Package dimension	unit: mm	Package dimension	unit: mm	Package dimension	unit: mm

HDIP30 (32.8 x 11.4)	
Package dimension	unit: mm

RESTRICTIONS ON PRODUCT USE

Toshiba Corporation and its subsidiaries and affiliates are collectively referred to as "TOSHIBA". Hardware, software and systems described in this document are collectively referred to as "Product".

- TOSHIBA reserves the right to make changes to the information in this document and related Product without notice.
- This document and any information herein may not be reproduced without prior written permission from TOSHIBA. Even with TOSHIBA's written permission, reproduction is permissible only if reproduction is without alteration/omission.
- Though TOSHIBA works continually to improve Product's quality and reliability, Product can malfunction or fail. Customers are responsible for complying with safety standards and for providing adequate designs and safeguards for their hardware, software and systems which minimize risk and avoid situations in which a malfunction or failure of Product could cause loss of human life, bodily injury or damage to property, including data loss or corruption. Before customers use the Product, create designs including the Product, or incorporate the Product into their own applications, customers must also refer to and comply with (a) the latest versions of all relevant TOSHIBA information, including without limitation, this document, the specifications, the data sheets and application notes for Product and the precautions and conditions set forth in the "TOSHIBA Semiconductor Reliability Handbook" and (b) the instructions for the application with which the Product will be used with or for. Customers are solely responsible for all aspects of their own product design or applications, including but not limited to (a) determining the appropriateness of the use of this Product in such design or applications; (b) evaluating and determining the applicability of any information contained in this document, or in charts, diagrams, programs, algorithms, sample application circuits, or any other referenced documents; and (c) validating all operating parameters for such designs and applications. **TOSHIBA ASSUMES NO LIABILITY FOR CUSTOMERS' PRODUCT DESIGN OR APPLICATIONS.**
- **PRODUCT IS NEITHER INTENDED NOR WARRANTED FOR USE IN EQUIPMENTS OR SYSTEMS THAT REQUIRE EXTRAORDINARILY HIGH LEVELS OF QUALITY AND/OR RELIABILITY, AND/OR A MALFUNCTION OR FAILURE OF WHICH MAY CAUSE LOSS OF HUMAN LIFE, BODILY INJURY, SERIOUS PROPERTY DAMAGE AND/OR SERIOUS PUBLIC IMPACT ("UNINTENDED USE").** Except for specific applications as expressly stated in this document, Unintended Use includes, without limitation, equipment used in nuclear facilities, equipment used in the aerospace industry, lifesaving and/or life supporting medical equipment, equipment used for automobiles, trains, ships and other transportation, traffic signaling equipment, equipment used to control combustions or explosions, safety devices, elevators and escalators, and devices related to power plant. **IF YOU USE PRODUCT FOR UNINTENDED USE, TOSHIBA ASSUMES NO LIABILITY FOR PRODUCT.** For details, please contact your TOSHIBA sales representative or contact us via our website.
- Do not disassemble, analyze, reverse-engineer, alter, modify, translate or copy Product, whether in whole or in part.
- Product shall not be used for or incorporated into any products or systems whose manufacture, use, or sale is prohibited under any applicable laws or regulations.
- The information contained herein is presented only as guidance for Product use. No responsibility is assumed by TOSHIBA for any infringement of patents or any other intellectual property rights of third parties that may result from the use of Product. No license to any intellectual property right is granted by this document, whether express or implied, by estoppel or otherwise.
- **ABSENT A WRITTEN SIGNED AGREEMENT, EXCEPT AS PROVIDED IN THE RELEVANT TERMS AND CONDITIONS OF SALE FOR PRODUCT, AND TO THE MAXIMUM EXTENT ALLOWABLE BY LAW, TOSHIBA (1) ASSUMES NO LIABILITY WHATSOEVER, INCLUDING WITHOUT LIMITATION, INDIRECT, CONSEQUENTIAL, SPECIAL, OR INCIDENTAL DAMAGES OR LOSS, INCLUDING WITHOUT LIMITATION, LOSS OF PROFITS, LOSS OF OPPORTUNITIES, BUSINESS INTERRUPTION AND LOSS OF DATA, AND (2) DISCLAIMS ANY AND ALL EXPRESS OR IMPLIED WARRANTIES AND CONDITIONS RELATED TO SALE, USE OF PRODUCT, OR INFORMATION, INCLUDING WARRANTIES OR CONDITIONS OF MERCHANTABILITY, FITNESS FOR A PARTICULAR PURPOSE, ACCURACY OF INFORMATION, OR NONINFRINGEMENT.**
- Do not use or otherwise make available Product or related software or technology for any military purposes, including without limitation, for the design, development, use, stockpiling or manufacturing of nuclear, chemical, or biological weapons or missile technology products (mass destruction weapons). Product and related software and technology may be controlled under the applicable export laws and regulations including, without limitation, the Japanese Foreign Exchange and Foreign Trade Law and the U.S. Export Administration Regulations. Export and re-export of Product or related software or technology are strictly prohibited except in compliance with all applicable export laws and regulations.
- Please contact your TOSHIBA sales representative for details as to environmental matters such as the RoHS compatibility of Product. Please use in compliance with all applicable laws and regulations that regulate the inclusion or use of controlled substances, including without limitation, the EU RoHS Directive. **TOSHIBA ASSUMES NO LIABILITY FOR DAMAGES OR LOSSES OCCURRING AS A RESULT OF NONCOMPLIANCE WITH APPLICABLE LAWS AND REGULATIONS.**

* M-FLAT™ and S-FLAT™ are trademarks of Toshiba Electronic Devices & Storage Corporation.

TOSHIBA

Toshiba Electronic Devices & Storage Corporation
Toshiba Electronic Device Solutions Corporation

<https://toshiba.semicon-storage.com/>

2025 Rev. 1.0