

M4G Group (1)
Application Note
Interval Sensor Detection Circuit
(ISD-A)

Outlines

This application note is a reference material for developing products using the interval sensor detection circuit (ISD) function of M4G group (1).

This document helps the user check operation of the product and develop its program.

Target sample program: ISD_LED

Table of Contents

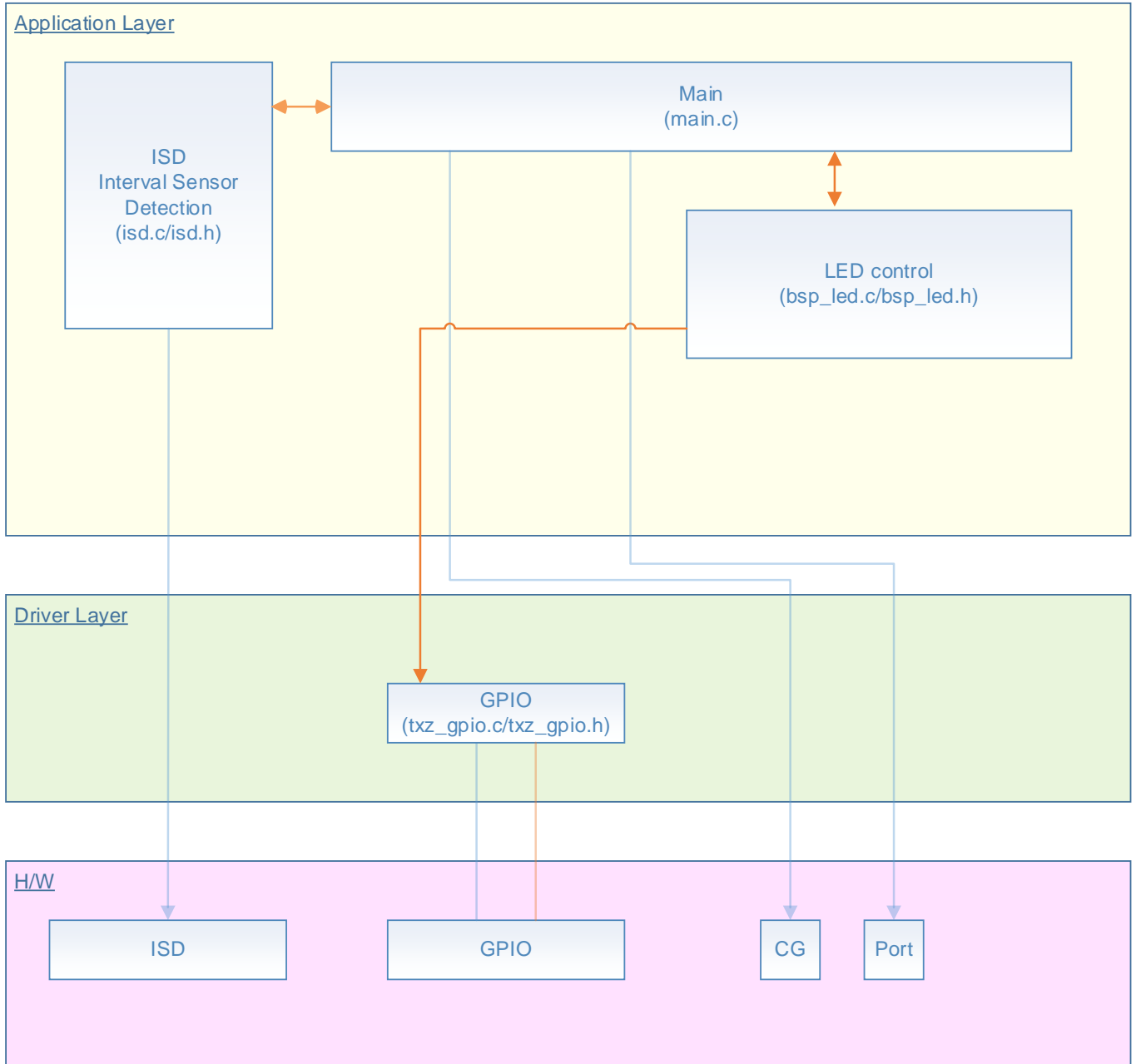
Outlines.....	1
Table of Contents.....	2
1. Preface	3
2. Reference Document	4
3. Function to Use.....	4
4. Target Device.....	4
5. Operation Confirmation Condition	5
6. Evaluation Board Setting.....	6
7. Operation of Evaluation Board	6
8. Outline of ISD.....	7
9. Sample Program	8
9.1. Initialization	8
9.2. Sample Program Main Operation	8
9.3. Operating Flow of Sample Program	9
10. Precaution.....	15
11. Revision History	15
RESTRICTIONS ON PRODUCT USE	16

1. Preface

In this sample program, the signal is read by the interval sensor detection circuit and mode transition is performed.

After starting up with low power consumption mode, the pushing down of a button is detected by the interval sensor, and low power consumption mode is released.

Structure diagram of Sample program



2. Reference Document

- Datasheet
 TPM4G group (1) datasheet Rev1.0 (Japanese edition)
- Reference manual
 Interval Sensor Detection Circuit (ISD-A) Rev1.0 (Japanese edition)
 Input/Output Ports (PORT-M4G (1)) Rev1.0 (Japanese edition)
 Exception (EXCEPT-M4G(1) Rev1.0 (Japanese edition)
- Application Note
 M4G Group (1) Application Note Startup (CMSIS System & Clock Configuration) Rev1.0
- Other reference document
 TPM4G (1) Group Peripheral Driver User Manual (Doxygen)

3. Function to Use

IP	Channel/Unit	Port	Function/Operation mode
Input/Output Ports	-	PE4(Output Port)	Output
		PE5(Output Port)	
		PE6(Output Port)	
		PE7(Output Port)	
Interval Sensor Detection Circuit	Unit B	PV0(ISDBIN0)	ISD interrupt

4. Target Device

The target devices of this application note are as follows;

TMPM4G9F15FG	TMPM4G9F10FG	TMPM4G9FEFG	TMPM4G9FDFG
TMPM4G9F15XBG	TMPM4G9F10XBG	TMPM4G9FEXBG	TMPM4G9FDXBG
TMPM4G8F15FG	TMPM4G8F10FG	TMPM4G8FEFG	TMPM4G8FDFG
TMPM4G8F15XBG	TMPM4G8F10XBG	TMPM4G8FEXBG	TMPM4G8FDXBG
	TMPM4G7F10FG	TMPM4G7FEFG	TMPM4G7FDFG
	TMPM4G6F10FG	TMPM4G6FEFG	TMPM4G6FDFG

*This sample program operates on the evaluation board of TMPM4G9F15FG.

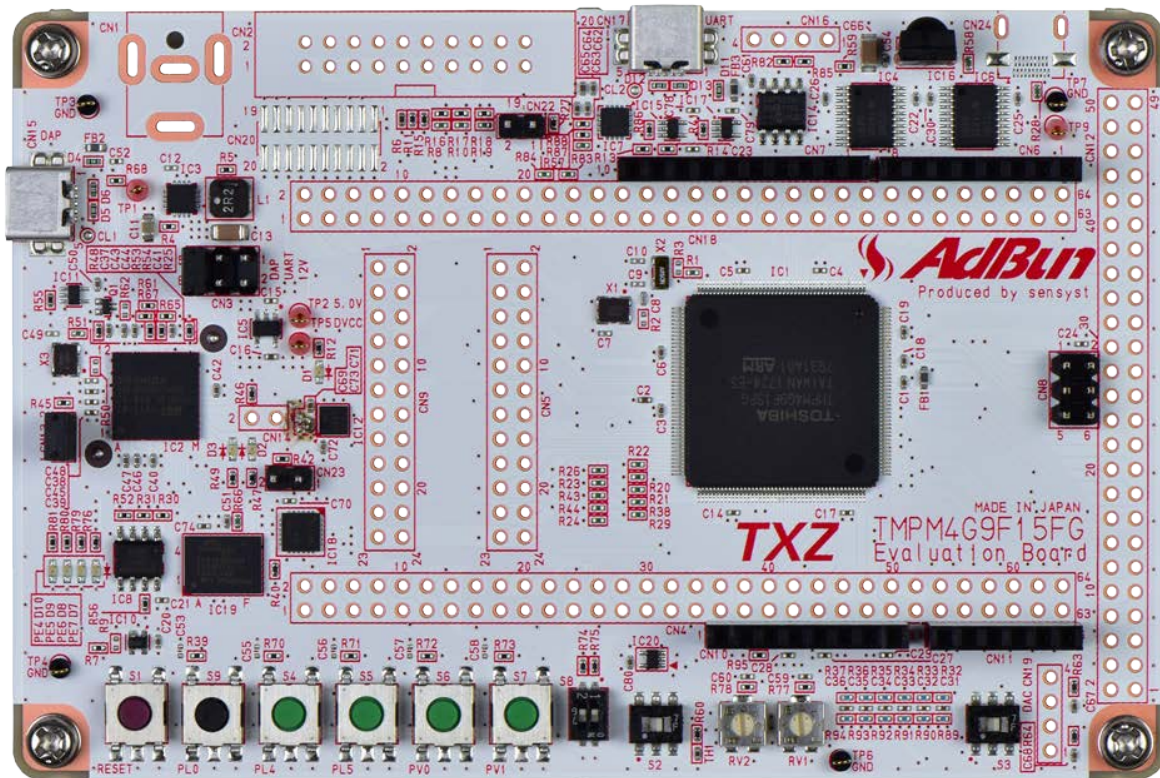
If other function than the TMPM4G9F15 one is checked, it is necessary that CMSIS Core related files (C startup file and I/O header file) should be changed properly.

The BSP related file is dedicated to the evaluation board (TMPM4G9F15). If other function than the TMPM4G9F15 one is checked, the BSP related file should be changed properly.

5. Operation Confirmation Condition

Used microcontroller	TMPM4G9F15FG
Used board	TMPM4G9F15FGEvaluation Board by Sensxyst
Unified development environment	IAR Embedded Workbench for ARM 8.11.2.13606
Unified development environment	µVision MDK Version 5.24.2.0
Sample program	V1000

Evaluation board (TMPM4G9F15FG Evaluation Board) Top view

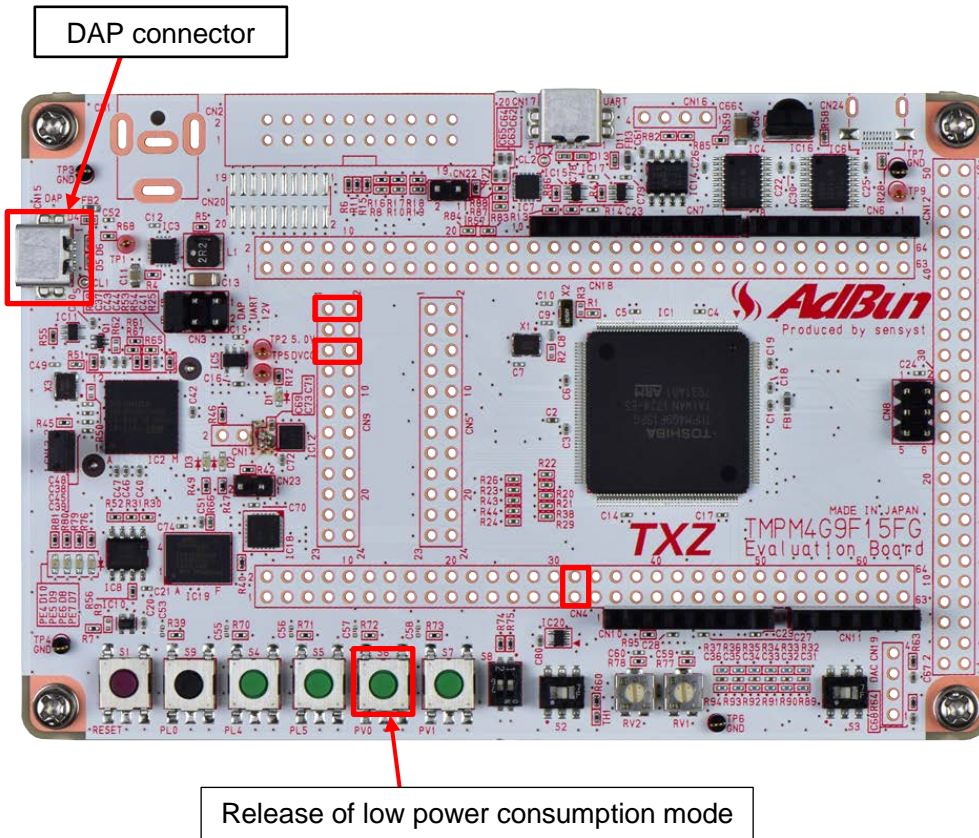


6. Evaluation Board Setting

The following pin connections should be done on the evaluation board.

CN4		
Board function	Through-hole No.	Through-hole No.
Push switch (S6)	31: ISD_SW0	32: PV0

CN9		
Board function	Through-hole No.	Through-hole No.
LED(D10)	1: LED0	2: PE4
LED(D8)	5: LED2	6: PE6



7. Operation of Evaluation Board

The sample program shifts to the low power consumption mode after initialization processing. In the low power consumption mode, the LED (D8) lights on. When low power consumption mode is released, the LED (10) lights on after entering Normal mode.

8. Outline of ISD

Interval sensor detection circuit (ISD) generates the control timing to operate intermittently an external device such as a sensor. It also detects the level of an input signal from an external device to generate an interrupt.

This interrupt is used to release the low power consumption mode.

The list of the functions of ISD is shown in the following table.

Function category	Function	Description
External circuit control	Reference clock	Reference clock (fisdclk) Low speed clock (32.768 kHz) or the clock that Timer trigger for Clock source (ISDxCLKTRG) is divided by 1, 2, 4, or 8.
	Control timing output	Control timing output (ISDxOUT): 1 output - Active level: Selectable from High and Low. - Active interval: Selectable from among 2 to 256 times of Reference clock cycle. - Active cycle: Selectable from among 1 to 256 times of Active interval.
	Level detection input	Level detection input (ISDxIN0 to 3): 4 inputs - An interrupt (INTISDx) is generated when change of an input level is detected. (The interrupt can release low power consumption mode.) - Detection level patterns of the input signal: One of followings can be selected per input signal. "Low level" "High level" "(Previous) Low level to (Current) High level" "(Previous) High level to (Current) Low level" "Current level is different from Previous one" - Detection timing of the input level: Any timing can be set during the active interval of the control timing output. The input level is stored in a buffer.
	Link operation	Multiple units can be linked and they can operate in the same timing. - Master: Supply slaves with the timing signals of Control timing output/Level detection input. - Slave: Operate at the timing controlled by Master.

9. Sample Program

Execution of the sample program shifts to the low power consumption mode. During the low power consumption mode, it detects pressing of the push switch S6 and transitions from low power consumption mode to Normal mode.

9.1. Initialization

The following initialization is done after power is supplied.
The initialization of each clock setting and the setting of the watchdog timer are done.

9.2. Sample Program Main Operation

The initial setting of this sample program operates in STOP1 mode.

Here is the main operation.

As the initialization of the low power consumption STOP1 mode, the functions such as external oscillation are not used, the LED is initialized, and the warming-up time of internal oscillation is set.

Initialize ISD and start ISD.

ISD interrupt is enabled.

Shift to low power consumption mode and wait until push switch S6 is detected.

When the push switch is pressed down, the low power consumption mode is released.

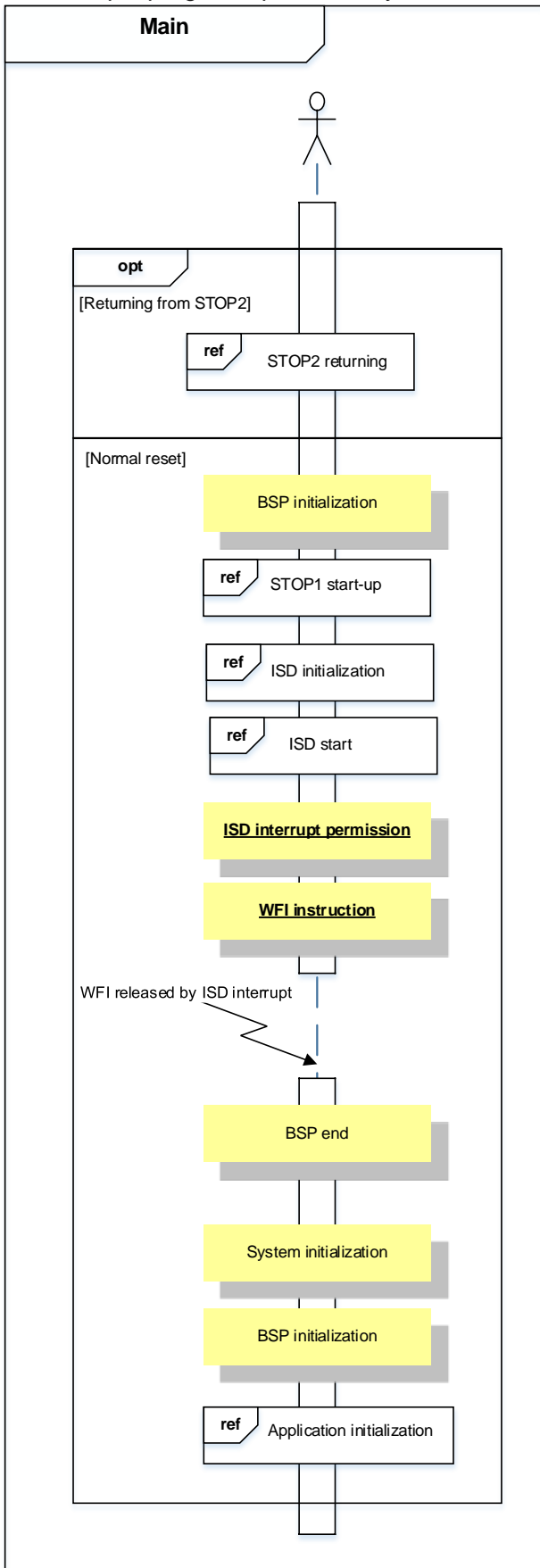
After the set warm-up time has elapsed, it will shift to NORMAL mode.

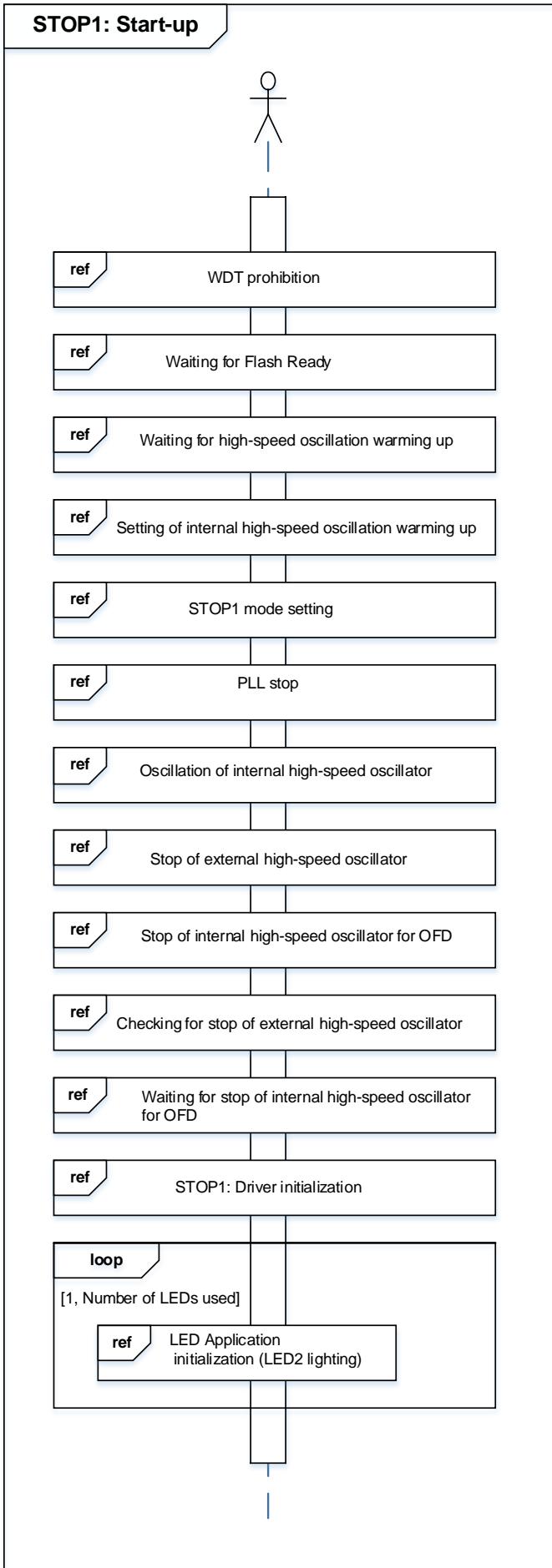
The initialization of BSP is executed.

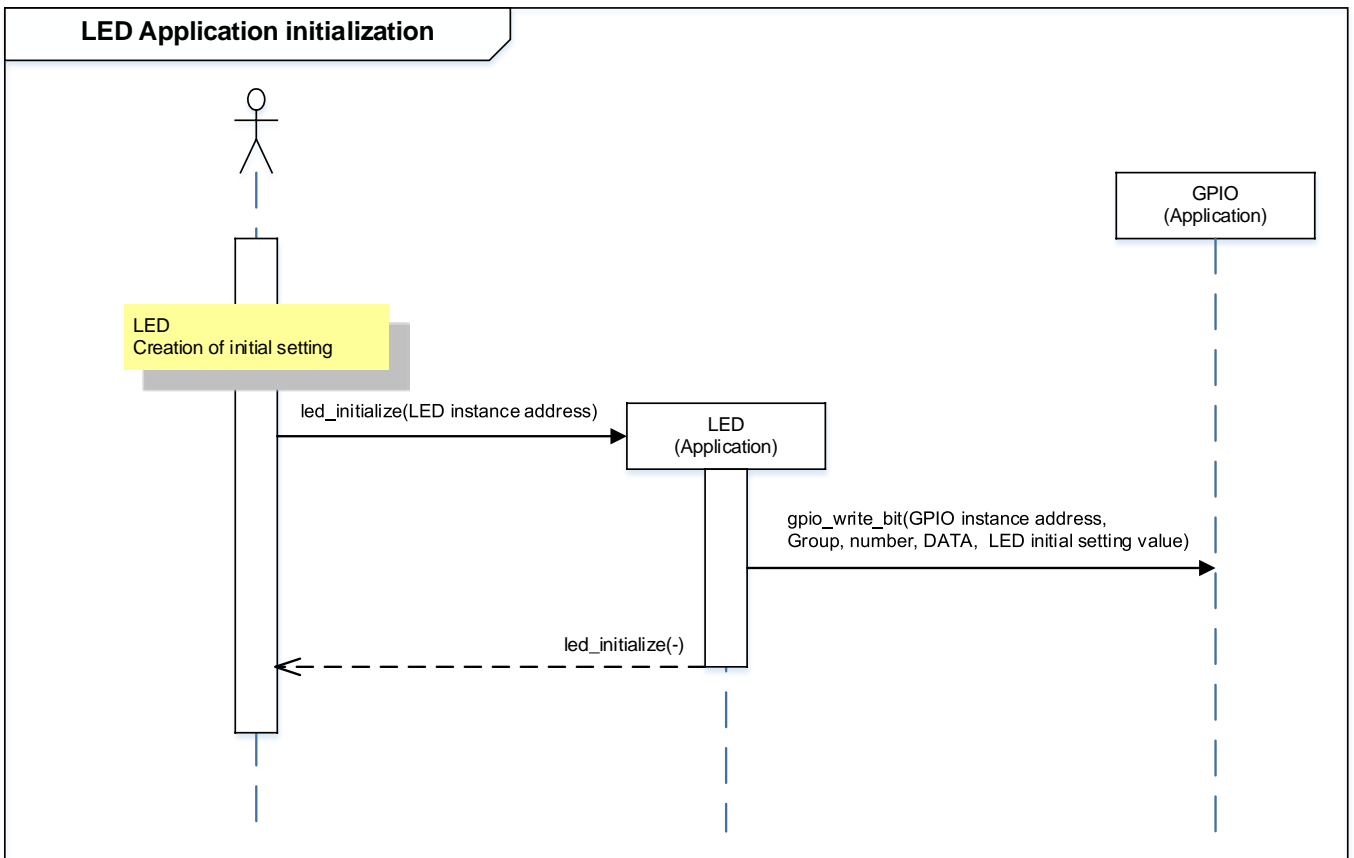
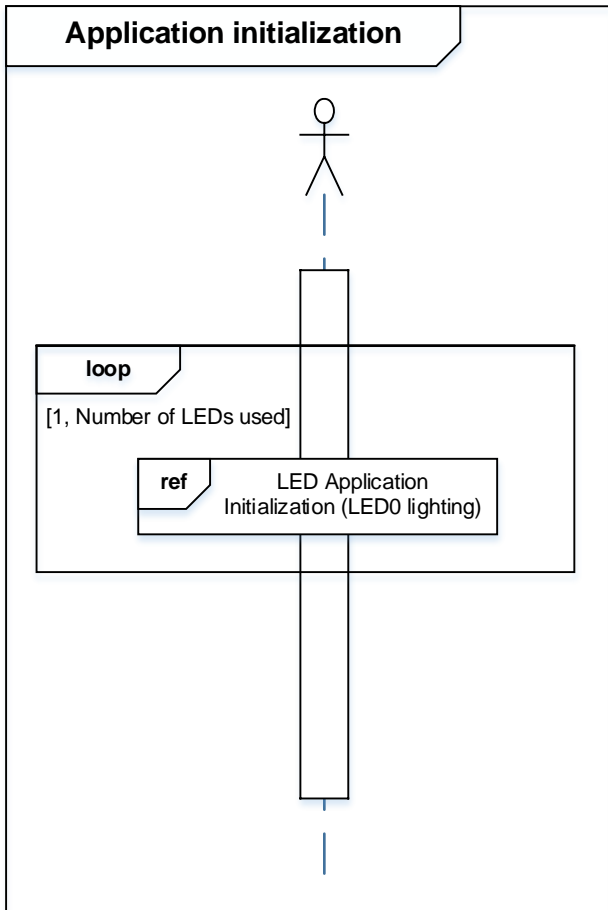
The initialization of LED is executed as application initialization.

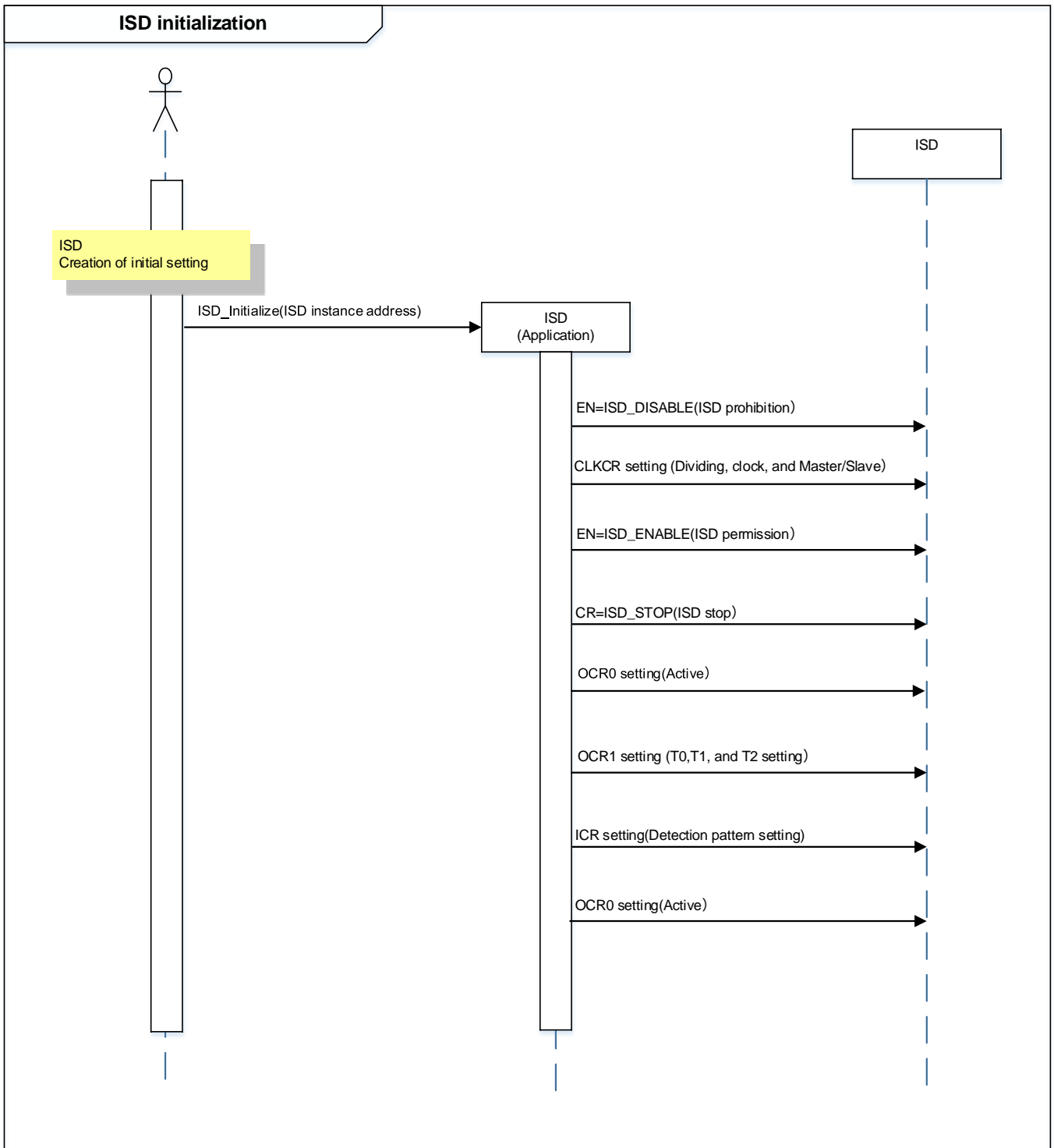
9.3. Operating Flow of Sample Program

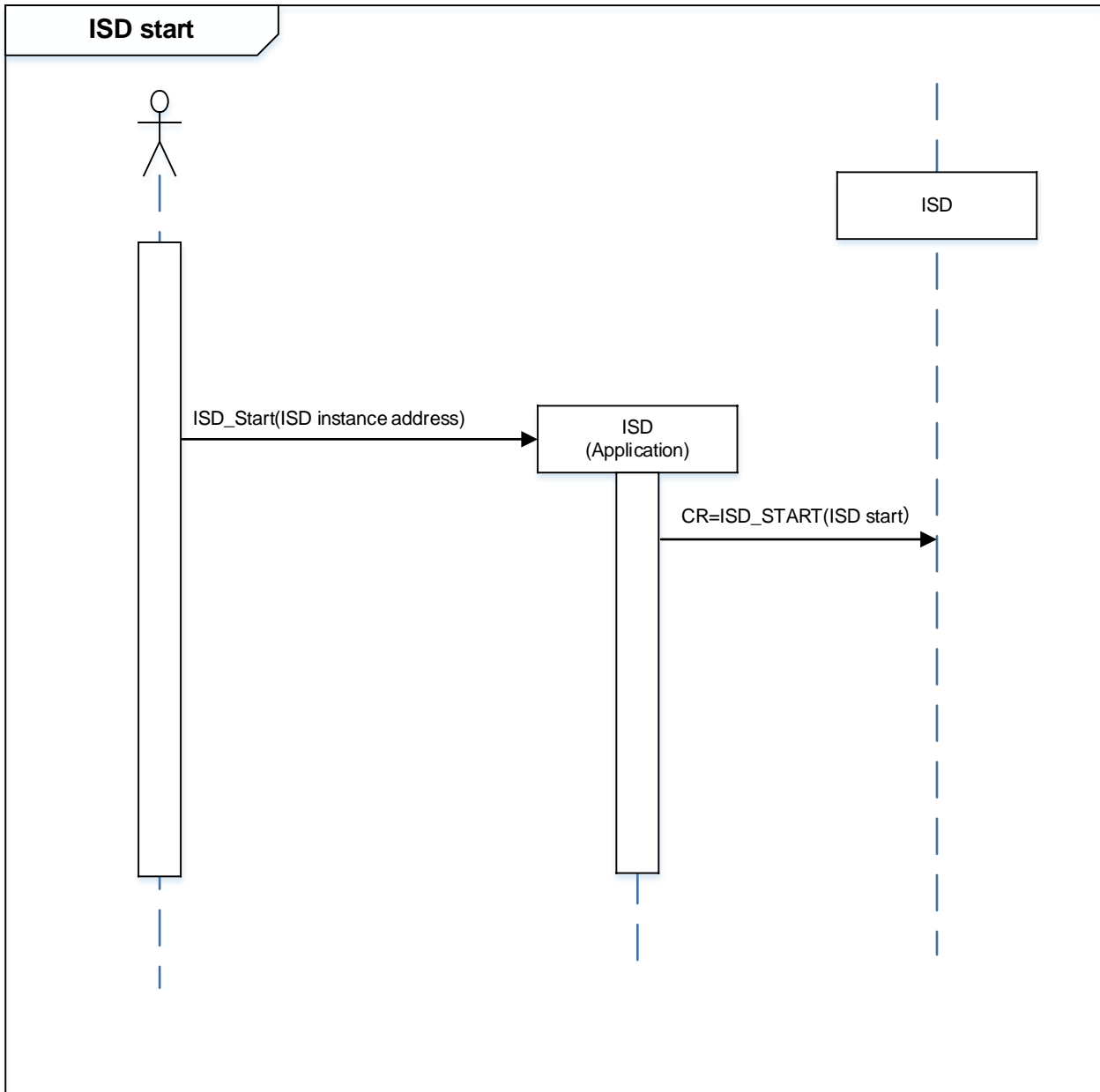
The basic operating flows of the sample program are shown in the following.
This sample program operates only in STOP1 mode.

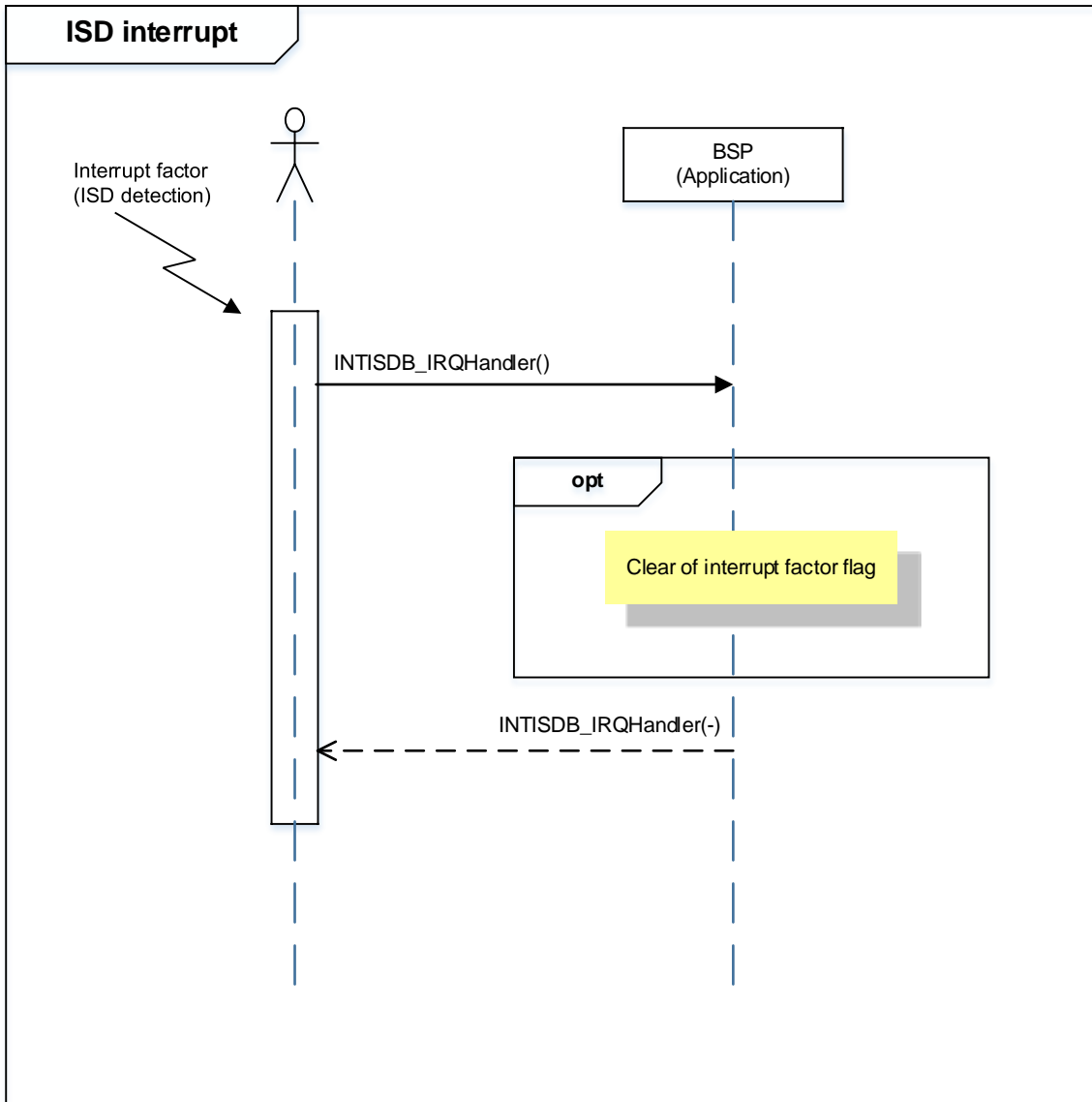












10. Precaution

When using the sample program with CPU other than TPM4G9F15, please check operation sufficiently.

11. Revision History

Rev	Date	Description
1.0	2018-12-11	First release

RESTRICTIONS ON PRODUCT USE

Toshiba Corporation and its subsidiaries and affiliates are collectively referred to as "TOSHIBA". Hardware, software and systems described in this document are collectively referred to as "Product".

- TOSHIBA reserves the right to make changes to the information in this document and related Product without notice.
- This document and any information herein may not be reproduced without prior written permission from TOSHIBA. Even with TOSHIBA's written permission, reproduction is permissible only if reproduction is without alteration/omission.
- Though TOSHIBA works continually to improve Product's quality and reliability, Product can malfunction or fail. Customers are responsible for complying with safety standards and for providing adequate designs and safeguards for their hardware, software and systems which minimize risk and avoid situations in which a malfunction or failure of Product could cause loss of human life, bodily injury or damage to property, including data loss or corruption. Before customers use the Product, create designs including the Product, or incorporate the Product into their own applications, customers must also refer to and comply with (a) the latest versions of all relevant TOSHIBA information, including without limitation, this document, the specifications, the data sheets and application notes for Product and the precautions and conditions set forth in the "TOSHIBA Semiconductor Reliability Handbook" and (b) the instructions for the application with which the Product will be used with or for. Customers are solely responsible for all aspects of their own product design or applications, including but not limited to (a) determining the appropriateness of the use of this Product in such design or applications; (b) evaluating and determining the applicability of any information contained in this document, or in charts, diagrams, programs, algorithms, sample application circuits, or any other referenced documents; and (c) validating all operating parameters for such designs and applications. **TOSHIBA ASSUMES NO LIABILITY FOR CUSTOMERS' PRODUCT DESIGN OR APPLICATIONS.**
- **PRODUCT IS NEITHER INTENDED NOR WARRANTED FOR USE IN EQUIPMENTS OR SYSTEMS THAT REQUIRE EXTRAORDINARILY HIGH LEVELS OF QUALITY AND/OR RELIABILITY, AND/OR A MALFUNCTION OR FAILURE OF WHICH MAY CAUSE LOSS OF HUMAN LIFE, BODILY INJURY, SERIOUS PROPERTY DAMAGE AND/OR SERIOUS PUBLIC IMPACT ("UNINTENDED USE").** Except for specific applications as expressly stated in this document, Unintended Use includes, without limitation, equipment used in nuclear facilities, equipment used in the aerospace industry, lifesaving and/or life supporting medical equipment, equipment used for automobiles, trains, ships and other transportation, traffic signaling equipment, equipment used to control combustions or explosions, safety devices, elevators and escalators, and devices related to power plant. **IF YOU USE PRODUCT FOR UNINTENDED USE, TOSHIBA ASSUMES NO LIABILITY FOR PRODUCT.** For details, please contact your TOSHIBA sales representative or contact us via our website.
- Product shall not be used for or incorporated into any products or systems whose manufacture, use, or sale is prohibited under any applicable laws or regulations.
- The information contained herein is presented only as guidance for Product use. No responsibility is assumed by TOSHIBA for any infringement of patents or any other intellectual property rights of third parties that may result from the use of Product. No license to any intellectual property right is granted by this document, whether express or implied, by estoppel or otherwise.
- **ABSENT A WRITTEN SIGNED AGREEMENT, EXCEPT AS PROVIDED IN THE RELEVANT TERMS AND CONDITIONS OF SALE FOR PRODUCT, AND TO THE MAXIMUM EXTENT ALLOWABLE BY LAW, TOSHIBA (1) ASSUMES NO LIABILITY WHATSOEVER, INCLUDING WITHOUT LIMITATION, INDIRECT, CONSEQUENTIAL, SPECIAL, OR INCIDENTAL DAMAGES OR LOSS, INCLUDING WITHOUT LIMITATION, LOSS OF PROFITS, LOSS OF OPPORTUNITIES, BUSINESS INTERRUPTION AND LOSS OF DATA, AND (2) DISCLAIMS ANY AND ALL EXPRESS OR IMPLIED WARRANTIES AND CONDITIONS RELATED TO SALE, USE OF PRODUCT, OR INFORMATION, INCLUDING WARRANTIES OR CONDITIONS OF MERCHANTABILITY, FITNESS FOR A PARTICULAR PURPOSE, ACCURACY OF INFORMATION, OR NONINFRINGEMENT.**
- Do not use or otherwise make available Product or related software or technology for any military purposes, including without limitation, for the design, development, use, stockpiling or manufacturing of nuclear, chemical, or biological weapons or missile technology products (mass destruction weapons). Product and related software and technology may be controlled under the applicable export laws and regulations including, without limitation, the Japanese Foreign Exchange and Foreign Trade Law and the U.S. Export Administration Regulations. Export and re-export of Product or related software or technology are strictly prohibited except in compliance with all applicable export laws and regulations.
- Please contact your TOSHIBA sales representative for details as to environmental matters such as the RoHS compatibility of Product. Please use Product in compliance with all applicable laws and regulations that regulate the inclusion or use of controlled substances, including without limitation, the EU RoHS Directive. **TOSHIBA ASSUMES NO LIABILITY FOR DAMAGES OR LOSSES OCCURRING AS A RESULT OF NONCOMPLIANCE WITH APPLICABLE LAWS AND REGULATIONS.**