

M4G Group (1)
Application Note
12-bit Analog to Digital Converter
(ADC-C)

Outlines

This application note is a reference material for developing products using 12-bit analog to digital converter (ADC) function of M4G group (1).
This document helps the user check operation of the product and develop its program.

Target sample program: ADC_UART_M4G9

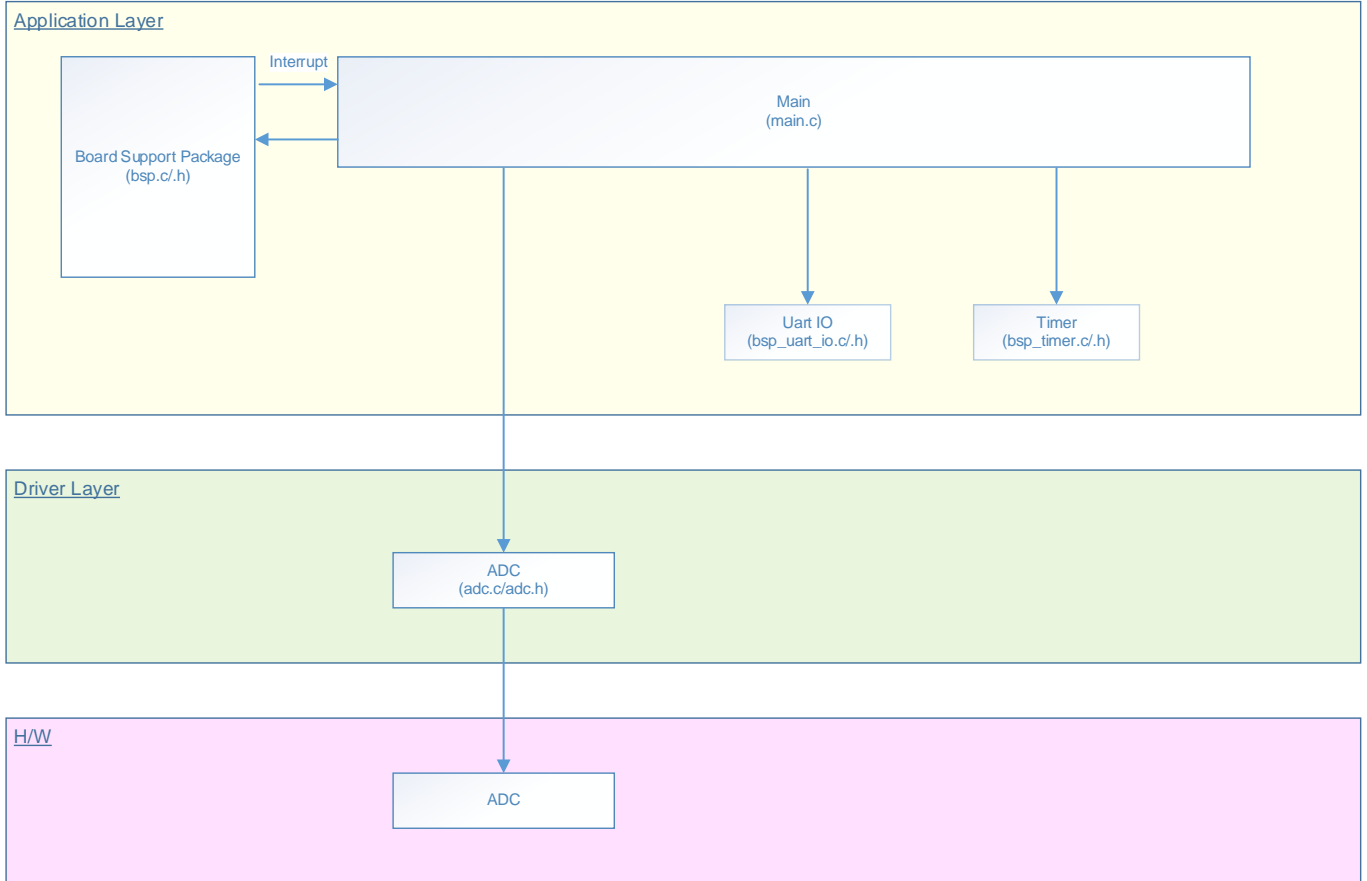
Table of Contents

Outlines.....	1
Table of Contents.....	2
1. Preface	3
2. Reference Document	4
3. Function to Use.....	4
4. Target Device.....	4
5. Operation Confirmation Condition	5
6. Evaluation Board Setting.....	6
7. Operation of Evaluation Board	6
8. Outline of 12-bit Analog to Digital Converter Function	7
9. Sample Program	8
9.1. Initialization	8
9.2. Sample Program Main Operation	8
9.3. AIN Channel Setting of ADC.....	8
9.4. Interval Time and Polling Time Settings.....	8
9.5. Output Example of Sample Program.....	9
9.5.1. Setting Example of Terminal Software.....	9
9.6. Operating Flow of Sample Program	10
10. Precaution.....	18
11. Revision History	18
RESTRICTIONS ON PRODUCT USE	19

1. Preface

The sample program measures the thermistor output voltage with ADC and displays it on the terminal software after temperature conversion by CPU. Additionally, it converts the analog input voltage with ADC and displays the digital values

Structure diagram of Sample program



2. Reference Document

- Datasheet
TMPM4G Group (1) datasheet Rev1.0 (Japanese edition)
- Reference manual
12-bit Analog to Digital Converter (ADC-C) Rev1.0 (Japanese edition)
Asynchronous Serial Communication Circuit (UART-C) Rev3.0 (Japanese edition)
Input/Output Ports (PORT-M4G(1)) Rev1.0 (Japanese edition)
32-bit Timer Event Counter (T32A-B) Rev2.1 (Japanese edition)
- Application Note
M4G Group (1) Application Note Startup (CMSIS System & Clock Configuration) Rev1.0
- Other reference document
TMPM4G (1) Group Peripheral Driver User Manual (Doxygen)

3. Function to Use

IP	Channel	Port	Function/Operation mode
Asynchronous Serial Communication Circuit	ch0	PE2(UT0RXD) PE3(UT0TXDA)	UART mode
12-bit Analog to Digital Converter	ch1 (Note)	PP0(AINA08)	AD conversion (Continuous conversion operation)
	ch0 (Note)	PR0(AINA16)	
Input/Output ports	-	PV1(Input)	Input
32-bit Timer Event Counter	ch0	-	Interval timer

(Note) The ADC channel is the channel defined in the sample program.

4. Target Device

The target devices of this application note are as follows;

TMPM4G9F15FG	TMPM4G9F10FG	TMPM4G9FEFG	TMPM4G9FDFG
TMPM4G9F15XBG	TMPM4G9F10XBG	TMPM4G9FEXBG	TMPM4G9FDXBG
TMPM4G8F15FG	TMPM4G8F10FG	TMPM4G8FEFG	TMPM4G8FDFG
TMPM4G8F15XBG	TMPM4G8F10XBG	TMPM4G8FEXBG	TMPM4G8FDXBG
	TMPM4G7F10FG	TMPM4G7FEFG	TMPM4G7FDFG
	TMPM4G6F10FG	TMPM4G6FEFG	TMPM4G6FDFG

*This sample program operates on the evaluation board of TMPM4G9F15FG.

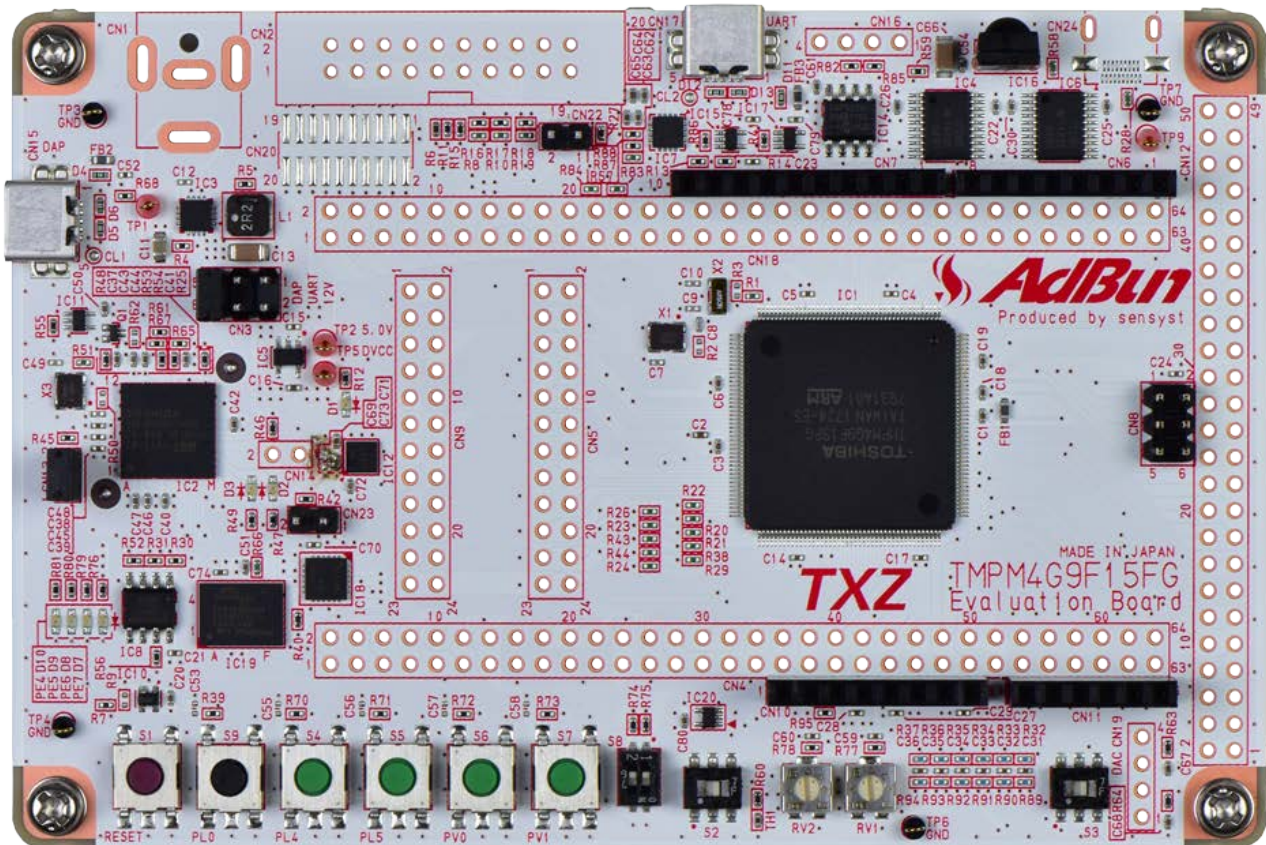
If other function than the TMPM4G9F15 one is checked, it is necessary that CMSIS Core related files (C startup file and I/O header file) should be changed properly.

The BSP related file is dedicated to the evaluation board (TMPM4G9F15). If other function than the TMPM4G9F15 one is checked, the BSP related file should be changed properly.

5. Operation Confirmation Condition

Used microcontroller	TMPM4G9F15FG
Used board	TMPM4G9F15FG Evaluation Board by Sensystr
Unified development environment	IAR Embedded Workbench for ARM 8.11.2.13606
Unified development environment	µVision MDK Version 5.24.2.0
Terminal software	Tera Term V4.96
Sample program	V1000

Evaluation board (TMPM4G9F15FG Evaluation Board) Top view



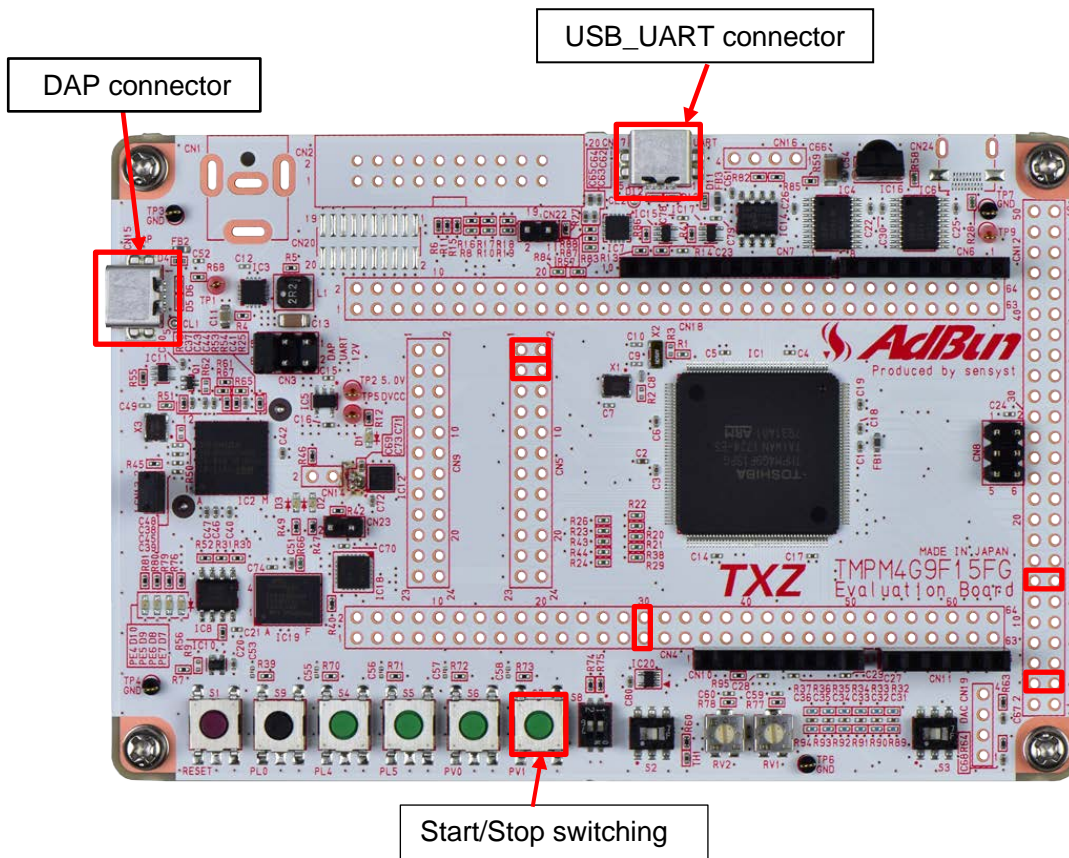
6. Evaluation Board Setting

The following pin connections should be done on the evaluation board.

CN4		
Board function	Through-hole No.	Through-hole No.
Mode switching	29: ISD_SW1	30: PV1

CN5		
Board function	Through-hole No.	Through-hole No.
USB UART conversion	1: USB_UT_RX	2: PE2
USB UART conversion	3: USB_UT_TX	4: PE3

CN12		
Board function	Through-hole No.	Through-hole No.
Variable resistor	3: AIN_VR0	4: PP0
Thermistor	13: AIN_NTC	14: PR0



7. Operation of Evaluation Board

PC and the USB_UART are connected for communication with the terminal software. A message indicating the suspension of ADC is displayed with the set interval on the terminal software. When the Push switch S7 is pushed down, ADC starts the operation and displays the output by AD conversion on the terminal software. When the Push switch S7 is pushed down again, ADC stops the operation and displays a message indicating the suspension of ADC with the set interval on the terminal software.

8. Outline of 12-bit Analog to Digital Converter Function

The 12-bit analog to digital converter (ADC) can convert multiple analog inputs(AINx0 to AINxn) to digital in each unit. The function list is shown as follows.

Function classification	Function	Operation explanation
AD conversion	Conversion resolution	12bits
	Conversion time	AVDD3 =2.7 to 3.6[V]: 1.0[μs] at ADCLK=60[MHz]
	Store conversion result	24 conversion result storage registers.
Start conversion	Highest start-up factor	- Highest priority trigger - Highest priority conversion operation (software) Start-up factor program (Note1) can perform up to 24 AD conversions at each start-up.
	General purpose start-up factor	- General purpose trigger conversion - Software (Continuous conversion operation, Single conversion operation) Start-up factor program (Note1) can perform up to 24 AD conversions at each start-up.
Conversion status	Status flags	- Flag showing that the AD conversion is executing. - Flag showing that the program is executing (for each trigger). - Conversion result storage flag (for each conversion result storage register). - Conversion result overrun flag (for each conversion result storage register).
Interrupt	-	- Highest priority program AD conversion completion (INTADxHP) - General purpose trigger program completion (INTADxTRG) - Software single conversion program completion (INTADxSGL) - Software continuous conversion program completion (INTADxCNT) - Monitor function interrupt (INTADxCP0, INTADxCP1, INTADxCP2, INTADxCP3) (Note2)
Monitor conversion result	AD monitor function	- Each ADC unit has 4 channels of monitor function. - Selectable conversion result storage register to be monitored. - Selectable detection method: Whether the target register value is larger or smaller than the comparison register. - Selectable number of detections. - Selectable continuous count and accumulated count.

Note1: Conversion program can specify conversion channel (analog input) and presence / absence of interrupt. There are multiple programs. Each is started with the start-up factor / trigger.

Note2: For the channel of the AD monitor function, refer to “Product Information” in the reference manual.

9. Sample Program

The thermistor output is AD converted and output to the terminal software with every setup interval. The ADC stop status and AD conversion status are switched by pressing the button. While ADC is stopped, the stop status is output to the terminal software.

9.1. Initialization

The following initialization is done after power is supplied.
The initialization of each clock setting and the setting of the watchdog timer are done.

9.2. Sample Program Main Operation

The initialization of BSP is executed.
The initialization of variables is executed.
The initialization of driver is executed.
As the initialization of an application, the initialization of timer, push switch, USB_UART and thermistor are executed.
The timer starts.
The initial state is the ADC stop status, and the ADC stop is output to the terminal software with a set interval.

When the pushing down of switch S7 is detected, the status is changed from ADC stop to AD conversion. While in AD conversion status, the conversion results by ADC is output to the terminal software with a set interval.

The input voltage from the thermistor (TH1) is converted into temperature and displayed.
For variable resistance (RV1) input, input voltage is indicated by Hex.

After that, when the pushing down of switch S7 is detected, the status is switched between ADC stop and AD conversion.

9.3. AIN Channel Setting of ADC

The AIN channel sets the channel to be used in the application initialization of main.c.
If you would like to change the channel, change the ain of the ADC setting structure (adc_channel_setting_t) and the argument of the channel setting function adc_channel_setting.
The numbers 0 to 23 are selected for the channel setting.

9.4. Interval Time and Polling Time Settings

The output display interval time while in conversion output status can be changed by setting the "CFG_OUTPUT_INTERVAL" of "main.c"
The switch polling time is changed by setting "CFG_SW_POLLING_TIME"

9.5. Output Example of Sample Program

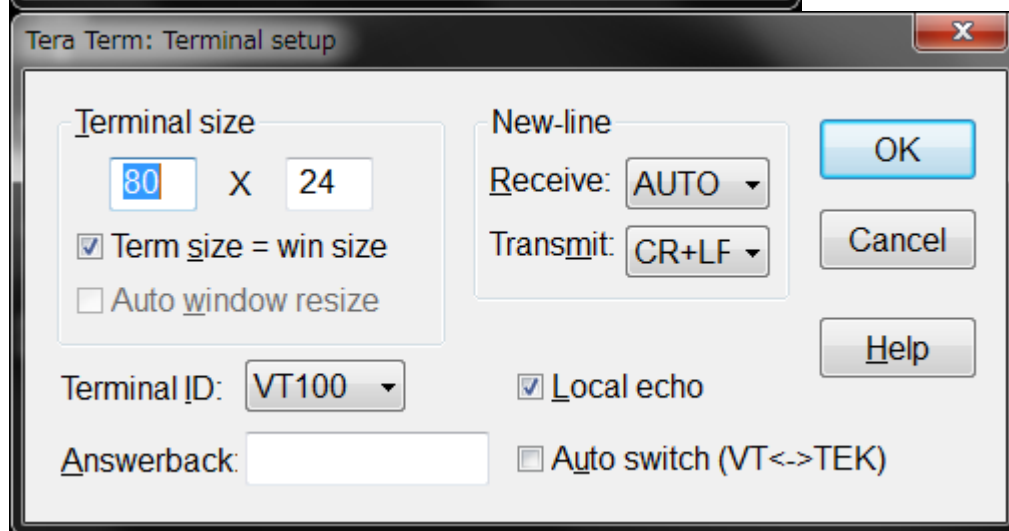
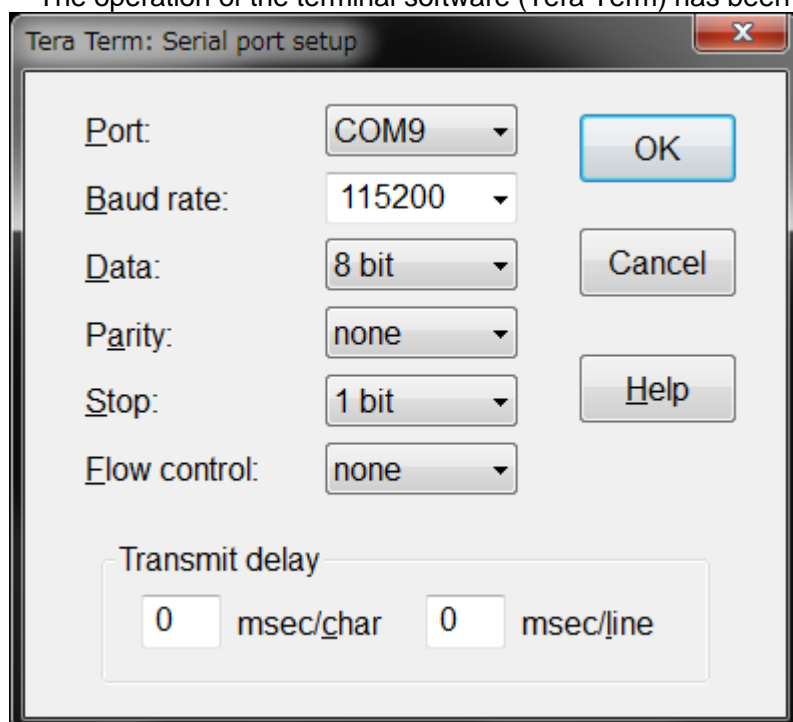
While in the running condition of sample program, the ADC output result or the stop status is displayed. The output is periodically (default 5 seconds) displayed.

```

ADC Stop
ADC Stop
Temp:24degrees
Convert Result Value[VR1]:0x77d
Temp:24degrees
Convert Result Value[VR1]:0x77d
Temp:24degrees
Convert Result Value[VR1]:0x77d
ADC Stop
ADC Stop
ADC Stop
    
```

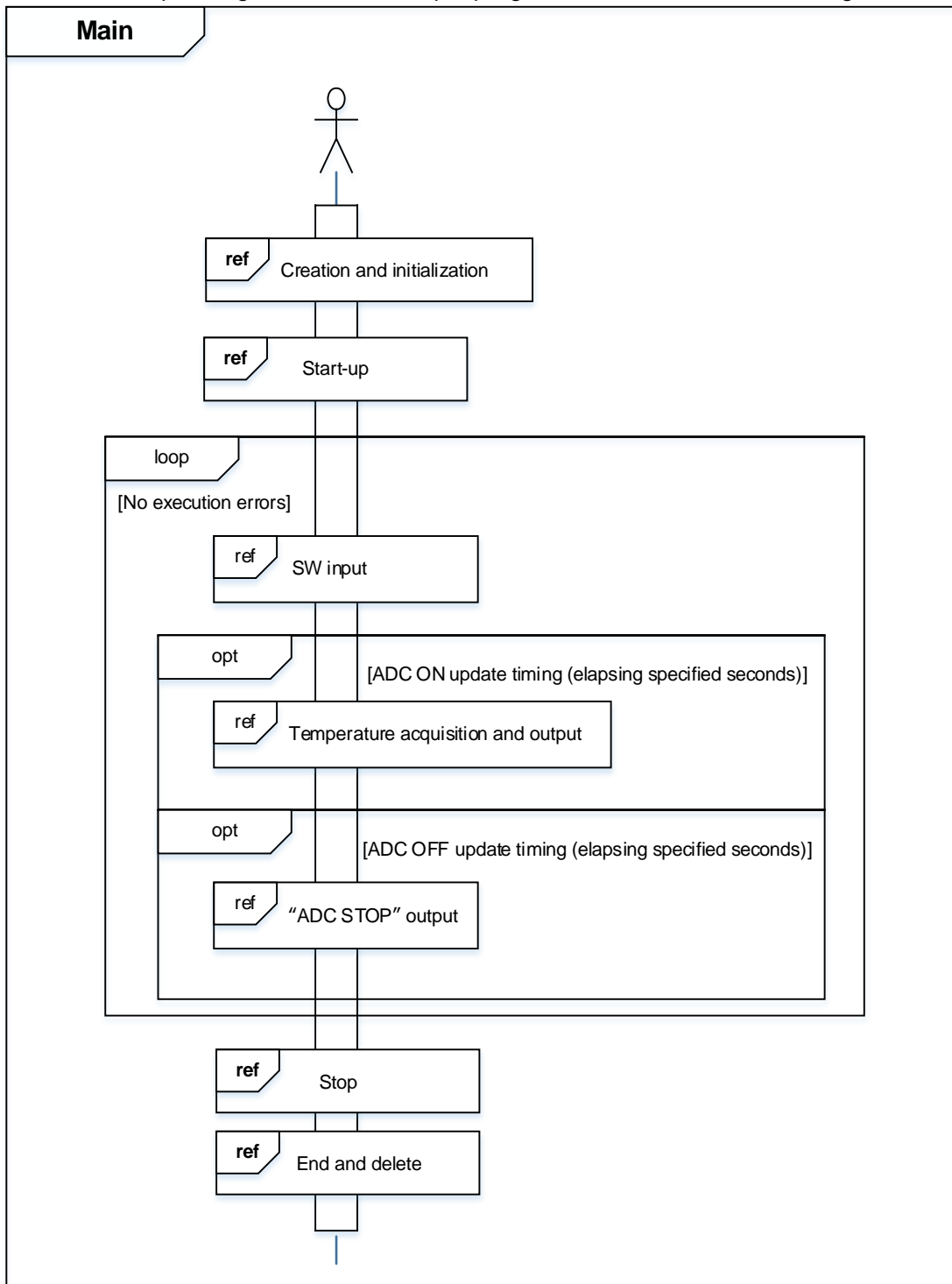
9.5.1. Setting Example of Terminal Software

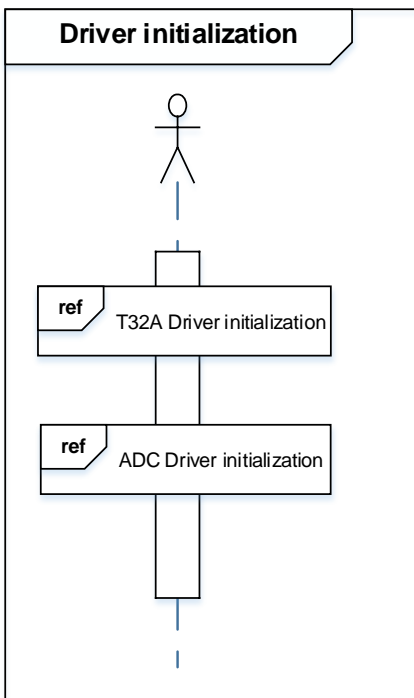
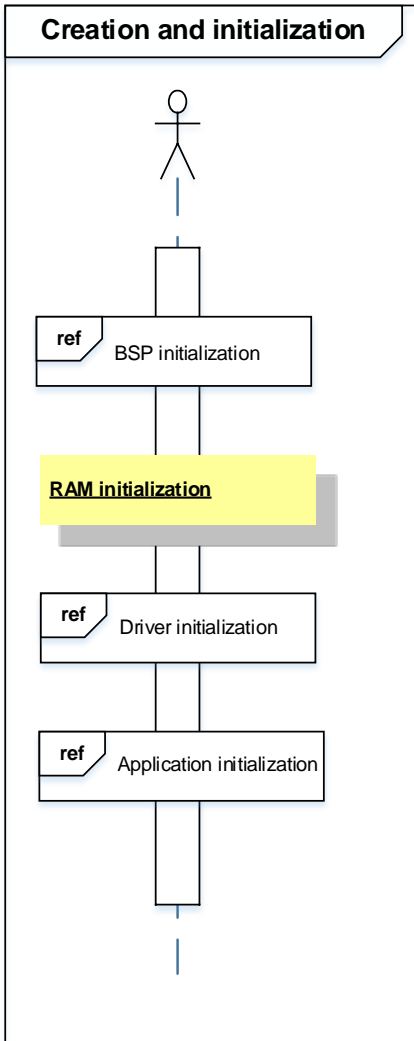
The operation of the terminal software (Tera Term) has been checked with the following settings.

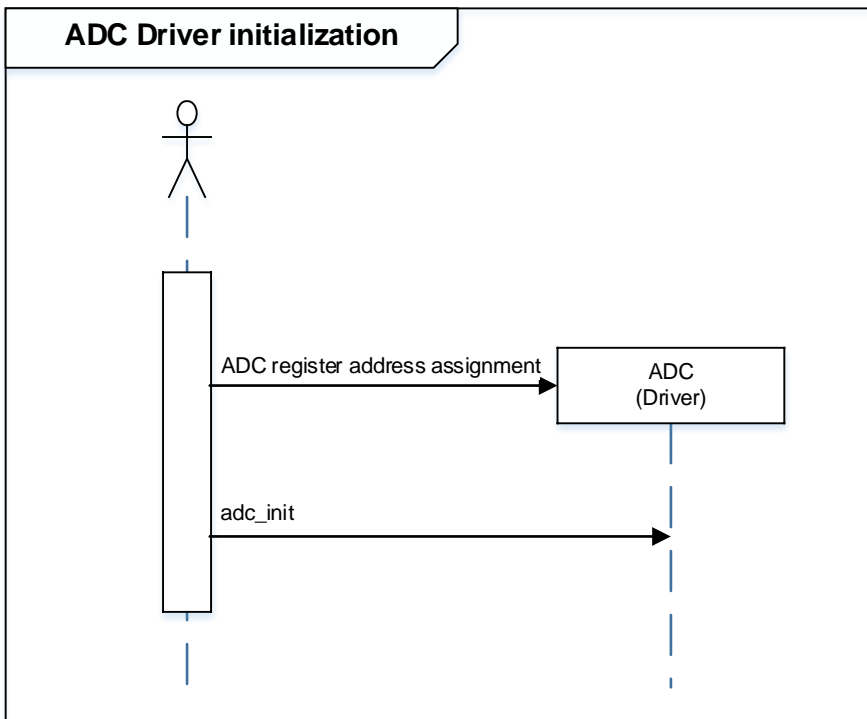
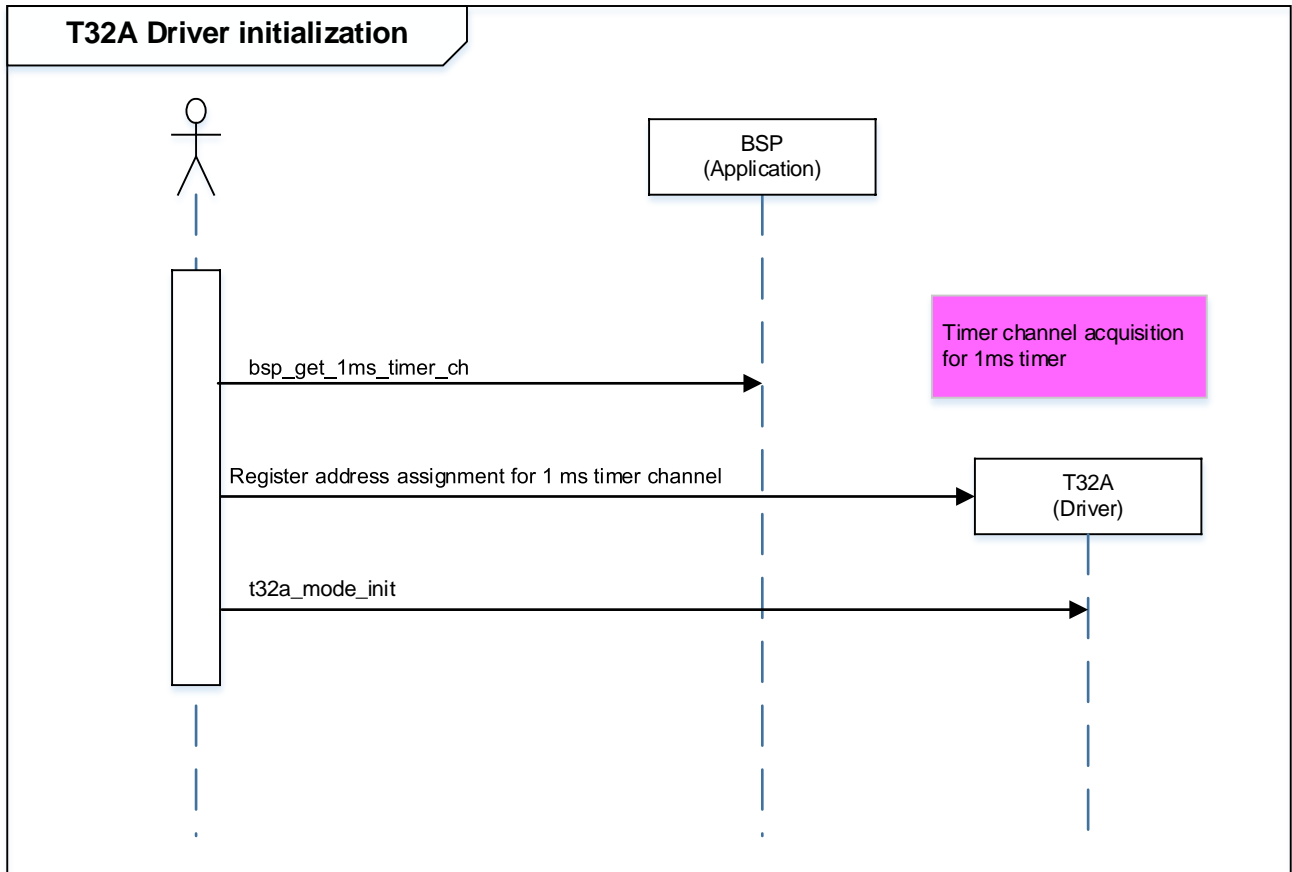


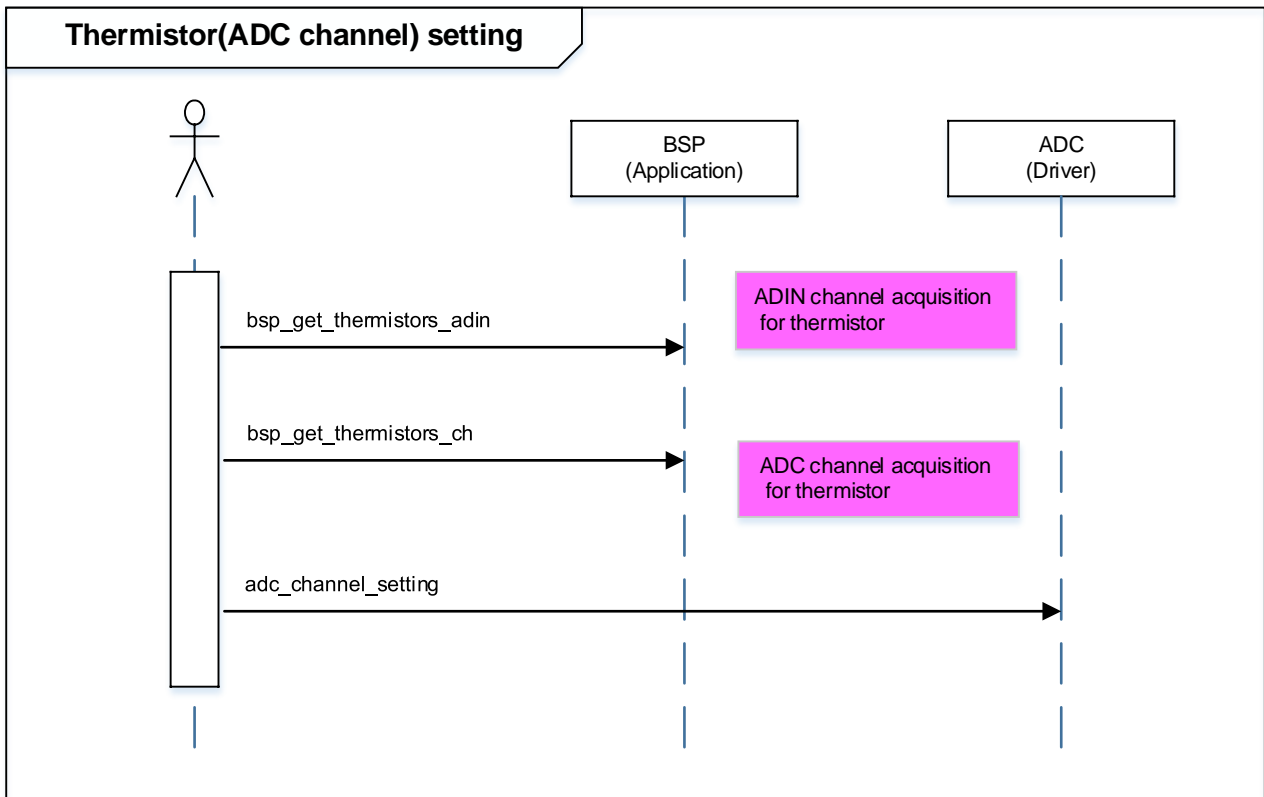
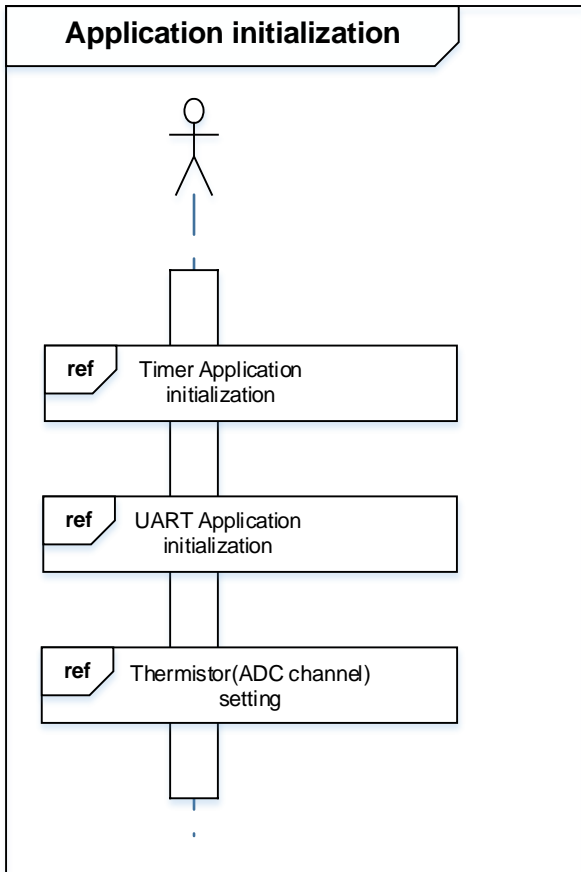
9.6. Operating Flow of Sample Program

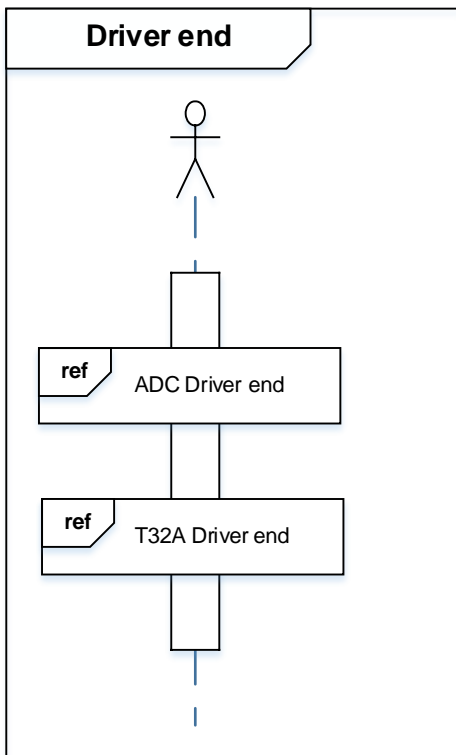
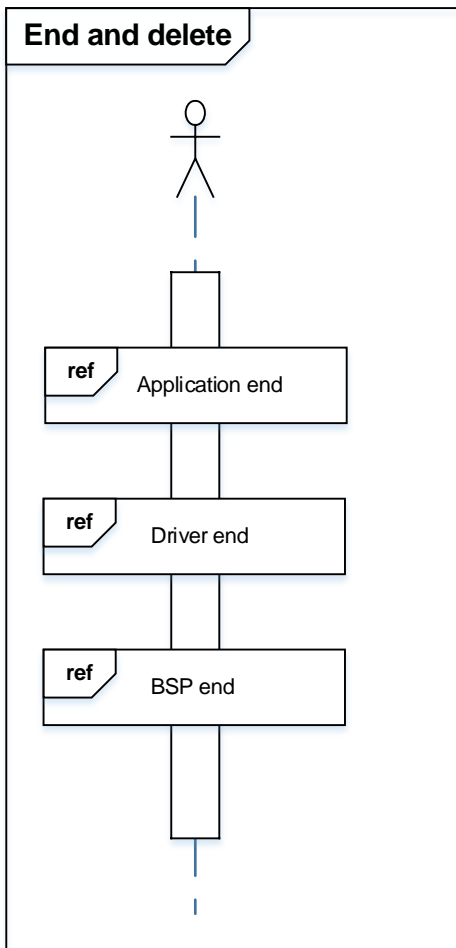
The basic operating flows of the sample program are shown in the following.

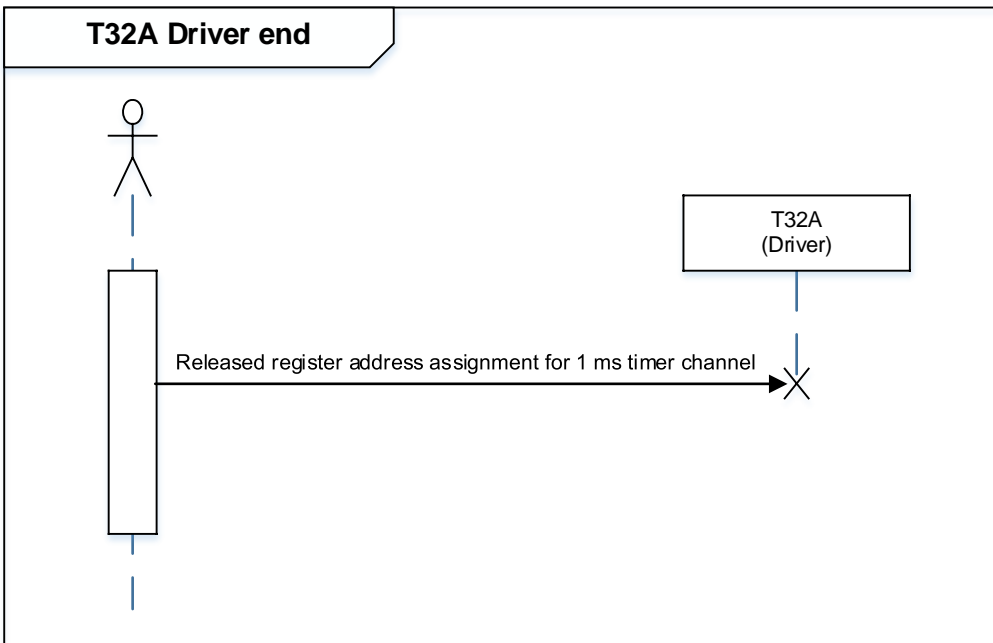
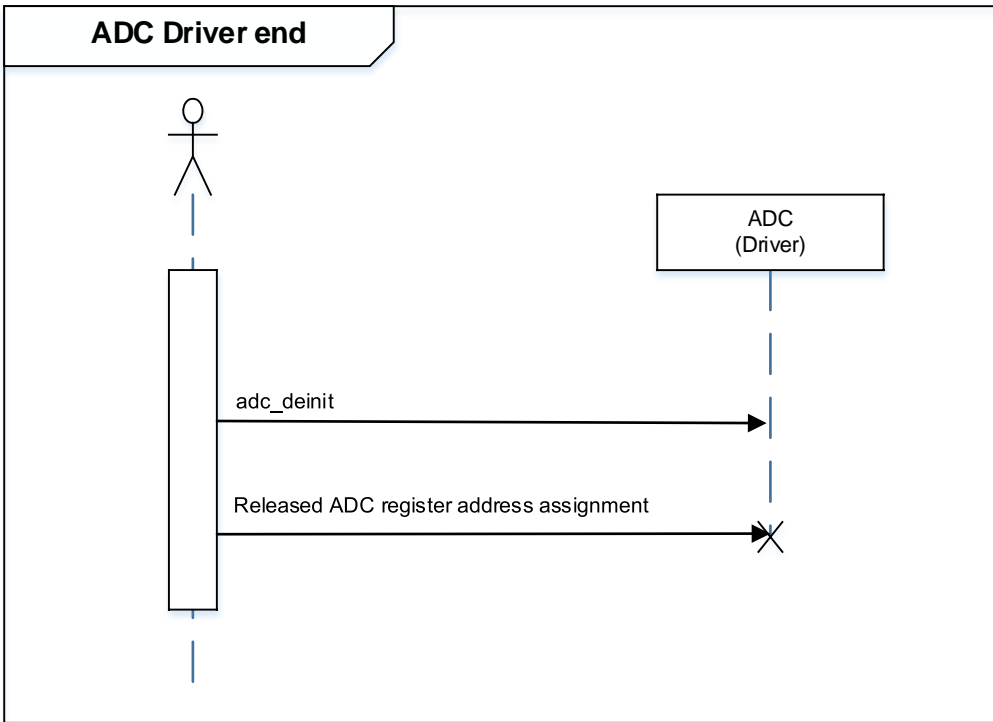


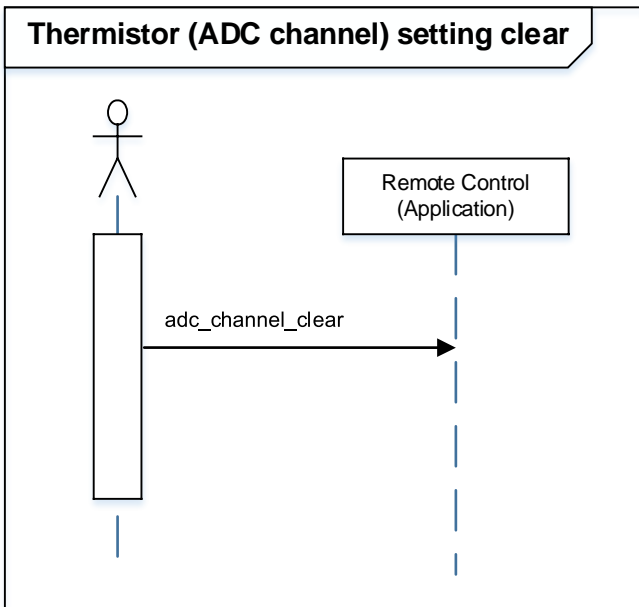
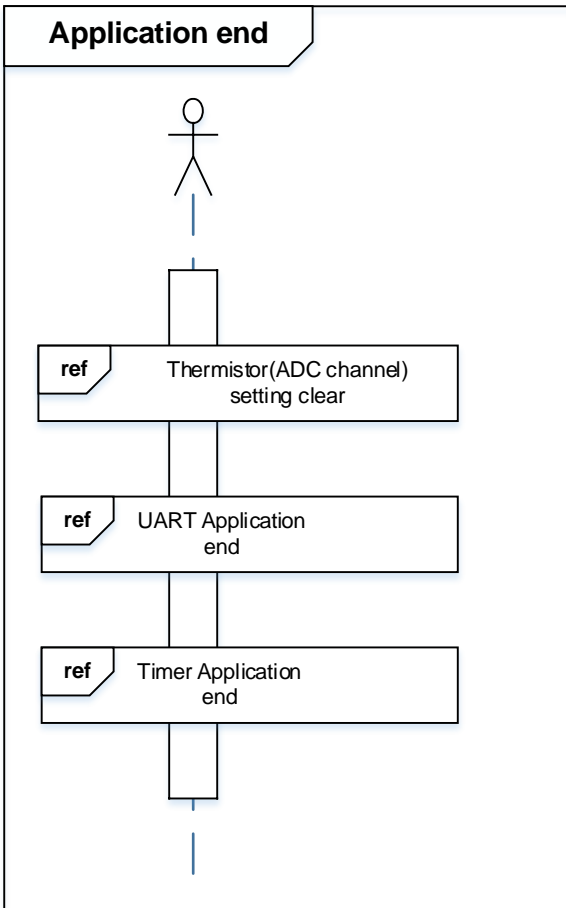


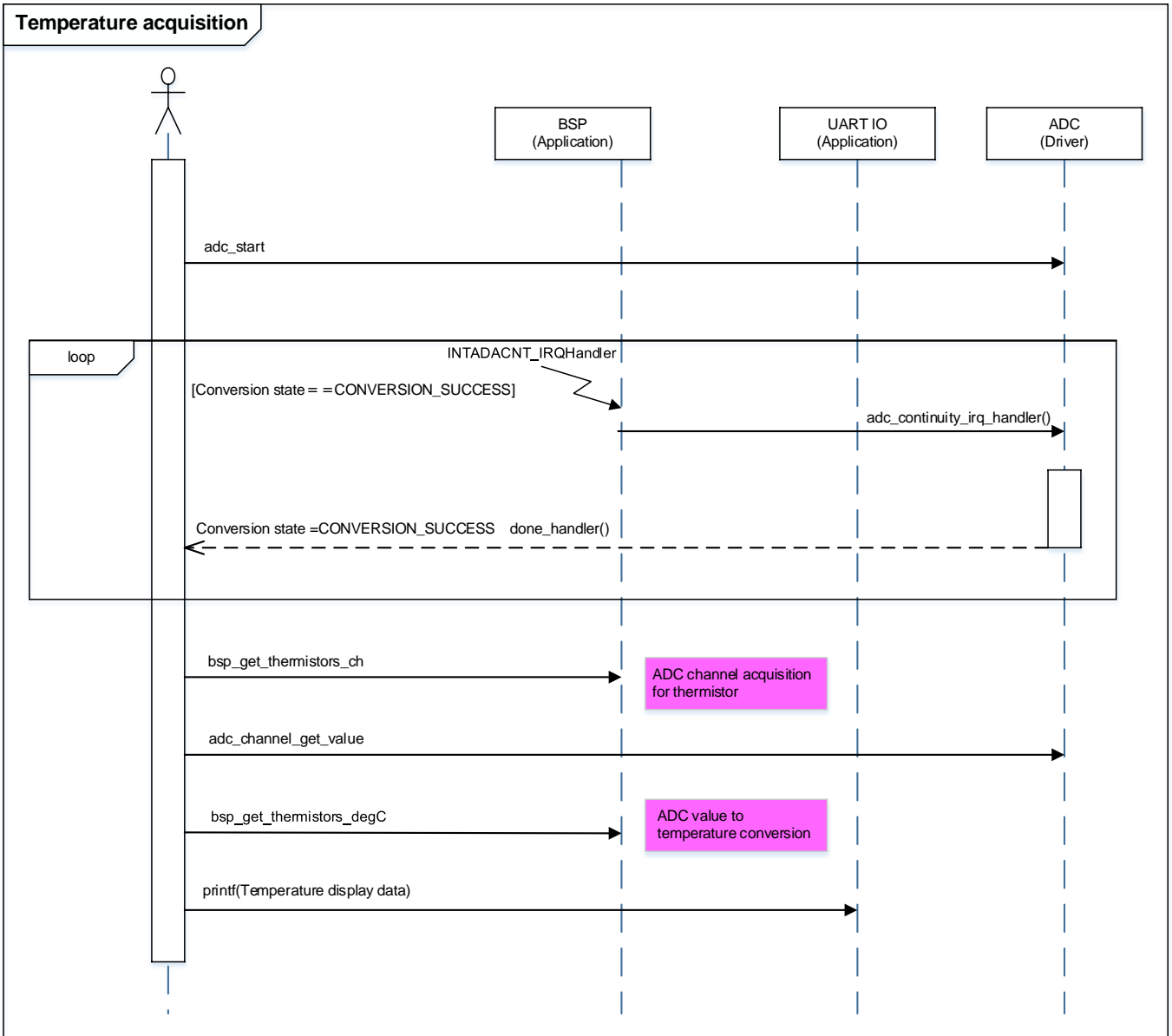












10. Precaution

When using the sample program with CPU other than TPM4G9F15, please check operation sufficiently.

11. Revision History

Rev	Date	Description
1.0	2018-11-26	First release

RESTRICTIONS ON PRODUCT USE

Toshiba Corporation and its subsidiaries and affiliates are collectively referred to as "TOSHIBA". Hardware, software and systems described in this document are collectively referred to as "Product".

- TOSHIBA reserves the right to make changes to the information in this document and related Product without notice.
- This document and any information herein may not be reproduced without prior written permission from TOSHIBA. Even with TOSHIBA's written permission, reproduction is permissible only if reproduction is without alteration/omission.
- Though TOSHIBA works continually to improve Product's quality and reliability, Product can malfunction or fail. Customers are responsible for complying with safety standards and for providing adequate designs and safeguards for their hardware, software and systems which minimize risk and avoid situations in which a malfunction or failure of Product could cause loss of human life, bodily injury or damage to property, including data loss or corruption. Before customers use the Product, create designs including the Product, or incorporate the Product into their own applications, customers must also refer to and comply with (a) the latest versions of all relevant TOSHIBA information, including without limitation, this document, the specifications, the data sheets and application notes for Product and the precautions and conditions set forth in the "TOSHIBA Semiconductor Reliability Handbook" and (b) the instructions for the application with which the Product will be used with or for. Customers are solely responsible for all aspects of their own product design or applications, including but not limited to (a) determining the appropriateness of the use of this Product in such design or applications; (b) evaluating and determining the applicability of any information contained in this document, or in charts, diagrams, programs, algorithms, sample application circuits, or any other referenced documents; and (c) validating all operating parameters for such designs and applications. **TOSHIBA ASSUMES NO LIABILITY FOR CUSTOMERS' PRODUCT DESIGN OR APPLICATIONS.**
- **PRODUCT IS NEITHER INTENDED NOR WARRANTED FOR USE IN EQUIPMENTS OR SYSTEMS THAT REQUIRE EXTRAORDINARILY HIGH LEVELS OF QUALITY AND/OR RELIABILITY, AND/OR A MALFUNCTION OR FAILURE OF WHICH MAY CAUSE LOSS OF HUMAN LIFE, BODILY INJURY, SERIOUS PROPERTY DAMAGE AND/OR SERIOUS PUBLIC IMPACT ("UNINTENDED USE").** Except for specific applications as expressly stated in this document, Unintended Use includes, without limitation, equipment used in nuclear facilities, equipment used in the aerospace industry, lifesaving and/or life supporting medical equipment, equipment used for automobiles, trains, ships and other transportation, traffic signaling equipment, equipment used to control combustions or explosions, safety devices, elevators and escalators, and devices related to power plant. **IF YOU USE PRODUCT FOR UNINTENDED USE, TOSHIBA ASSUMES NO LIABILITY FOR PRODUCT.** For details, please contact your TOSHIBA sales representative or contact us via our website.
- Product shall not be used for or incorporated into any products or systems whose manufacture, use, or sale is prohibited under any applicable laws or regulations.
- The information contained herein is presented only as guidance for Product use. No responsibility is assumed by TOSHIBA for any infringement of patents or any other intellectual property rights of third parties that may result from the use of Product. No license to any intellectual property right is granted by this document, whether express or implied, by estoppel or otherwise.
- **ABSENT A WRITTEN SIGNED AGREEMENT, EXCEPT AS PROVIDED IN THE RELEVANT TERMS AND CONDITIONS OF SALE FOR PRODUCT, AND TO THE MAXIMUM EXTENT ALLOWABLE BY LAW, TOSHIBA (1) ASSUMES NO LIABILITY WHATSOEVER, INCLUDING WITHOUT LIMITATION, INDIRECT, CONSEQUENTIAL, SPECIAL, OR INCIDENTAL DAMAGES OR LOSS, INCLUDING WITHOUT LIMITATION, LOSS OF PROFITS, LOSS OF OPPORTUNITIES, BUSINESS INTERRUPTION AND LOSS OF DATA, AND (2) DISCLAIMS ANY AND ALL EXPRESS OR IMPLIED WARRANTIES AND CONDITIONS RELATED TO SALE, USE OF PRODUCT, OR INFORMATION, INCLUDING WARRANTIES OR CONDITIONS OF MERCHANTABILITY, FITNESS FOR A PARTICULAR PURPOSE, ACCURACY OF INFORMATION, OR NONINFRINGEMENT.**
- Do not use or otherwise make available Product or related software or technology for any military purposes, including without limitation, for the design, development, use, stockpiling or manufacturing of nuclear, chemical, or biological weapons or missile technology products (mass destruction weapons). Product and related software and technology may be controlled under the applicable export laws and regulations including, without limitation, the Japanese Foreign Exchange and Foreign Trade Law and the U.S. Export Administration Regulations. Export and re-export of Product or related software or technology are strictly prohibited except in compliance with all applicable export laws and regulations.
- Please contact your TOSHIBA sales representative for details as to environmental matters such as the RoHS compatibility of Product. Please use Product in compliance with all applicable laws and regulations that regulate the inclusion or use of controlled substances, including without limitation, the EU RoHS Directive. **TOSHIBA ASSUMES NO LIABILITY FOR DAMAGES OR LOSSES OCCURRING AS A RESULT OF NONCOMPLIANCE WITH APPLICABLE LAWS AND REGULATIONS.**

TOSHIBA ELECTRONIC DEVICES & STORAGE CORPORATION

<https://toshiba.semicon-storage.com/>