

32-bit RISC Microcontroller

TXZ Family

Reference manual

**Operational Amplifier
(OPAMP-A)**

Revision 2.0

2018-05

TOSHIBA ELECTRONIC DEVICES & STORAGE CORPORATION

Contents

Preface.....	4
Related document.....	4
Conventions.....	5
Terms and Abbreviations.....	7
1. Outline.....	8
2. Configuration.....	9
3. Operation Description.....	10
3.1. Clock supply.....	10
3.2. Voltage Input.....	10
3.3. OPAMP function control.....	10
3.4. Gain control.....	10
3.5. Voltage Output.....	10
3.6. Connection diagram of OPAMP.....	11
4. Registers.....	12
4.1. Register List.....	12
4.2. Detail of Registers.....	12
4.2.1. [AMPCTLA] (OPAMP control register A).....	12
5. Usage.....	13
5.1. Example of use during motor control (shunt resistor voltage measurement operation).....	13
5.2. Usage examples for single amplifier operation.....	15
6. Revision History.....	16
RESTRICTIONS ON PRODUCT USE.....	17

List of Figures

Figure 2.1	Configuration diagram of OPAMP module.....	9
Figure 3.1	Connection diagram of OPAMP	11
Figure 5.1	Assumed circuit at motor control operation	13
Figure 5.2	Gain setting circuit for single amplifier operation	15

List of Tables

Table 2.1	List of Signals	9
Table 5.1	Relationship between gain setting and amplifier output during motor control operation	14
Table 5.2	Relationship between gain setting and amplifier output when single amplifier operation	15
Table 6.1	Revision History.....	16

Preface

Related document

Document name
Input/Output Ports
12-bit Analog to Digital Converter
Product Information

Conventions

- Numeric formats follow the rules as shown below:
 - Hexadecimal: 0xABC
 - Decimal: 123 or 0d123 – Only when it needs to be explicitly shown that they are decimal numbers.
 - Binary: 0b111 – It is possible to omit the "0b" when the number of bit can be distinctly understood from a sentence.
- "_N" is added to the end of signal names to indicate low active signals.
- It is called "assert" that a signal moves to its active level, "deassert" to its inactive level.
- When two or more signal names are referred, they are described like as [m: n].
Example: S[3: 0] shows four signal names S3, S2, S1 and S0 together.
- The characters surrounded by [] defines the register.
Example: *[ABCD]*
- "n" substitutes suffix number of two or more same kind of registers, fields, and bit names.
Example: *[XYZ1], [XYZ2], [XYZ3] → [XYZn]*
- "x" substitutes suffix number or character of units and channels in the Register List.
In case of unit, "x" means A, B, and C ...
Example: *[ADACR0], [ADBCR0], [ADCCR0] → [ADxCR0]*
In case of channel, "x" means 0, 1, and 2 ...
Example: *[T32A0RUNA], [T32A1RUNA], [T32A2RUNA] → [T32AxRUNA]*
- The bit range of a register is written like as [m: n].
Example: Bit[3: 0] expresses the range of bit 3 to 0.
- The configuration value of a register is expressed by either the hexadecimal number or the binary number.
Example: *[ABCD]<EFG> =0x01* (hexadecimal), *[XYZn]<VW> =1* (binary)
- Word and Byte represent the following bit length.
 - Byte: 8 bits
 - Half word: 16 bits
 - Word: 32 bits
 - Double word: 64 bits
- Properties of each bit in a register are expressed as follows:
 - R: Read only
 - W: Write only
 - R/W: Read and Write are possible
- Unless otherwise specified, register access supports only word access.
- The register defined as reserved must not be rewritten. Moreover, do not use the read value.
- The value read from the bit having default value of "-" is unknown.
- When a register containing both of writable bits and read-only bits is written, read-only bits should be written with their default value, In the cases that default is "-", follow the definition of each register.
- Reserved bits of the Write-only register should be written with their default value.
In the cases that default is "-", follow the definition of each register.
- Do not use read-modified-write processing to the register of a definition which is different by writing and read out.

Arm, Cortex and Thumb are registered trademarks of Arm Limited (or its subsidiaries) in the US
and/or elsewhere. All rights reserved.



The Flash memory uses the Super Flash® technology under the license of Silicon Storage Technology, Inc.
Super Flash® is registered trademark of Silicon Storage Technology, Inc.

All other company names, product names, and service names mentioned herein may be trademarks of their
respective companies.

Terms and Abbreviations

Some of abbreviations used in this document are as follows:

ADC	Analog to Digital Converter
AMP	Amplifier
OPAMP	Operational Amplifier

1. Outline

The OPAMP amplifies a port input voltage and outputs it to the 12-bit SAR type analog to digital converter (ADC). This circuit is used to amplify the voltage of the shunt resistor that detects the motor current.

Function classification	Function	Operation explanation
Input	Voltage Input (Differential input type)	Differential input of the voltage both ends of the shunt resistor that detects the motor current.
	Amplifier function control	When not using OPAMP, it can also be used as a normal analog input by bypassing the input.
Amplification	Amplification of input voltage	It amplifies the differential input voltage. The gain can be selected from 12 levels. Gain: 2x, 2.5x, 3x, 3.5x, 4x, 4.5x, 6x, 7x, 8x, 10x, 12x, 15x
Output	Voltage Output	It outputs the amplified voltage to the ADC.

2. Configuration

This OPAMP has two OPAMP inputs and one OPAMP output, consists of the OPAMP main body and bypass circuit and OPAMP control register.

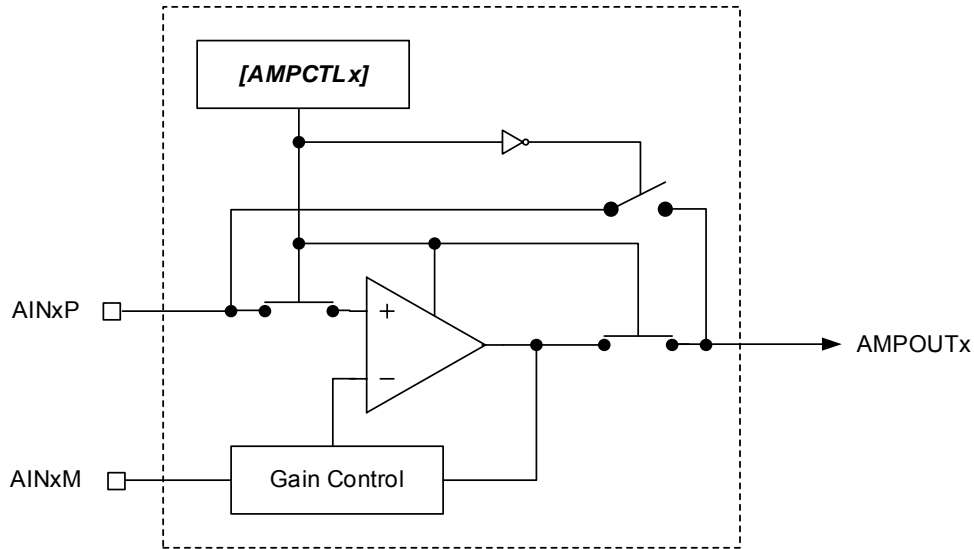


Figure 2.1 Configuration diagram of OPAMP module

Table 2.1 List of Signals

No.	Signal Name		I/O	Related Reference Manual
1	AINxP	Analog Input x pin (OPAMP x Differential input (+))	Input	Input/Output Ports 12-bit Analog to Digital Converter Product Information
2	AINxM	Analog Input x pin (OPAMP x Differential input(-))	Input	Input/Output Ports 12-bit Analog to Digital Converter Product Information
3	AMPOUTx	OPAMP x output	Output	12-bit Analog to Digital Converter Product Information

Note: For the connection destination for each product, please refer to the reference manual "Product Information".

3. Operation Description

3.1. Clock supply

When you use OPAMP, please set an applicable clock enable bit to "1" (clock supply) in Clock supply and stop register A for fsys (*[CGFSYSENA]*, (*[CGFSYSMENA]*) or Clock supply and stop register B for fsys (*[CGFSYSENB]*, (*[CGFSYSMENB]*), and Clock supply and stop register for fc (*[CGFCEN]*). An applicable register and the bit position vary according to a product. Therefore, the register may not exist with the product. Please refer to "Clock Control and Operation Mode" of the reference manual for the details.

3.2. Voltage Input

OPAMP is a differential input type, making it less susceptible to wiring noise etc. Enter the voltage both ends of the shunt resistor that detects the motor current.

3.3. OPAMP function control

By setting the OPAMP control register *[AMPCTLx]* <AMPEN> = 1 (valid), the OPAMP function is enabled.

By setting the OPAMP control register *[AMPCTLx]* <AMPEN> = 0 (invalid), the input to the amplifier + side (AINxP terminal) is bypassed and output from AMPOUTx. After reset, *[AMPCTLx]* <AMPEN> = 0 (invalid).

If you do not use an OPAMP, such as using an external connection amplifier, it can also be used as a normal analog input by bypassing the OPAMP.

3.4. Gain control

The OPAMP can set the gain of 12 steps. Set the gain with the OPAMP control register *[AMPCTLx]* <AMPGAIN[3: 0]>.

Magnification ratios that can set the gain are 2, 2.5, 3, 3.5, 4, 4.5, 6, 7, 8, 10, 12 and 15.

3.5. Voltage Output

When using the OPAMP, the voltage amplified with the gain set magnification is output.

The output of the OPAMP is output to the ADC.

When bypassing the OPAMP, the analog input is directly connected to the ADC.

3.6. Connection diagram of OPAMP

- Example of TMPM4K4FYA

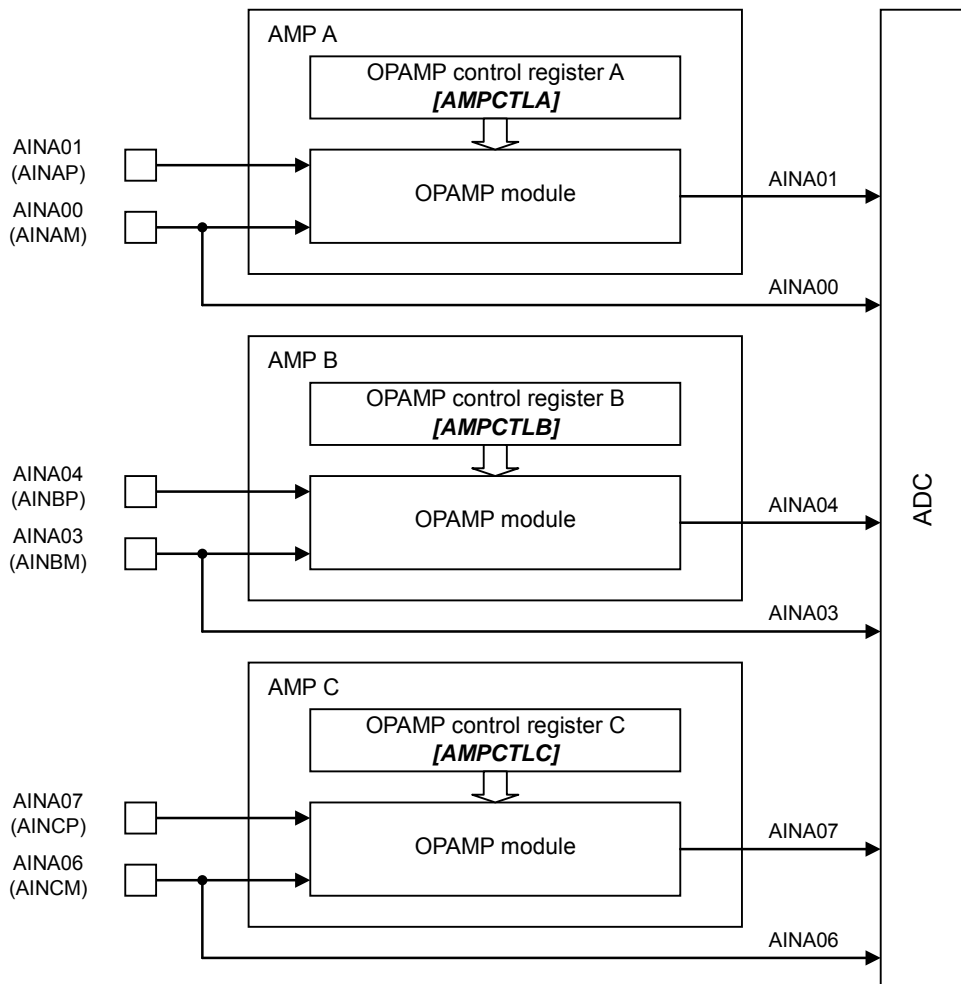


Figure 3.1 Connection diagram of OPAMP

Note: For the connection destination for each product, please refer to the reference manual "Product Information".

4. Registers

4.1. Register List

The following table lists the control registers and their addresses:

Peripheral function		Channel/Unit	Base address		
			TYPE1	TYPE2	TYPE3
Operational Amplifier	OPAMP	-	0x400BC000	0x400BD000	0x4005D000

Note: The base address type and channel/unit number vary according to a product. Please refer to "Product Information" of the reference manual for the details.

Register Name		Address(Base+)
OPAMP control register A	[AMPCTLA]	0x0000
OPAMP control register B	[AMPCTLB]	0x0004
OPAMP control register C	[AMPCTLC]	0x0008

4.2. Detail of Registers

4.2.1. [AMPCTLA] (OPAMP control register A)

An example of [AMPCTLA], [AMPCTLB], [AMPCTLC] has the same configuration.

Bit	Bit Symbol	After reset	Type	Function
31:5	-	0	R	Read as "0".
4:1	AMPGAIN[3:0]	0000	R/W	Gain setting(Note3) 0000: 2.0x 0101:4.5x 1010:12.0x 0001: 2.5x 0110:6.0x 1011:15.0x 0010: 3.0x 0111:7.0x 0011: 3.5x 1000:8.0x 0100: 4.0x 1001:10.0x Please do not set other than above.
0	AMPEN	0	R/W	Enables/disables the Amp function 1: Enabled 0: Disabled (Note1)(Note2)

Note1: To change the gain setting, please do with <AMPEN>=0.

Note2: When the amplifier is enabled, it takes about 10 μs until the circuit stabilizes.

Note3: Refer to "5.1. Example of use during motor control (shunt resistor voltage measurement operation)" for motor control examples.

5. Usage

5.1. Example of use during motor control (shunt resistor voltage measurement operation)

When the OPAMP is used for motor control use, it is used to amplify the voltage both ends of the shunt resistor that detects the motor current.

In this case, assuming the following circuit, if the shunt voltage $V1$ is taken as a reference, the voltage amplified with the magnification set by the following calculation formula is output from the OPAMP output AMPOUT.

(Formula)

$$AMPOUT = R2/R1 \times (V1 - V0) + Vref$$

** Condition(1) $R2/R1 = R2'/R1'$

Condition(2) $Vref(\text{Reference Power voltage}) = AVDD/2$

Condition(3) $V(-)$ input is 0V(Equivalent to analog GND)

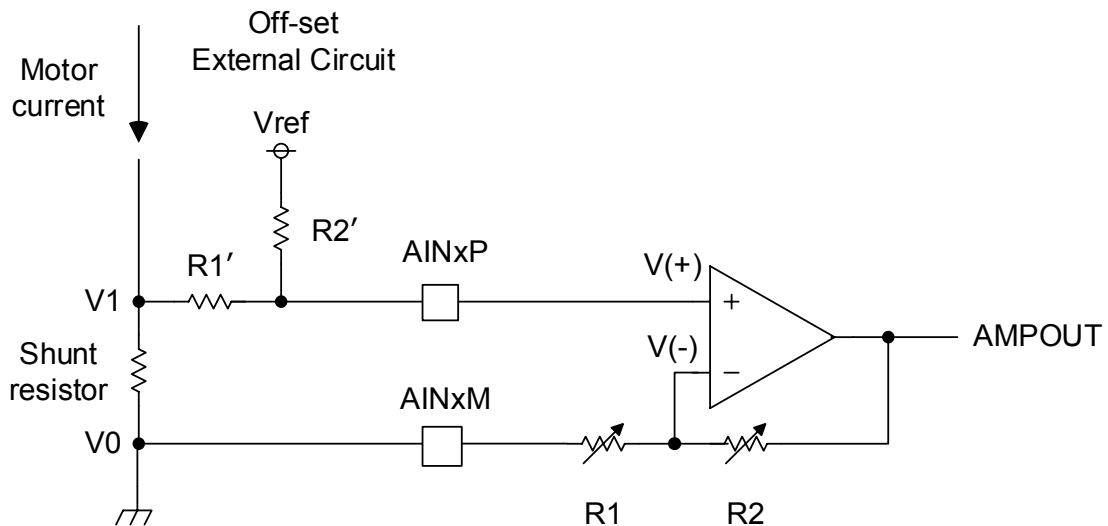


Figure 5.1 Assumed circuit at motor control operation

Table 5.1 Relationship between gain setting and amplifier output during motor control operation

Gain setting	Amp output from AMPOUT	R1(Ω)	R2(Ω)
2×	1×	7500	7500
2.5×	1.5×	6000	9000
3×	2×	5000	10000
3.5×	2.5×	4286	10714
4×	3×	3750	11250
4.5×	3.5×	3333	11667
6×	5×	2500	12500
7×	6×	2143	12857
8×	7×	1875	13125
10×	9×	1500	13500
12×	11×	1250	13750
15×	14×	1000	14000

Note: Internal resistor R1 , R2 are Typical value.

5.2. Usage examples for single amplifier operation

When using the OPAMP by itself, input it directly to the OPAMP V (+). With reference to the input V (+) of the OPAMP, the voltage amplified with the magnification set by the following calculation expression is output from the OPAMP output AMPOUT.

(Formula)

$$AMPOUT = (1 + R2/R1) \times AINxP$$

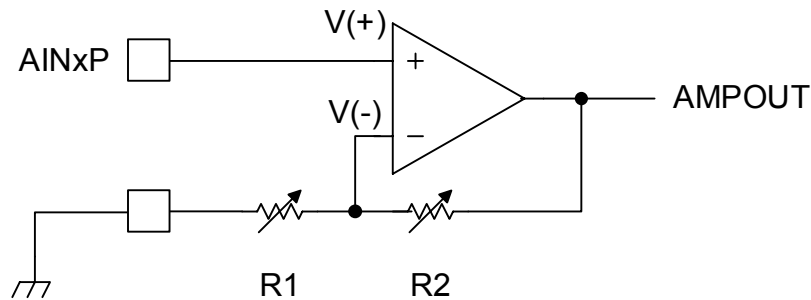


Figure 5.2 Gain setting circuit for single amplifier operation

Table 5.2 Relationship between gain setting and amplifier output when single amplifier operation

Gain setting	Amp output from AMPOUT	R1(Ω)	R2(Ω)
2×	2×	7500	7500
2.5×	2.5×	6000	9000
3×	3×	5000	10000
3.5×	3.5×	4286	10714
4×	4×	3750	11250
4.5×	4.5×	3333	11667
6×	6×	2500	12500
7×	7×	2143	12857
8×	8×	1875	13125
10×	10×	1500	13500
12×	12×	1250	13750
15×	15×	1000	14000

6. Revision History

Table 6.1 Revision History

Revision	Date	Description
1.0	2017-11-14	First release
2.0	2018-05-08	<ul style="list-style-type: none"> - "Terms and Abbreviations" Deleted Op-Amp - "1.Outlines" 1st line: AD converter →ADC Table Voltege Output/Operation explanation term: 12-bit SAR type analog to digital converter (AD converter) →ADC. Op-Amp → OPAMP - 2. Configuration Modified Op-Amp → OPAMP (1st line, Table2.1) - "3.1.Clock supply" Op-Amp → OPAMP fsys supply stop register A →Clock supply and stop register A for fsys fsys supply stop register B →Clock supply and stop register B for fsys fc supply stop registers →Clock supply and stop register for fc -3.2 Voltage Input Modified Op-Amp → OPAMP - 3.3 OPAMP function control Modified Op-Amp → OPAMP -"3.5.Voltage Output" 12-bit SAR type analog to digital converter (AD converter) →ADC AD converter → ADC - 3.6 Connection diagram of OPAMP Modified Op-Amp → OPAMP(Title, Figure3.1)- "4.1." Table of Base address: Peripheral →Peripheral function Deleted: Function name, Added: "TYPE" raw AMP → OPAMP Op-Amp control register A → OPAMP control register A Op-Amp control register B → OPAMP control register B Op-Amp control register C → OPAMP control register C Added Note - "4.2.1." [AMPCTLB] [AMPCTLC] → [AMPCTLB], [AMPCTLC] -5.1 Example of use during motor control Modified Op-Amp → OPAMP - 5.2 Usage examples for single amplifier operation Modified Op-Amp → OPAMP

RESTRICTIONS ON PRODUCT USE

Toshiba Corporation and its subsidiaries and affiliates are collectively referred to as "TOSHIBA". Hardware, software and systems described in this document are collectively referred to as "Product".

- TOSHIBA reserves the right to make changes to the information in this document and related Product without notice.
- This document and any information herein may not be reproduced without prior written permission from TOSHIBA. Even with TOSHIBA's written permission, reproduction is permissible only if reproduction is without alteration/omission.
- Though TOSHIBA works continually to improve Product's quality and reliability, Product can malfunction or fail. Customers are responsible for complying with safety standards and for providing adequate designs and safeguards for their hardware, software and systems which minimize risk and avoid situations in which a malfunction or failure of Product could cause loss of human life, bodily injury or damage to property, including data loss or corruption. Before customers use the Product, create designs including the Product, or incorporate the Product into their own applications, customers must also refer to and comply with (a) the latest versions of all relevant TOSHIBA information, including without limitation, this document, the specifications, the data sheets and application notes for Product and the precautions and conditions set forth in the "TOSHIBA Semiconductor Reliability Handbook" and (b) the instructions for the application with which the Product will be used with or for. Customers are solely responsible for all aspects of their own product design or applications, including but not limited to (a) determining the appropriateness of the use of this Product in such design or applications; (b) evaluating and determining the applicability of any information contained in this document, or in charts, diagrams, programs, algorithms, sample application circuits, or any other referenced documents; and (c) validating all operating parameters for such designs and applications. **TOSHIBA ASSUMES NO LIABILITY FOR CUSTOMERS' PRODUCT DESIGN OR APPLICATIONS.**
- **PRODUCT IS NEITHER INTENDED NOR WARRANTED FOR USE IN EQUIPMENTS OR SYSTEMS THAT REQUIRE EXTRAORDINARILY HIGH LEVELS OF QUALITY AND/OR RELIABILITY, AND/OR A MALFUNCTION OR FAILURE OF WHICH MAY CAUSE LOSS OF HUMAN LIFE, BODILY INJURY, SERIOUS PROPERTY DAMAGE AND/OR SERIOUS PUBLIC IMPACT ("UNINTENDED USE").** Except for specific applications as expressly stated in this document, Unintended Use includes, without limitation, equipment used in nuclear facilities, equipment used in the aerospace industry, medical equipment, equipment used for automobiles, trains, ships and other transportation, traffic signaling equipment, equipment used to control combustions or explosions, safety devices, elevators and escalators, devices related to electric power, and equipment used in finance-related fields. **IF YOU USE PRODUCT FOR UNINTENDED USE, TOSHIBA ASSUMES NO LIABILITY FOR PRODUCT.** For details, please contact your TOSHIBA sales representative.
- Do not disassemble, analyze, reverse-engineer, alter, modify, translate or copy Product, whether in whole or in part.
- Product shall not be used for or incorporated into any products or systems whose manufacture, use, or sale is prohibited under any applicable laws or regulations.
- The information contained herein is presented only as guidance for Product use. No responsibility is assumed by TOSHIBA for any infringement of patents or any other intellectual property rights of third parties that may result from the use of Product. No license to any intellectual property right is granted by this document, whether express or implied, by estoppel or otherwise.
- **ABSENT A WRITTEN SIGNED AGREEMENT, EXCEPT AS PROVIDED IN THE RELEVANT TERMS AND CONDITIONS OF SALE FOR PRODUCT, AND TO THE MAXIMUM EXTENT ALLOWABLE BY LAW, TOSHIBA (1) ASSUMES NO LIABILITY WHATSOEVER, INCLUDING WITHOUT LIMITATION, INDIRECT, CONSEQUENTIAL, SPECIAL, OR INCIDENTAL DAMAGES OR LOSS, INCLUDING WITHOUT LIMITATION, LOSS OF PROFITS, LOSS OF OPPORTUNITIES, BUSINESS INTERRUPTION AND LOSS OF DATA, AND (2) DISCLAIMS ANY AND ALL EXPRESS OR IMPLIED WARRANTIES AND CONDITIONS RELATED TO SALE, USE OF PRODUCT, OR INFORMATION, INCLUDING WARRANTIES OR CONDITIONS OF MERCHANTABILITY, FITNESS FOR A PARTICULAR PURPOSE, ACCURACY OF INFORMATION, OR NONINFRINGEMENT.**
- Do not use or otherwise make available Product or related software or technology for any military purposes, including without limitation, for the design, development, use, stockpiling or manufacturing of nuclear, chemical, or biological weapons or missile technology products (mass destruction weapons). Product and related software and technology may be controlled under the applicable export laws and regulations including, without limitation, the Japanese Foreign Exchange and Foreign Trade Law and the U.S. Export Administration Regulations. Export and re-export of Product or related software or technology are strictly prohibited except in compliance with all applicable export laws and regulations.
- Please contact your TOSHIBA sales representative for details as to environmental matters such as the RoHS compatibility of Product. Please use Product in compliance with all applicable laws and regulations that regulate the inclusion or use of controlled substances, including without limitation, the EU RoHS Directive. **TOSHIBA ASSUMES NO LIABILITY FOR DAMAGES OR LOSSES OCCURRING AS A RESULT OF NONCOMPLIANCE WITH APPLICABLE LAWS AND REGULATIONS.**