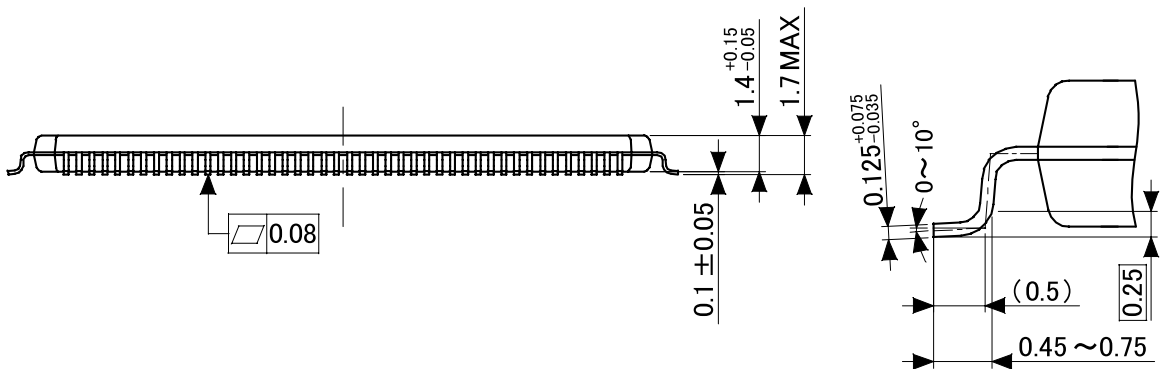
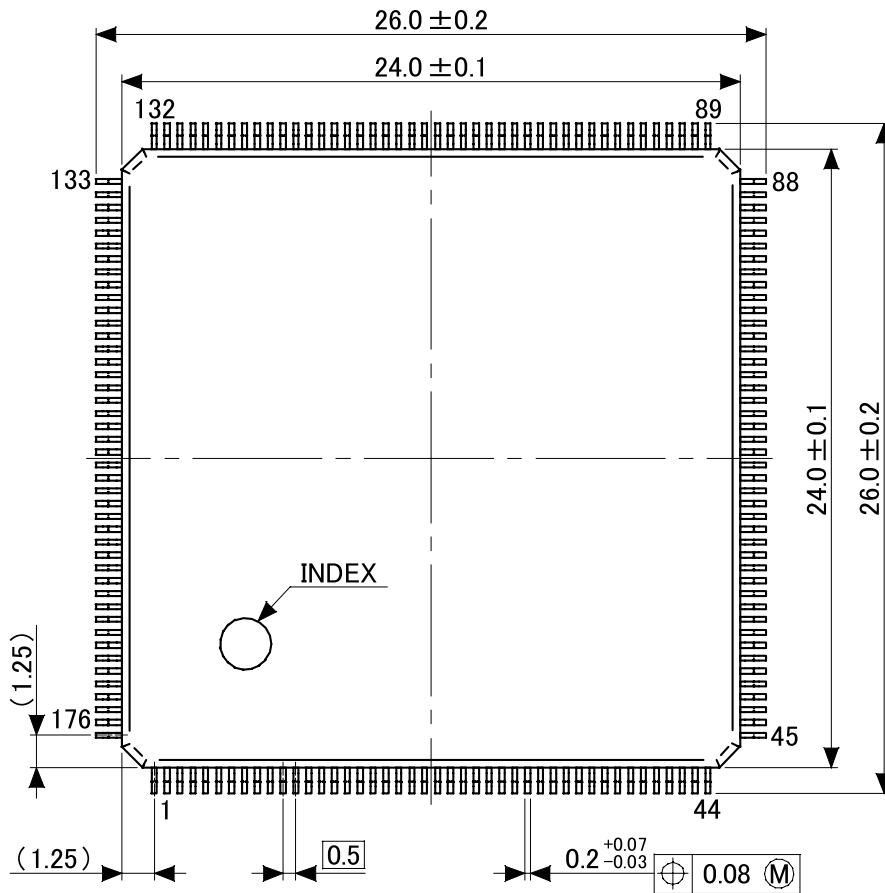


Package dimension

“Unit : mm”

LQFP176-P-2424-0.50D



Note) The drawing is package outline.
If you have some question about the detail dimensions, please contact us.