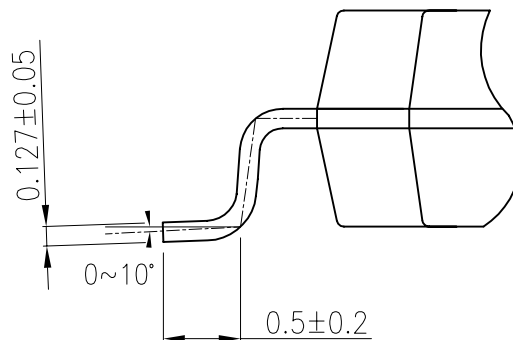
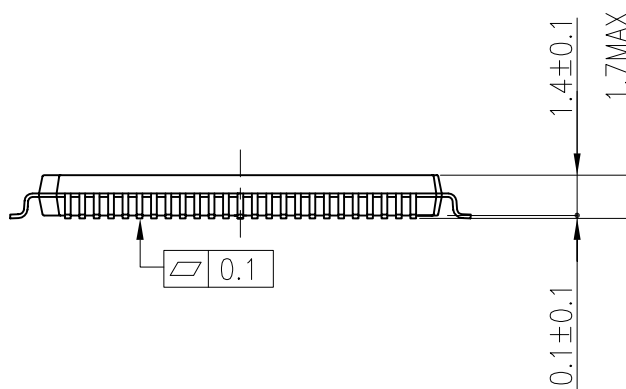
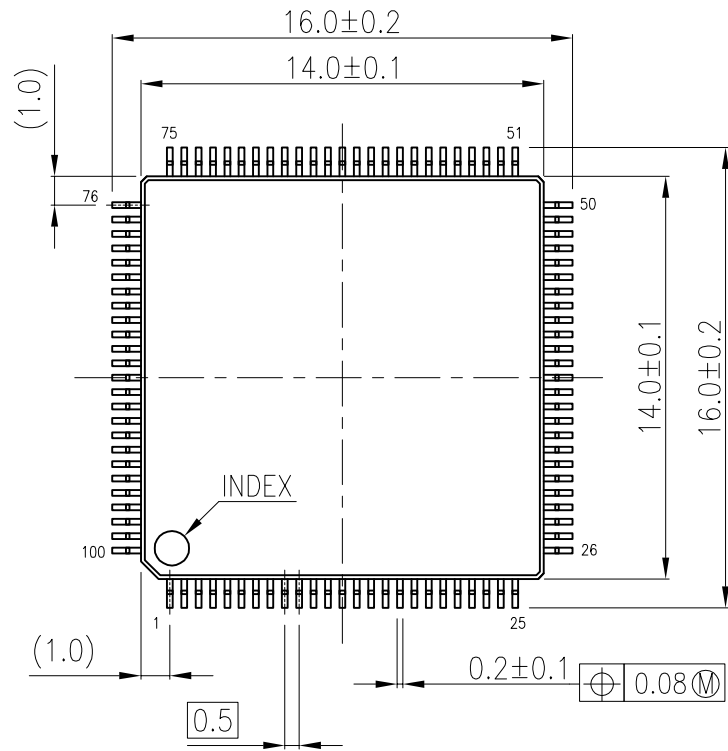


Package dimension

"Unit:mm"

LQFP100-P-1414-0.50G



Note) The drawing is package outline.
If you have some question about the detail dimensions, please contact us.