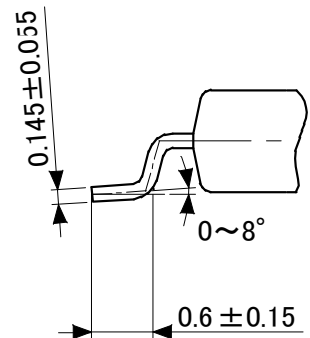
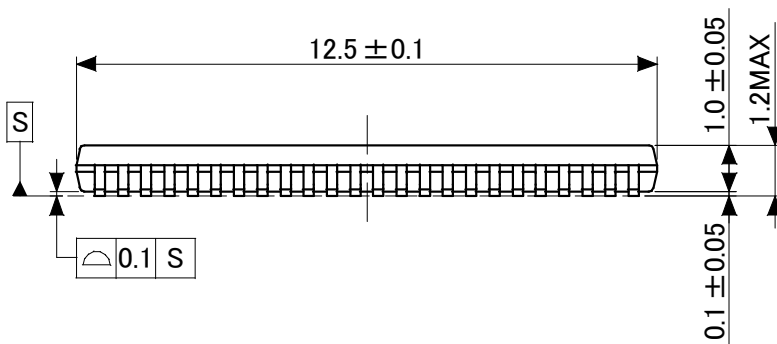
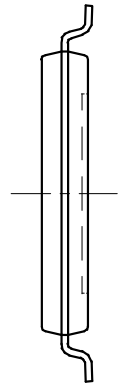
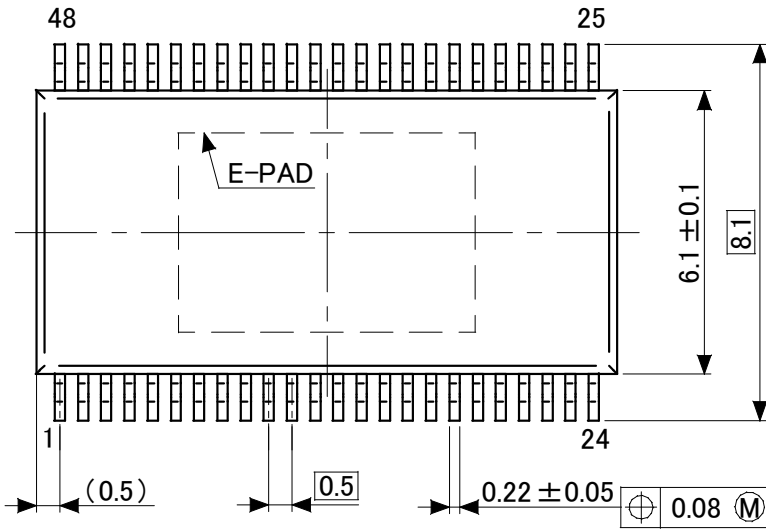


Package dimension

HTSSOP48-P-300-0.50

“Unit : mm”



Note) The drawing is package outline.
If you have some question about the detail dimensions, please contact us.