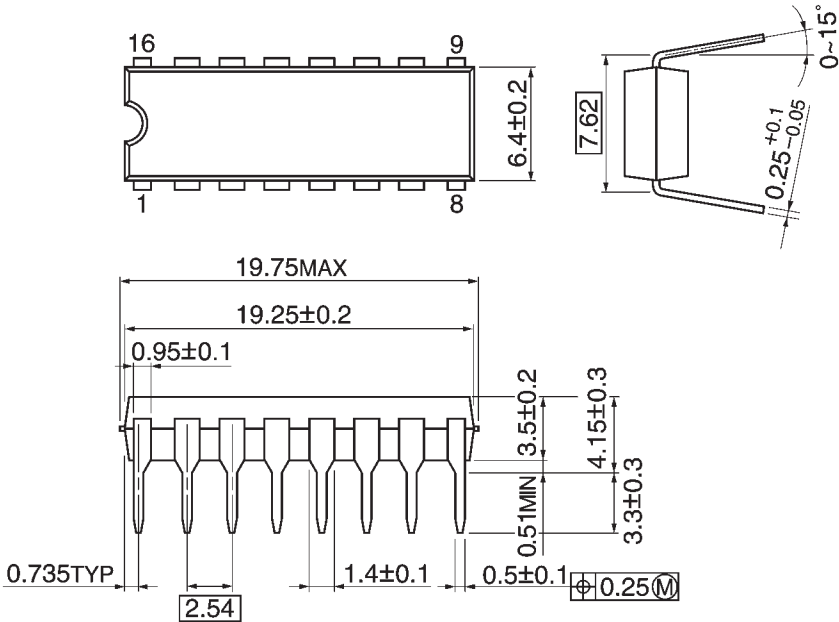


Package dimension

DIP16-P-300-2.54A

Unit: mm



Note) The drawing is package outline.

If you have some question about the detail dimensions, please contact us.