

TOSHIBA CCD Linear Image Sensor CCD (Charge Coupled Device)

TCD2728DG

TOSHIBA Linear Image Sensor CCD (Charge Coupled Device)

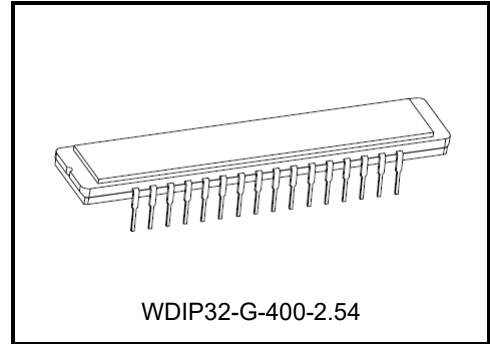
TCD2728DG

The TCD2728DG is a high sensitive and low dark current 7500 elements × 3 lines CCD color linear image sensor.

The device contains a row of 7500 elements × 3 lines photodiodes which provide 24 lines/mm across a A3 size paper. The device is operated by 3.3 V pulse and 3.3 V & 10.0 V power supply.

Features

- Number of Image Sensing Elements: 7500 elements × 3 lines
- Image Sensing Element Size: 4.7 μm by 4.7 μm on 4.7 μm center
- Photo Sensing Region: High sensitive PN photodiode
- Power Supply Voltage: 3.3 V & 10.0 V (typ.)
- Distance between Photodiode Array: 9.4 μm (2 lines) B array – G array, G array – R array
- Internal Circuit: Timing generator circuit, Clamp circuit, Sample and hold circuit
- Package: 32 pin CERDIP
- Color Filter: Red, Green, Blue

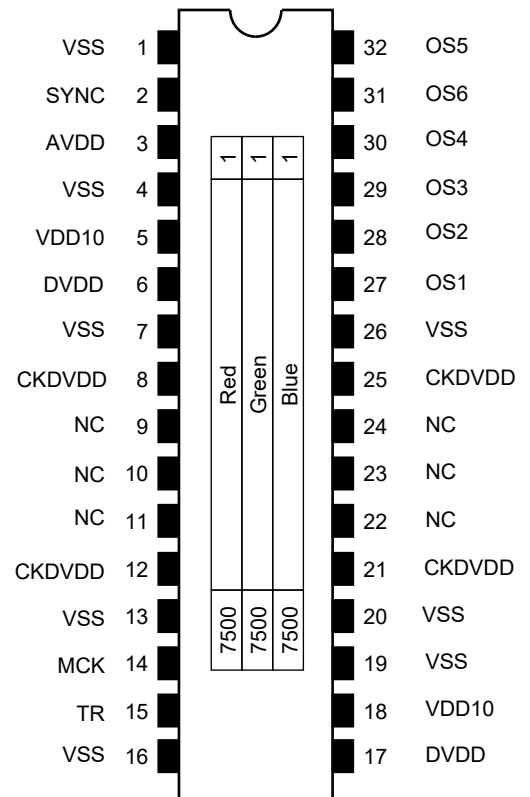


ABSOLUTE MAXIMUM RATINGS (Note 1)

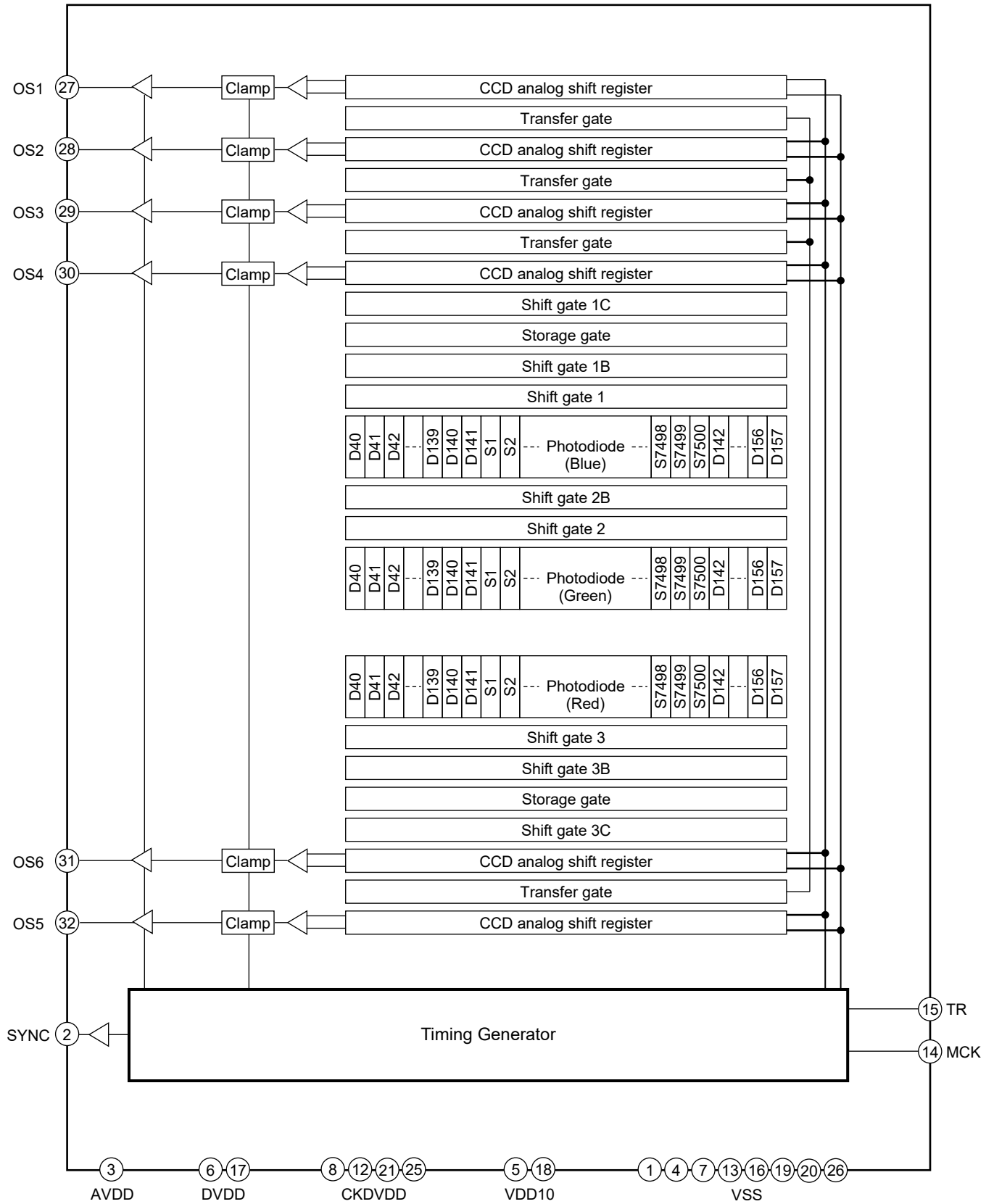
Characteristics	Symbol	Rating	Unit
MCK Clock pulse voltage	VMCK	-0.3 to +5.0	V
TR Clock pulse voltage	VTR		
3.3 V Power supply voltage	VAVDD	-0.3 to +5.0	
	VDVDD	-0.3 to +5.0	
	VCKDVDD	-0.3 to +5.0	
10 V Power supply voltage	VVDD10	-0.3 to +13.5	
Operating temperature	T _{opr}	0 to 60	°C
Storage temperature	T _{stg}	-25 to +85	

Note 1: All voltages are with respect to VSS terminals (ground).
 None of the ABSOLUTE MAXIMUM RATINGS must be exceeded, even instantaneously.
 If any one of the ABSOLUTE MAXIMUM RATINGS is exceeded, the electrical characteristics, reliability and life time of the device cannot be guaranteed. If the ABSOLUTE MAXIMUM RATINGS are exceeded, the device can be permanently damaged or degraded.
 Create a system design in such a manner that any of the ABSOLUTE MAXIMUM RATINGS will not be exceeded under any circumstances.

Pin Connections (top view)



Circuit Diagram



Pin Names

Pin No.	Symbol	Name	Pin No.	Symbol	Name
1	VSS	Ground	32	OS5	Output signal 5 (Red(Odd))
2	SYNC	Synchronized signal for OS	31	OS6	Output signal 6 (Red(Even))
3	AVDD	3.3 V Power supply (Analog)	30	OS4	Output signal 4 (Green(Even))
4	VSS	Ground	29	OS3	Output signal 3 (Green(Odd))
5	VDD10	10 V Power supply	28	OS2	Output signal 2 (Blue(Even))
6	DVDD	3.3 V Power supply (Digital)	27	OS1	Output signal 1 (Blue(Odd))
7	VSS	Ground	26	VSS	Ground
8	CKDVDD	3.3 V Power supply (Digital, for internal driver)	25	CKDVDD	3.3 V Power supply (Digital, for internal driver)
9	NC	Non connection	24	NC	Non connection
10	NC	Non connection	23	NC	Non connection
11	NC	Non connection	22	NC	Non connection
12	CKDVDD	3.3 V Power supply (Digital, for internal driver)	21	CKDVDD	3.3 V Power supply (Digital, for internal driver)
13	VSS	Ground	20	VSS	Ground
14	MCK	Master clock	19	VSS	Ground
15	TR	Line start pulse	18	VDD10	10 V Power supply
16	DVSS	Ground	17	DVDD	3.3 V Power supply (Digital)

RESTRICTIONS ON PRODUCT USE

Toshiba Corporation and its subsidiaries and affiliates are collectively referred to as "TOSHIBA". Hardware, software and systems described in this document are collectively referred to as "Product".

- TOSHIBA reserves the right to make changes to the information in this document and related Product without notice.
- This document and any information herein may not be reproduced without prior written permission from TOSHIBA. Even with TOSHIBA's written permission, reproduction is permissible only if reproduction is without alteration/omission.
- Though TOSHIBA works continually to improve Product's quality and reliability, Product can malfunction or fail. Customers are responsible for complying with safety standards and for providing adequate designs and safeguards for their hardware, software and systems which minimize risk and avoid situations in which a malfunction or failure of Product could cause loss of human life, bodily injury or damage to property, including data loss or corruption. Before customers use the Product, create designs including the Product, or incorporate the Product into their own applications, customers must also refer to and comply with (a) the latest versions of all relevant TOSHIBA information, including without limitation, this document, the specifications, the data sheets and application notes for Product and the precautions and conditions set forth in the "TOSHIBA Semiconductor Reliability Handbook" and (b) the instructions for the application with which the Product will be used with or for. Customers are solely responsible for all aspects of their own product design or applications, including but not limited to (a) determining the appropriateness of the use of this Product in such design or applications; (b) evaluating and determining the applicability of any information contained in this document, or in charts, diagrams, programs, algorithms, sample application circuits, or any other referenced documents; and (c) validating all operating parameters for such designs and applications. **TOSHIBA ASSUMES NO LIABILITY FOR CUSTOMERS' PRODUCT DESIGN OR APPLICATIONS.**
- **PRODUCT IS NEITHER INTENDED NOR WARRANTED FOR USE IN EQUIPMENTS OR SYSTEMS THAT REQUIRE EXTRAORDINARILY HIGH LEVELS OF QUALITY AND/OR RELIABILITY, AND/OR A MALFUNCTION OR FAILURE OF WHICH MAY CAUSE LOSS OF HUMAN LIFE, BODILY INJURY, SERIOUS PROPERTY DAMAGE AND/OR SERIOUS PUBLIC IMPACT ("UNINTENDED USE").** Except for specific applications as expressly stated in this document, Unintended Use includes, without limitation, equipment used in nuclear facilities, equipment used in the aerospace industry, Class 3 medical devices, equipment used for automobiles, and military vehicles and munitions. **IF YOU USE PRODUCT FOR UNINTENDED USE, TOSHIBA ASSUMES NO LIABILITY FOR PRODUCT.** For details, please contact your TOSHIBA sales representative or contact us via our website.
- Do not disassemble, analyze, reverse-engineer, alter, modify, translate or copy Product, whether in whole or in part.
- Product shall not be used for or incorporated into any products or systems whose manufacture, use, or sale is prohibited under any applicable laws or regulations.
- The information contained herein is presented only as guidance for Product use. No responsibility is assumed by TOSHIBA for any infringement of patents or any other intellectual property rights of third parties that may result from the use of Product. No license to any intellectual property right is granted by this document, whether express or implied, by estoppel or otherwise.
- **ABSENT A WRITTEN SIGNED AGREEMENT, EXCEPT AS PROVIDED IN THE RELEVANT TERMS AND CONDITIONS OF SALE FOR PRODUCT, AND TO THE MAXIMUM EXTENT ALLOWABLE BY LAW, TOSHIBA (1) ASSUMES NO LIABILITY WHATSOEVER, INCLUDING WITHOUT LIMITATION, INDIRECT, CONSEQUENTIAL, SPECIAL, OR INCIDENTAL DAMAGES OR LOSS, INCLUDING WITHOUT LIMITATION, LOSS OF PROFITS, LOSS OF OPPORTUNITIES, BUSINESS INTERRUPTION AND LOSS OF DATA, AND (2) DISCLAIMS ANY AND ALL EXPRESS OR IMPLIED WARRANTIES AND CONDITIONS RELATED TO SALE, USE OF PRODUCT, OR INFORMATION, INCLUDING WARRANTIES OR CONDITIONS OF MERCHANTABILITY, FITNESS FOR A PARTICULAR PURPOSE, ACCURACY OF INFORMATION, OR NONINFRINGEMENT.**
- Do not use or otherwise make available Product or related software or technology for any military purposes, including without limitation, for the design, development, use, stockpiling or manufacturing of nuclear, chemical, or biological weapons or missile technology products (mass destruction weapons). Product and related software and technology may be controlled under the applicable export laws and regulations including, without limitation, the Japanese Foreign Exchange and Foreign Trade Law and the U.S. Export Administration Regulations. Export and re-export of Product or related software or technology are strictly prohibited except in compliance with all applicable export laws and regulations.
- Please contact your TOSHIBA sales representative for details as to environmental matters such as the RoHS compatibility of Product. Please use Product in compliance with all applicable laws and regulations that regulate the inclusion or use of controlled substances, including without limitation, the EU RoHS Directive. **TOSHIBA ASSUMES NO LIABILITY FOR DAMAGES OR LOSSES OCCURRING AS A RESULT OF NONCOMPLIANCE WITH APPLICABLE LAWS AND REGULATIONS.**
-

TOSHIBA ELECTRONIC DEVICES & STORAGE CORPORATION

<https://toshiba.semicon-storage.com/>