

Circuit proposal using Thermoflagger™ (Over temperature detection IC) TCTH0 series and PTC thermistors

Description

Toshiba Thermoflagger™ Over-Temperature Detection ICs offer a new approach to detecting and protecting against abnormal heat generation. Thermoflagger™ is designed to be connected in series with PTC Thermistors placed near heat sources.

This document describes an applied circuit proposal using Thermoflagger™ and PTC thermistors (POSISTOR) of Murata Manufacturing Co., Ltd. (hereinafter referred to as Murata Manufacturing) .

Note1: Thermoflagger™ is a trademark of Toshiba Electronic Devices & Storage Corporation.

Note2: POSISTOR is a trademark of Murata Manufacturing Co., Ltd..

Table of Contents

Description	1
Table of Contents.....	2
1. Introduction	4
2. What is Thermoflagger™?.....	4
3. TCTH0 series Overview	4
4. Murata Manufacturing PTC thermistor (POSISTOR)	5
5. Simulation of TCTH02xxE and PRF18BC471QB5RB	6
5.1. Products used for simulation	6
5.1.1. PTC thermistor (POSISTOR): PRF18BC471QB5RB	6
5.1.2. Thermoflagger™: TCTH02xxE	6
5.2. Combining TCTH02xxE and 1 pc PRF18BC471QB5RB	7
5.3. Combining TCTH02xxE and 10 pc PRF18BC471QB5RB	8
5.3.1. Ex. 1) Ambient temperature $T_a = 25\text{ °C}$	8
5.3.2. Ex. 2) Ambient temperature $T_a = 50\text{ °C}$	9
5.4. TCTH02xxE and PRF18BC471QB5RB Combinatorial Simulation-Results List	10
6. Thermoflagger™ Applications	11
7. Notes on Contents	12
7.1. PTC thermistor (POSISTOR).....	12
7.2. Simulation details.....	12
7.3. Capacitor for power supply terminal	12
7.4. GND pin	12
7.5. PTCO pin	12
7.6. Design Considerations.....	12
7.7. Precautions for layout	12
7.8. Others	12
8. Summary	13
RESTRICTIONS ON PRODUCT USE	14

List of Figures

Figure 2-1	Over temperature protection solution using Thermoflagger™ with PTC thermistor.....	4
Figure 3-1	Block diagram of TCTH0 series and Application circuit.....	4
Figure 4-1	PTC Thermistor for Overheat Detection (POSISTOR) at Murata Manufacturing Co., Ltd.....	5
Figure 5-1	PRF18BC471QB5RB main characteristics.....	6
Figure 5-2	Application circuit diagram	7
Figure 5-3	Simulation result.....	7
Figure 5-4	Application circuit diagram	8
Figure 5-5	Simulation result.....	8
Figure 5-6	Application circuit diagram	9
Figure 5-7	Simulation result.....	9
Figure 6-1	Notebook PC Application example	11
Figure 6-2	Hand drills, Robotic vacuum cleaner, and Printers Application example	11

List of Tables

Table 4-1	Selection table for Thermoflagger™ and Murata Manufacturing PTC thermistors (POSISTOR)5	
Table 5-1	TCTH02xxE main characteristics.....	6
Table 5-2	Overheat detection temperature-simulation for TCTH02xxE and PRF18BC471QB5RB.....	10

1. Introduction

This document describes a circuit using Thermoflagger™ TCTH0 series and PTC thermistors. For more information on Thermoflagger™, please refer to our product page. For PTC Thermistor, please refer to Murata Manufacturing product page.

2. What is Thermoflagger™?

A Thermoflagger™ is an IC that can detect a rise in the temperature of electronic equipment when combined with a PTC thermistor. This solution is simple and easy to create. The resistance of PTC thermistors is almost constant near room temperature. However, the resistance rises rapidly when the temperature rises above the detected temperature, and it is used to protect against overheating. Thermoflagger™ detects changes in the resistance value of a PTC thermistor and outputs FLAG signal when a PTC thermistor is overheated. It is possible to detect the temperature at any location in the electronic circuit by several PTC thermistors in series. If you want to change the trigger temperature to detect in each location, you can easily achieve by changing the PTC thermistor.

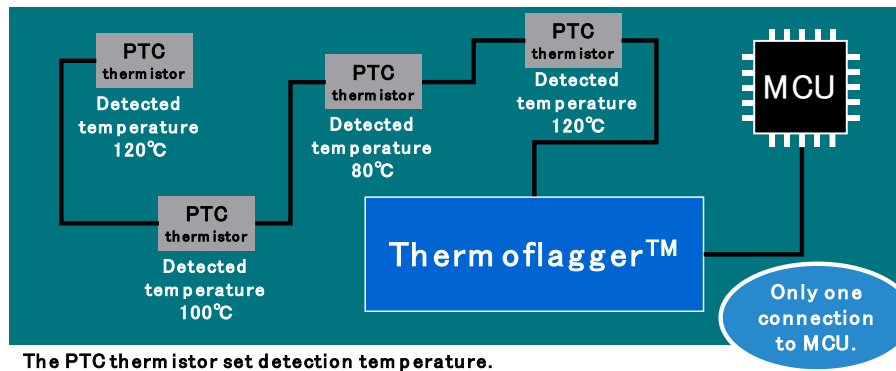


Figure 2-1 Over temperature protection solution using Thermoflagger™ with PTC thermistor

3. TCTH0 series Overview

The following figure shows a block diagram of Thermoflagger™ TCTH0 series. This IC has functions of constant-current, reference-voltage, and comparator. Connect the PTC thermistor(s) to PTCO terminal. This IC outputs a constant-current I_{PTCO} from PTCO terminal and converts to voltage with connected PTC thermistor resistor.

The PTC thermistor heats up, PTCO voltage (V_{PTCO}) rises. When V_{PTCO} exceeds the detection voltage (V_{DET}), "Low" is output from PTCGOOD by the internal comparator.

For more information about the product, refer to our product page or the "Thermoflagger™ (Over temperature detection IC) TCTH0 series Application Notes".

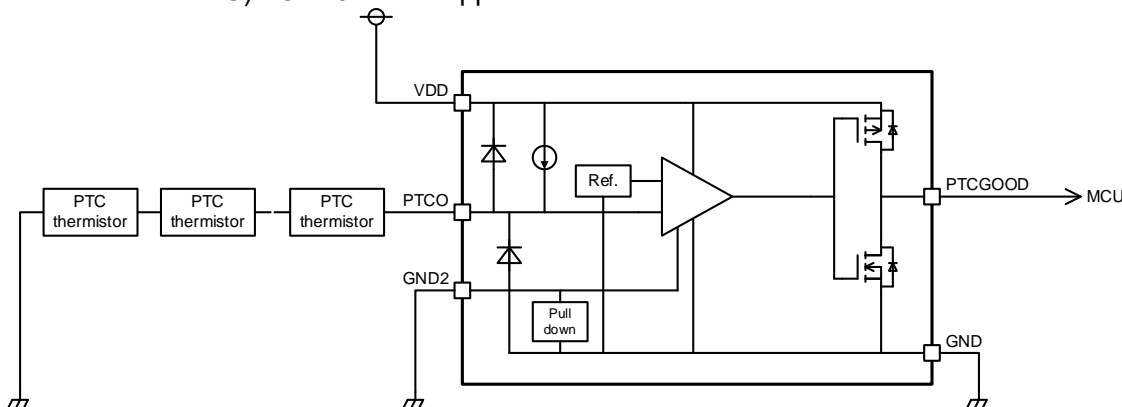


Figure 3-1 Block diagram of TCTH0 series and Application circuit

4. Murata Manufacturing PTC thermistor (POSISTOR)

This document describes the applications of Thermoflagger™ and Murata Manufacturing PTC Thermistor (POSISTOR).

Murata Manufacturing has PRF series as the PTC thermistor for overheat sensing. A wide variety of PTC thermistors are available in accordance with their size/detection temperature.



Figure 4-1 PTC Thermistor for Overheat Detection (POSISTOR) at Murata Manufacturing Co., Ltd.

[Click](#)

The following table shows the selection table for Thermoflagger™ and Murata Manufacturing PTC thermistors (POSISTOR). The detection temperature can be set by selecting the product number of the PTC thermistors (POSISTOR). The detection temperature depends on the using conditions, so please verify thoroughly before use.

Table 4-1 Selection table for Thermoflagger™ and Murata Manufacturing PTC thermistors (POSISTOR)

Thermoflagger™ Product name	Murata Manufacturing POSISTOR product name	Overheat detection temperature (Reference)
TCTH021AE TCTH022AE TCTH021BE TCTH022BE	PRF18AR471QB5RB	150 °C
	PRF18BA471QB5RB	140 °C
	PRF18BB471QB5RB	130 °C
	PRF18BC471QB5RB	120 °C
	PRF18BD471QB5RB	110 °C
	PRF18BE471QB5RB	100 °C
	PRF18BF471QB5RB	90 °C
	PRF18BG471QB5RB	80 °C
	PRF15BA102RB6RC	136 °C
	PRF15BB102RB6RC	126 °C
	PRF15BC102RB6RC	116 °C
	PRF15BD102RB6RC	106 °C
	PRF03BB541NB7RL	135 °C
TCTH011AE TCTH012AE TCTH011BE TCTH012BE	PRF15BB103RB6RC	122 °C

This document shows the simulation on over temperature detection using TCTH02xxE and Murata Manufacturing PTC thermistor: PRF18BC471QB5RB.

5. Simulation of TCTH02xxE and PRF18BC471QB5RB

5.1. Products used for simulation

The detection temperature varies depending on V_{DET} , I_{PTCO} variation of Thermoflagger™ and the resistance variation of PTC thermistor. The following shows the variations in detection when Thermoflagger™ and Murata Manufacturing PTC thermistor (POSISTOR) are combined.

5.1.1. PTC thermistor (POSISTOR): PRF18BC471QB5RB

The following figure shows PRF18BC471QB5RB characteristics.
Refer to Murata Manufacturing product page for detailed characteristics.

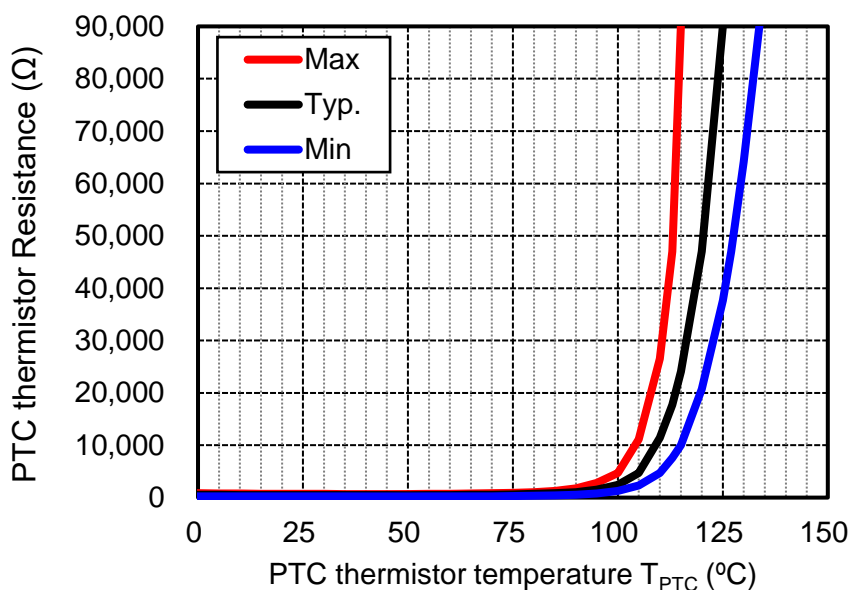


Figure 5-1 PRF18BC471QB5RB main characteristics

5.1.2. Thermoflagger™: TCTH02xxE

The following table shows TCTH02xxE characteristics.
Please refer to our product page for detailed characteristics.

[Click](#)

Table 5-1 TCTH02xxE main characteristics

Characteristics	symbol	Test condition	$T_j = 25\text{ °C}$			$T_j = -40\text{ to }125\text{ °C}$		Unit
			Min	Typ.	Max	Min	Max	
PTCO output current	I_{PTCO}	TCTH02xxE, $V_{DD} = 1.7\text{ V to }5.5\text{ V}$	8.0	10.0	12.2	7.2	13.2	μA
Detect Voltage	V_{DET}	$V_{DD} = 3.3\text{ V}$	0.42	0.50	0.58	0.36	0.64	V

5.2. Combining TCTH02xxE and 1 pc PRF18BC471QB5RB

The following figure shows a circuit diagram in which single PRF18BC471QB5RB is connected to PTCO terminal of TCTH02xxE, and V_{PTCO} voltage vs PTC thermistor temperature.

The combined overhear detection temperature is $121\text{ }^{\circ}\text{C} \pm 10\text{ }^{\circ}\text{C}$.

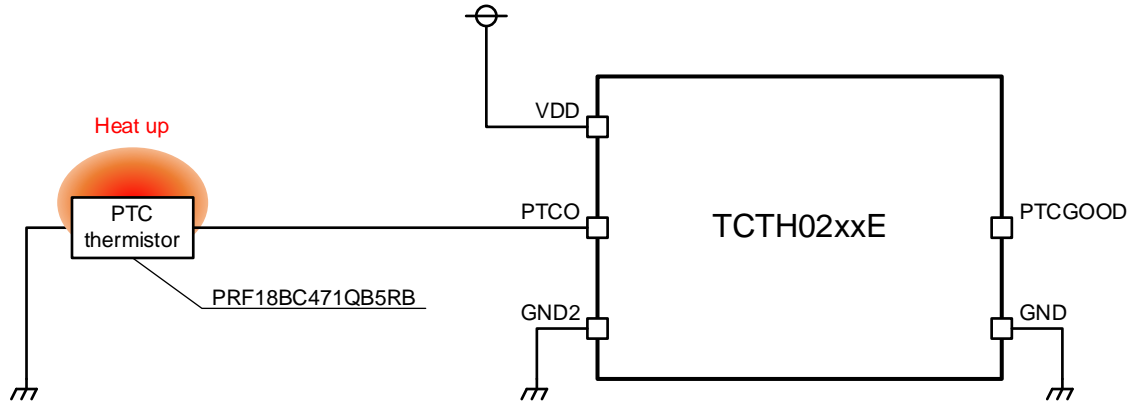


Figure 5-2 Application circuit diagram

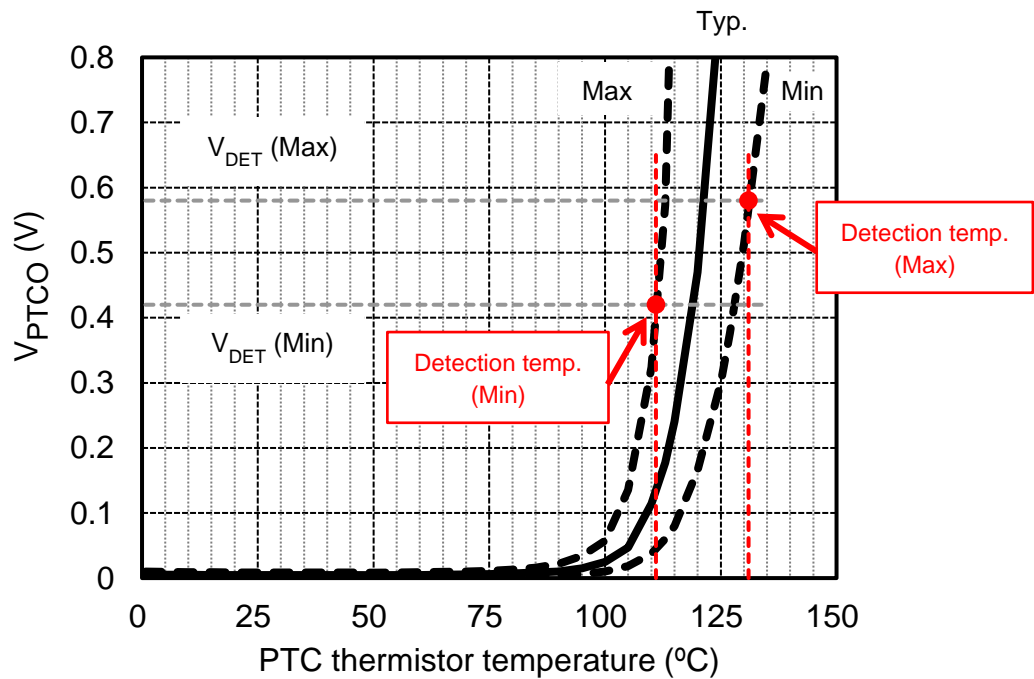


Figure 5-3 Simulation result

5.3. Combining TCTH02xxE and 10 pc PRF18BC471QB5RB

5.3.1. Ex. 1) Ambient temperature $T_a = 25\text{ }^\circ\text{C}$

The following figure shows a circuit diagram in which ten PRF18BC471QB5RB are connected to PTCO terminals of TCTH02xxE. In this circuit, when one of the ten PTC thermistors is overheated at IC and PTC thermistor ambient temperature $T_a = 25\text{ }^\circ\text{C}$, V_{PTCO} voltage vs PTC thermistor temperature change is shown in Fig. 5-5.

The combined overheat detection temperature is $120\text{ }^\circ\text{C} +11\text{ }^\circ\text{C}/-10\text{ }^\circ\text{C}$.

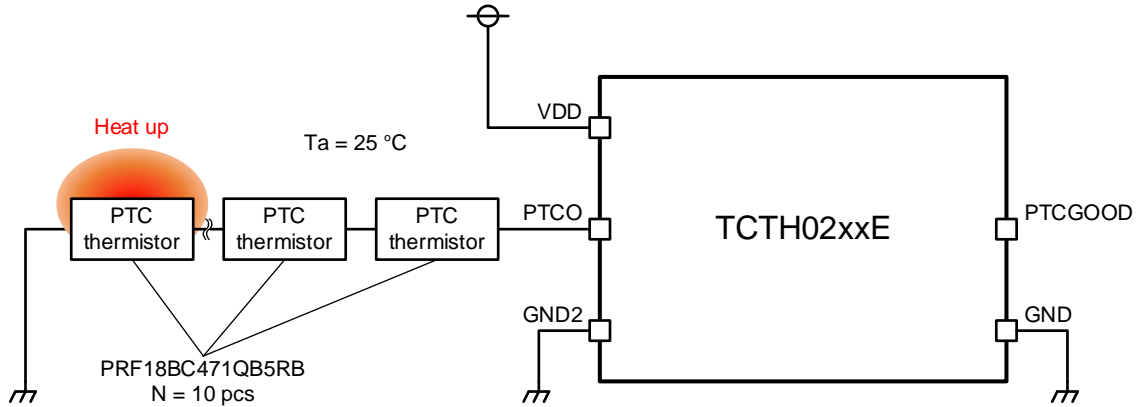


Figure 5-4 Application circuit diagram

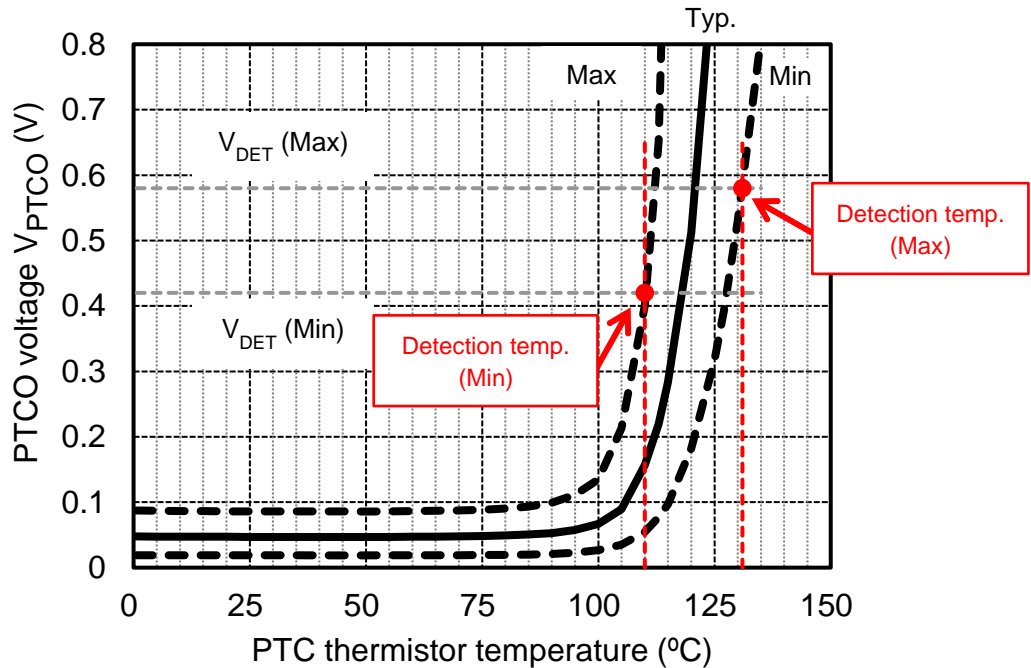


Figure 5-5 Simulation result

5.3.2. Ex. 2) Ambient temperature $T_a = 50\text{ }^\circ\text{C}$

The following figure shows a circuit diagram in which ten PRF18BC471QB5RB are connected to PTCO terminals of TCTH02xxE. In this circuit, when one of the ten PTC thermistors is overheated at the ambient temperature $T_a = 85\text{ }^\circ\text{C}$ of IC and PTC thermistor, V_{PTCO} voltage vs PTC thermistor temperature change is shown in Fig. 5-7.

The combined temperature is $119\text{ }^\circ\text{C} + 14\text{ }^\circ\text{C}/-12\text{ }^\circ\text{C}$.

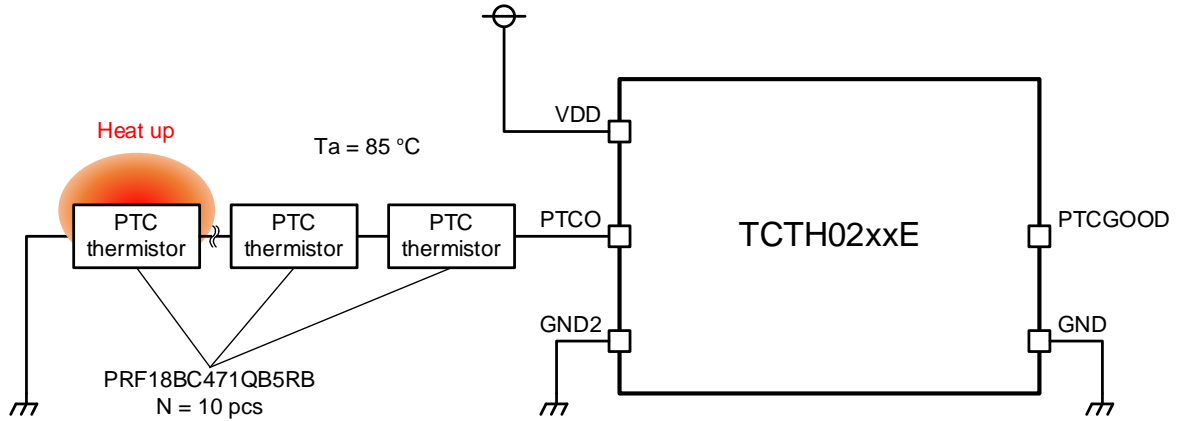


Figure 5-6 Application circuit diagram

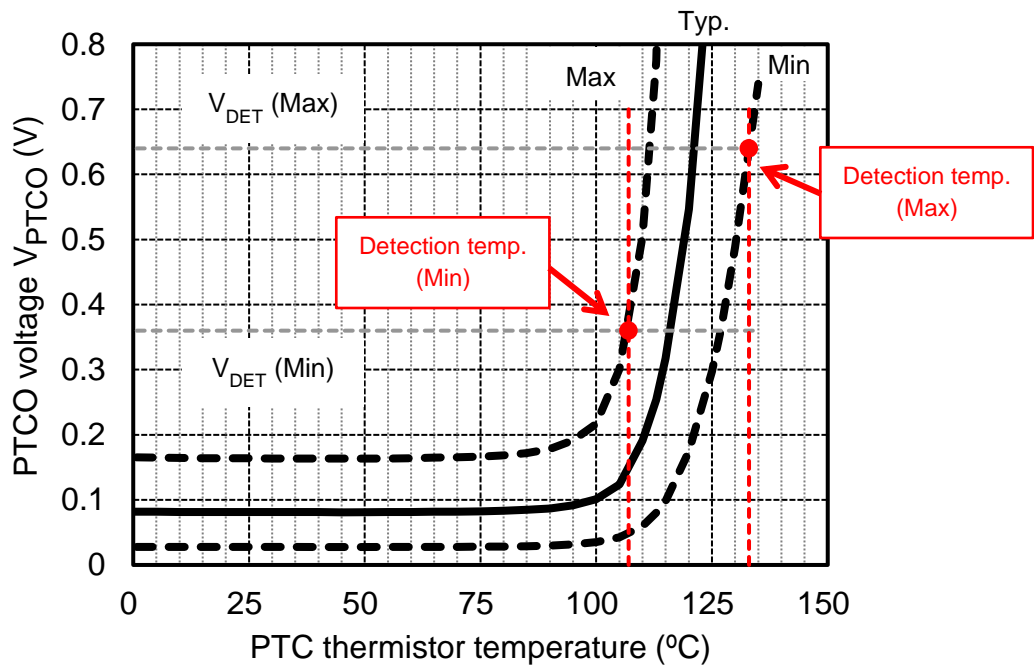


Figure 5-7 Simulation result

5.4. TCTH02xxE and PRF18BC471QB5RB Combinatorial Simulation-Results List

For TCTH02xxE and PRF18BC471QB5RB applications, the sensed temperatures are listed in Table 5-2. The overheat detection temperature varies depending on how many PTC thermistors are connected and the ambient temperature of IC and PTC thermistor(s).

Table 5-2 Overheat detection temperature-simulation for TCTH02xxE and PRF18BC471QB5RB

		Ambient temperature (Ta)								
		25 °C			50 °C			85 °C		
		Min	Typ.	Max	Min	Typ.	Max	Min	Typ.	Max
Connected PTC thermistor quantity (pcs)	1	111 °C	120 °C	131 °C	110 °C	120 °C	134 °C	110 °C	120 °C	134 °C
	5	111 °C	120 °C	131 °C	110 °C	120 °C	133 °C	109 °C	120 °C	134 °C
	10	110 °C	120 °C	131 °C	109 °C	120 °C	133 °C	107 °C	119 °C	133 °C
	15	110 °C	119 °C	131 °C	108 °C	119 °C	133 °C	104 °C	118 °C	133 °C

6. Thermoflagger™ Applications

The following are application examples.

Thermal protection solutions using Thermoflagger™, and PTC thermistors are suitable around power supply circuitry in consumer and industrial equipment. Place PTC thermistors near MOSFETs or other heat sources.

(1) Notebook PC, etc.

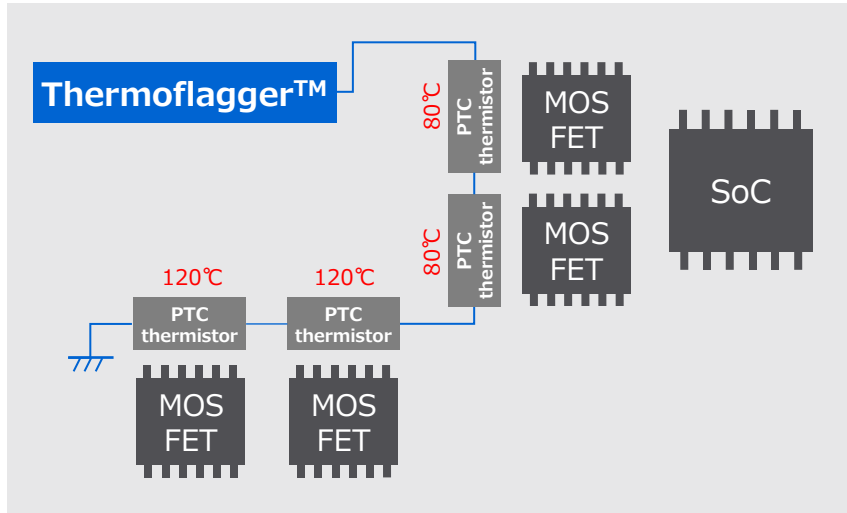


Figure 6-1 Notebook PC Application example

(2) Hand drills, Robotic vacuum cleaners, Printers, etc.

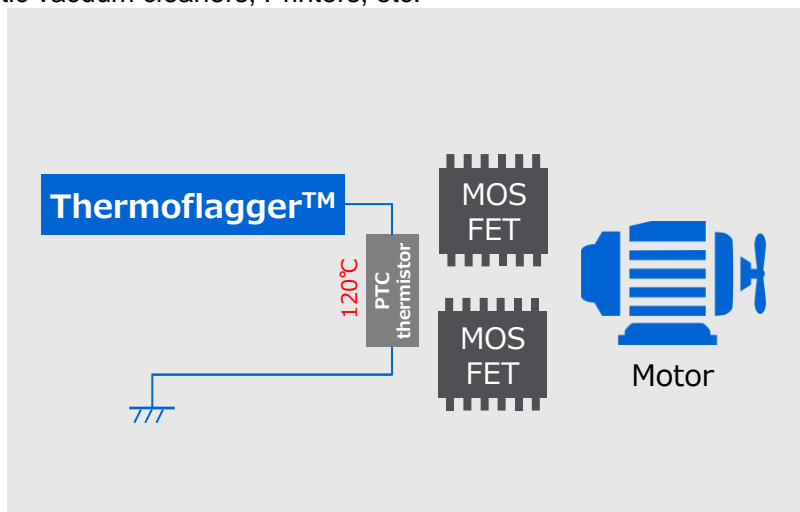


Figure 6-2 Hand drills, Robotic vacuum cleaner, and Printers Application example

7. Notes on Contents

7.1. PTC thermistor (POSISTOR)

Contact Murata Manufacturing for any inquiries regarding PTC Thermistor (POSISTOR) in this document.

7.2. Simulation details

The contents described in this document are simulation results. It is recommended that this device be fully verified before use.

7.3. Capacitor for power supply terminal

For stable Thermoflagger™ operation, connect a capacitor between VDD and GND as close to the IC.

7.4. GND pin

All GND pins must be connected to the system GND.

7.5. PTCO pin

Do not apply a voltage exceeding 1 V from outside.

7.6. Design Considerations

If the system noise is very high, the internal comparator inside the IC may detect false positives. Before using the product, design it with sufficient consideration.

7.7. Precautions for layout

We recommend designing the board that PTC thermistor and Thermoflagger™ are sufficiently far from each other to prevent heat generation from being transmitted to Thermoflagger™.

7.8. Others

When using this device, please read through and understand the concepts described and follow absolute maximum ratings from the information datasheet or from our 'Semiconductor Reliability Handbook'. Please operate these products below absolute maximum ratings in all instances. Furthermore, Toshiba highly recommends inserting failsafe systems into the design.

8. Summary

So far, Thermoflagger™ and Murata's PTC Thermistor (POSISTOR) have been used to explain the applications.

If the temperature of electronic equipment becomes higher than expected, it may be a major issue in terms of reliability and safety. Thermoflagger™ with a PTC thermistor can be combined to easily build an overheating monitoring solution. We use Murata's technical data to propose an overheat monitoring solution that combines Murata's POSISTOR with Thermoflagger™.

We are pleased to refer to this document and use Thermoflagger™ to realize the overheat detection function easily. We intend to expand our lineup to include a wider range of selections to match the specifications of the equipment you are using, so we would like you to hear the loyalty of our Thermoflagger™.

- Product lineup (catalog) [Click](#)
- Product lineup (parametric search) [Click](#)
- Online distributor purchase, inventory search [Buy Online](#)
- Application Notes [Click](#)
- Murata Manufacturing's PTC Thermistor (POSISTOR) [Click](#)

RESTRICTIONS ON PRODUCT USE

Toshiba Corporation and its subsidiaries and affiliates are collectively referred to as "TOSHIBA".
Hardware, software and systems described in this document are collectively referred to as "Product".

- TOSHIBA reserves the right to make changes to the information in this document and related Product without notice.
- This document and any information herein may not be reproduced without prior written permission from TOSHIBA. Even with TOSHIBA's written permission, reproduction is permissible only if reproduction is without alteration/omission.
- Though TOSHIBA works continually to improve Product's quality and reliability, Product can malfunction or fail. Customers are responsible for complying with safety standards and for providing adequate designs and safeguards for their hardware, software and systems which minimize risk and avoid situations in which a malfunction or failure of Product could cause loss of human life, bodily injury or damage to property, including data loss or corruption. Before customers use the Product, create designs including the Product, or incorporate the Product into their own applications, customers must also refer to and comply with (a) the latest versions of all relevant TOSHIBA information, including without limitation, this document, the specifications, the data sheets and application notes for Product and the precautions and conditions set forth in the "TOSHIBA Semiconductor Reliability Handbook" and (b) the instructions for the application with which the Product will be used with or for. Customers are solely responsible for all aspects of their own product design or applications, including but not limited to (a) determining the appropriateness of the use of this Product in such design or applications; (b) evaluating and determining the applicability of any information contained in this document, or in charts, diagrams, programs, algorithms, sample application circuits, or any other referenced documents; and (c) validating all operating parameters for such designs and applications. **TOSHIBA ASSUMES NO LIABILITY FOR CUSTOMERS' PRODUCT DESIGN OR APPLICATIONS.**
- **PRODUCT IS NEITHER INTENDED NOR WARRANTED FOR USE IN EQUIPMENTS OR SYSTEMS THAT REQUIRE EXTRAORDINARILY HIGH LEVELS OF QUALITY AND/OR RELIABILITY, AND/OR A MALFUNCTION OR FAILURE OF WHICH MAY CAUSE LOSS OF HUMAN LIFE, BODILY INJURY, SERIOUS PROPERTY DAMAGE AND/OR SERIOUS PUBLIC IMPACT ("UNINTENDED USE").** Except for specific applications as expressly stated in this document, Unintended Use includes, without limitation, equipment used in nuclear facilities, equipment used in the aerospace industry, lifesaving and/or life supporting medical equipment, equipment used for automobiles, trains, ships and other transportation, traffic signaling equipment, equipment used to control combustions or explosions, safety devices, elevators and escalators, and devices related to power plant. **IF YOU USE PRODUCT FOR UNINTENDED USE, TOSHIBA ASSUMES NO LIABILITY FOR PRODUCT.** For details, please contact your TOSHIBA sales representative or contact us via our website.
- Do not disassemble, analyze, reverse-engineer, alter, modify, translate or copy Product, whether in whole or in part.
- Product shall not be used for or incorporated into any products or systems whose manufacture, use, or sale is prohibited under any applicable laws or regulations.
- The information contained herein is presented only as guidance for Product use. No responsibility is assumed by TOSHIBA for any infringement of patents or any other intellectual property rights of third parties that may result from the use of Product. No license to any intellectual property right is granted by this document, whether express or implied, by estoppel or otherwise.
- **ABSENT A WRITTEN SIGNED AGREEMENT, EXCEPT AS PROVIDED IN THE RELEVANT TERMS AND CONDITIONS OF SALE FOR PRODUCT, AND TO THE MAXIMUM EXTENT ALLOWABLE BY LAW, TOSHIBA (1) ASSUMES NO LIABILITY WHATSOEVER, INCLUDING WITHOUT LIMITATION, INDIRECT, CONSEQUENTIAL, SPECIAL, OR INCIDENTAL DAMAGES OR LOSS, INCLUDING WITHOUT LIMITATION, LOSS OF PROFITS, LOSS OF OPPORTUNITIES, BUSINESS INTERRUPTION AND LOSS OF DATA, AND (2) DISCLAIMS ANY AND ALL EXPRESS OR IMPLIED WARRANTIES AND CONDITIONS RELATED TO SALE, USE OF PRODUCT, OR INFORMATION, INCLUDING WARRANTIES OR CONDITIONS OF MERCHANTABILITY, FITNESS FOR A PARTICULAR PURPOSE, ACCURACY OF INFORMATION, OR NONINFRINGEMENT.**
- Do not use or otherwise make available Product or related software or technology for any military purposes, including without limitation, for the design, development, use, stockpiling or manufacturing of nuclear, chemical, or biological weapons or missile technology products (mass destruction weapons). Product and related software and technology may be controlled under the applicable export laws and regulations including, without limitation, the Japanese Foreign Exchange and Foreign Trade Law and the U.S. Export Administration Regulations. Export and re-export of Product or related software or technology are strictly prohibited except in compliance with all applicable export laws and regulations.
- Please contact your TOSHIBA sales representative for details as to environmental matters such as the RoHS compatibility of Product. Please use Product in compliance with all applicable laws and regulations that regulate the inclusion or use of controlled substances, including without limitation, the EU RoHS Directive. **TOSHIBA ASSUMES NO LIABILITY FOR DAMAGES OR LOSSES OCCURRING AS A RESULT OF NONCOMPLIANCE WITH APPLICABLE LAWS AND REGULATIONS.**