

TOSHIBA

TOSHIBA Original CMOS 8-Bit Microcontroller

TLCS-870 Series

TMP87CM23AFG

TMP87CP23FG

Not Recommended
for New Design

TOSHIBA CORPORATION

Semiconductor Company

Document Change Notification

The purpose of this notification is to inform customers about the launch of the Pb-free version of the device. The introduction of a Pb-free replacement affects the datasheet. Please understand that this notification is intended as a temporary substitute for a revision of the datasheet.

Changes to the datasheet may include the following, though not all of them may apply to this particular device.

1. Part number

Example: TMPxxxxxF TMPxxxxxFG

All references to the previous part number were left unchanged in body text. The new part number is indicated on the prelims pages (cover page and this notification).

2. Package code and package dimensions

Example: LQFP100-P-1414-0.50C LQFP100-P-1414-0.50F

All references to the previous package code and package dimensions were left unchanged in body text. The new ones are indicated on the prelims pages.

3. Addition of notes on lead solderability

Now that the device is Pb-free, notes on lead solderability have been added.

4. RESTRICTIONS ON PRODUCT USE

The previous (obsolete) provision might be left unchanged on page 1 of body text. A new replacement is included on the next page.

5. Publication date of the datasheet

The publication date at the lower right corner of the prelims pages applies to the new device.

1. Part number
2. Package code and dimensions

Previous Part Number (in Body Text)	Previous Package Code (in Body Text)	New Part Number	New Package Code	OTP
TMP87CM23AF	P-QFP100-1420-0.65A	TMP87CM23AFG	QFP100-P-1420-0.65Q	TMP87PP23FG
TMP87CP23F	P-QFP100-1420-0.65A	TMP87CP23FG	QFP100-P-1420-0.65Q	TMP87PP23FG

*: For the dimensions of the new package, see the attached Package Dimensions diagram.

3. Addition of notes on lead solderability

The following solderability test is conducted on the new device.

Lead solderability of Pb-free devices (with the G suffix)

Test	Test Conditions	Remark
Solderability	(1) Use of Lead (Pb) ·solder bath temperature = 230°C ·dipping time = 5 seconds ·the number of times = once ·use of R-type flux (2) Use of Lead (Pb)-Free ·solder bath temperature = 245°C ·dipping time = 5 seconds ·the number of times = once ·use of R-type flux	Leads with over 95% solder coverage till lead forming are acceptable.

4. RESTRICTIONS ON PRODUCT USE

The following replaces the “RESTRICTIONS ON PRODUCT USE” on page 1 of body text.

RESTRICTIONS ON PRODUCT USE

20070701-EN

- The information contained herein is subject to change without notice.
- TOSHIBA is continually working to improve the quality and reliability of its products. Nevertheless, semiconductor devices in general can malfunction or fail due to their inherent electrical sensitivity and vulnerability to physical stress. It is the responsibility of the buyer, when utilizing TOSHIBA products, to comply with the standards of safety in making a safe design for the entire system, and to avoid situations in which a malfunction or failure of such TOSHIBA products could cause loss of human life, bodily injury or damage to property. In developing your designs, please ensure that TOSHIBA products are used within specified operating ranges as set forth in the most recent TOSHIBA products specifications. Also, please keep in mind the precautions and conditions set forth in the “Handling Guide for Semiconductor Devices,” or “TOSHIBA Semiconductor Reliability Handbook” etc.
- The TOSHIBA products listed in this document are intended for usage in general electronics applications (computer, personal equipment, office equipment, measuring equipment, industrial robotics, domestic appliances, etc.). These TOSHIBA products are neither intended nor warranted for usage in equipment that requires extraordinarily high quality and/or reliability or a malfunction or failure of which may cause loss of human life or bodily injury (“Unintended Usage”). Unintended Usage include atomic energy control instruments, airplane or spaceship instruments, transportation instruments, traffic signal instruments, combustion control instruments, medical instruments, all types of safety devices, etc.. Unintended Usage of TOSHIBA products listed in this document shall be made at the customer’s own risk.
- The products described in this document shall not be used or embedded to any downstream products of which manufacture, use and/or sale are prohibited under any applicable laws and regulations.
- The information contained herein is presented only as a guide for the applications of our products. No responsibility is assumed by TOSHIBA for any infringements of patents or other rights of the third parties which may result from its use. No license is granted by implication or otherwise under any patents or other rights of TOSHIBA or the third parties.
- Please contact your sales representative for product-by-product details in this document regarding RoHS compatibility. Please use these products in this document in compliance with all applicable laws and regulations that regulate the inclusion or use of controlled substances. Toshiba assumes no liability for damage or losses occurring as a result of noncompliance with applicable laws and regulations.
- For a discussion of how the reliability of microcontrollers can be predicted, please refer to Section 1.3 of the chapter entitled Quality and Reliability Assurance/Handling Precautions.

5. Publication date of the datasheet

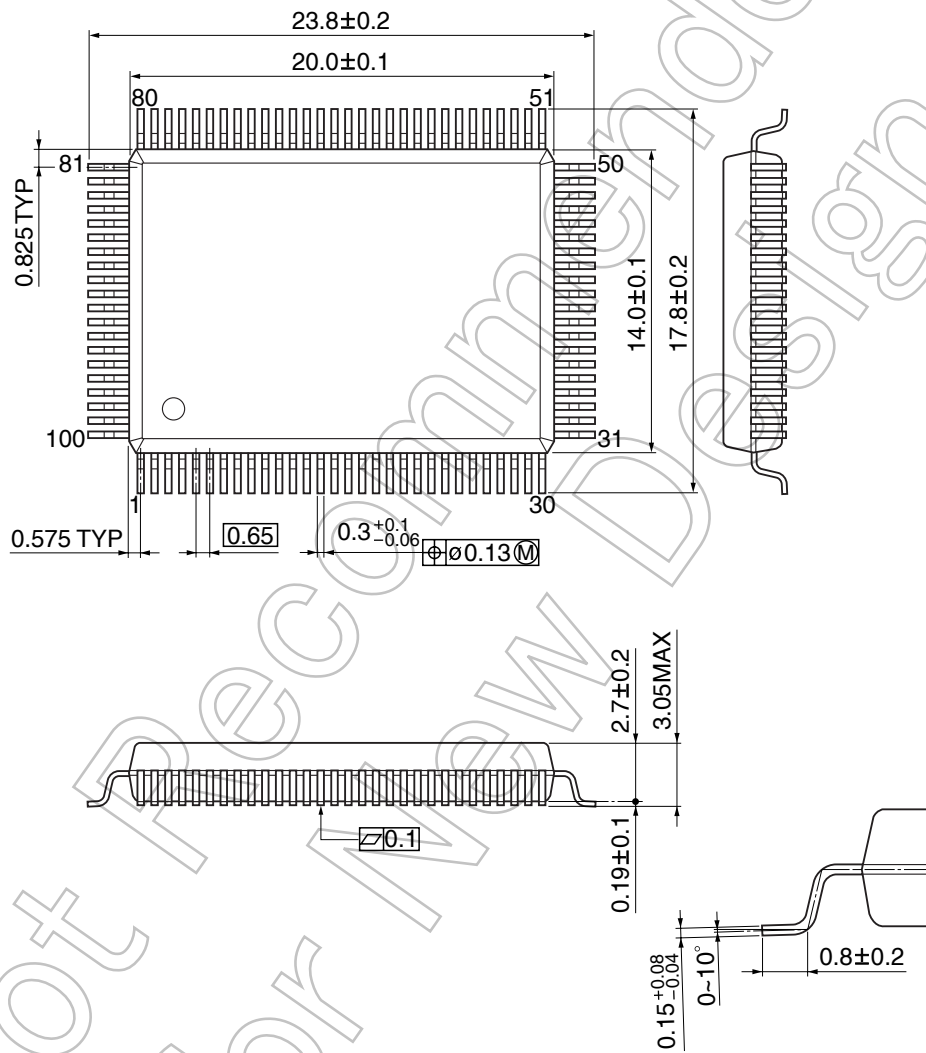
The publication date of this datasheet is printed at the lower right corner of this notification.

(Annex)

Package Dimensions

QFP100-P-1420-0.65Q

Unit: mm



CMOS 8-Bit Microcontroller

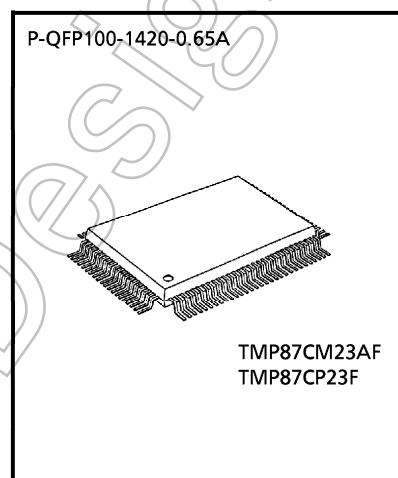
TMP87CM23AF, TMP87CP23F

The TMP87CM23A/CP23 are the high speed and high performance 8-bit single chip microcomputers. These MCU contain, large ROM, RAM, input/output ports, LCD driver, a 8-bit AD converter, four multi-function timer/counters, two serial interfaces, and two clock generators on chip.

Product No.	ROM	RAM	Package	OTP MCU
TMP87CM23AF	32 K × 8-bit	1 K × 8-bit	P-QFP100-1420-0.65A	TMP87PP23F
TMP87CP23F	48 K × 8-bit	2 K × 8-bit		

Features

- ◆ 8-bit single chip microcomputer TLCS-870 Series
- ◆ Instruction execution time: 0.5 μ s (at 8 MHz), 122 μ s (at 32.768 kHz)
- ◆ 129 types and 412 basic instructions
 - Multiplication and Division (8 bits × 8 bits, 16 bits ÷ 8 bits): Execution time 3.5 μ s (at 8 MHz)
 - Bit manipulations (Set/Clear/Complement/Load/Store/Test/Exclusive OR)
 - 16-bit data operations
 - 1-byte jump/call (Short relative jump/Vector call)
- ◆ 14 interrupt sources (External: 5, Internal: 9)
 - All sources have independent latches each, and nested interrupt control is available
 - 4 edge-selectable external interrupts with noise reject
 - High-speed task switching by register bank changeover
- ◆ 10 Input/Output ports (Max. 70 pins)
- ◆ Two 16-bit Timer/Counters
 - Timer, Event counter, External trigger timer, Window, PPG output
 - Pulse width measurement modes
- ◆ Two 8-bit Timer/Counters
 - Timer, Event counter, Capture (Pulse width/duty measurement), PWM output, PDO modes
- ◆ Time Base Timer (Interrupt frequency: 1 Hz to 16384 Hz)
- ◆ Divider output function (frequency: 1 kHz to 8 kHz)
- ◆ Watchdog Timer
- ◆ Two 8-bit Serial Interfaces
 - Each 8 bytes transmit/receive data buffer
 - Internal/external serial clock, and 4/8-bit mode



000707EBP1

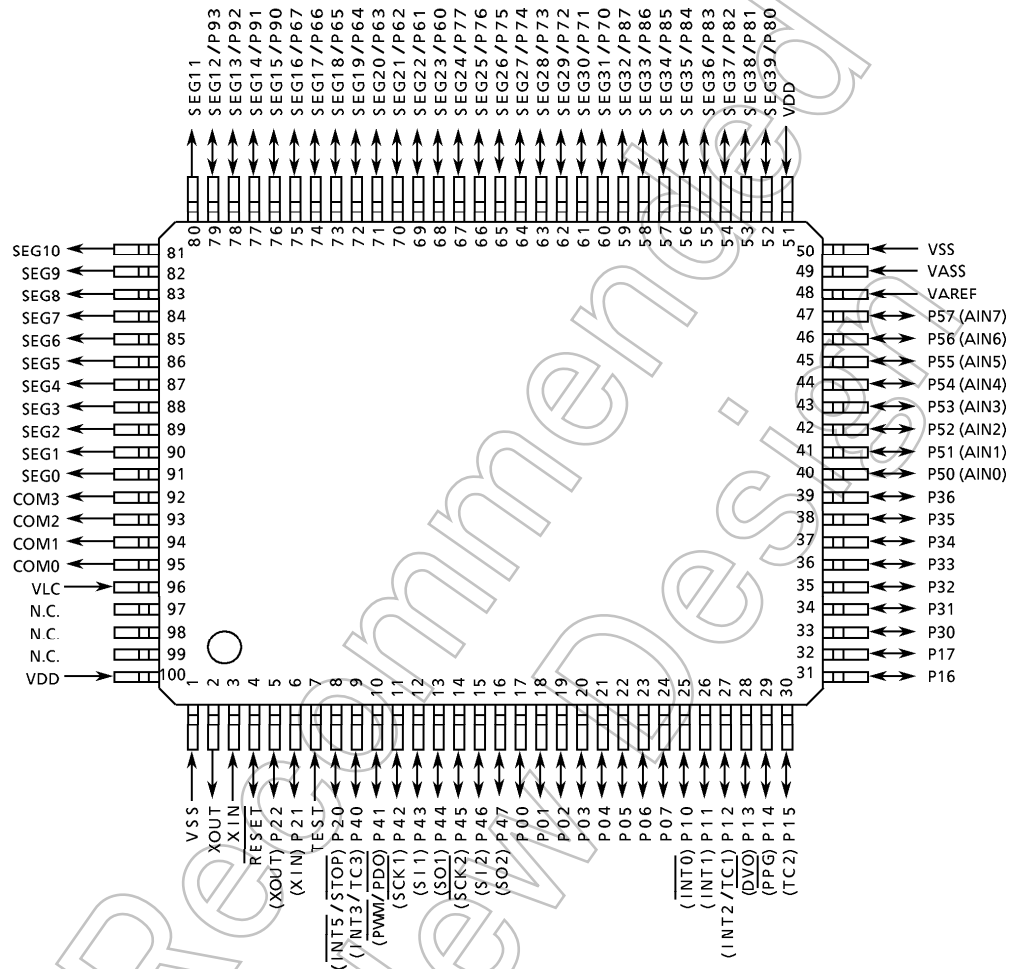
- For a discussion of how the reliability of microcontrollers can be predicted, please refer to Section 1.3 of the chapter entitled Quality and Reliability Assurance / Handling Precautions.
- TOSHIBA is continually working to improve the quality and reliability of its products. Nevertheless, semiconductor devices in general can malfunction or fail due to their inherent electrical sensitivity and vulnerability to physical stress. It is the responsibility of the buyer, when utilizing TOSHIBA products, to comply with the standards of safety in making a safe design for the entire system, and to avoid situations in which a malfunction or failure of such TOSHIBA products could cause loss of human life, bodily injury or damage to property. In developing your designs, please ensure that TOSHIBA products are used within specified operating ranges as set forth in the most recent TOSHIBA products specifications. Also, please keep in mind the precautions and conditions set forth in the "Handling Guide for Semiconductor Devices," or "TOSHIBA Semiconductor Reliability Handbook" etc..
- The TOSHIBA products listed in this document are intended for usage in general electronics applications (computer, personal equipment, office equipment, measuring equipment, industrial robotics, domestic appliances, etc.). These TOSHIBA products are neither intended nor warranted for usage in equipment that requires extraordinarily high quality and/or reliability or a malfunction or failure of which may cause loss of human life or bodily injury ("Unintended Usage"). Unintended Usage include atomic energy control instruments, airplane or spaceship instruments, transportation instruments, traffic signal instruments, combustion control instruments, medical instruments, all types of safety devices, etc.. Unintended Usage of TOSHIBA products listed in this document shall be made at the customer's own risk.
- The products described in this document are subject to the foreign exchange and foreign trade laws.
- The information contained herein is presented only as a guide for the applications of our products. No responsibility is assumed by TOSHIBA CORPORATION for any infringements of intellectual property or other rights of the third parties which may result from its use. No license is granted by implication or otherwise under any intellectual property or other rights of TOSHIBA CORPORATION or others.
- The information contained herein is subject to change without notice.

- ◆ LCD driver
 - With display memory (20 bytes)
 - LCD direct drive capability (Max. 40 seg × 4 com)
 - 1/4, 1/3, 1/2 duty or static drive are programmably selectable
- ◆ 8-bit successive approximate type AD converter with sample and hold
 - 8 analog inputs
 - Conversion time: 23 μ s / 92 μ s (at 8 MHz)
- ◆ Dual clock operation (optinal)
- ◆ Five Power saving operating modes
 - STOP mode: Oscillation stops. Battery/Capacitor back-up. Port output hold/high-impedance.
 - SLOW mode: Low power consumption operation using low-frequency clock (32.768 kHz).
 - IDLE1 mode: CPU stops, and Peripherals operate using high-frequency clock. Release by interrupts.
 - IDLE2 mode: CPU stops, and Peripherals operate using high and low frequency clock. Release by interrupts.
 - SLEEP mode: CPU stops, and Peripherals operate using low-frequency clock. Release by interrupts.
- ◆ Operating Voltage: 2.7 to 5.5 V at 4.2 MHz / 32.768 kHz, 4.5 to 5.5 V at 8 MHz / 32.768 kHz
- ◆ Emulation Pod: BM87CP23F0A

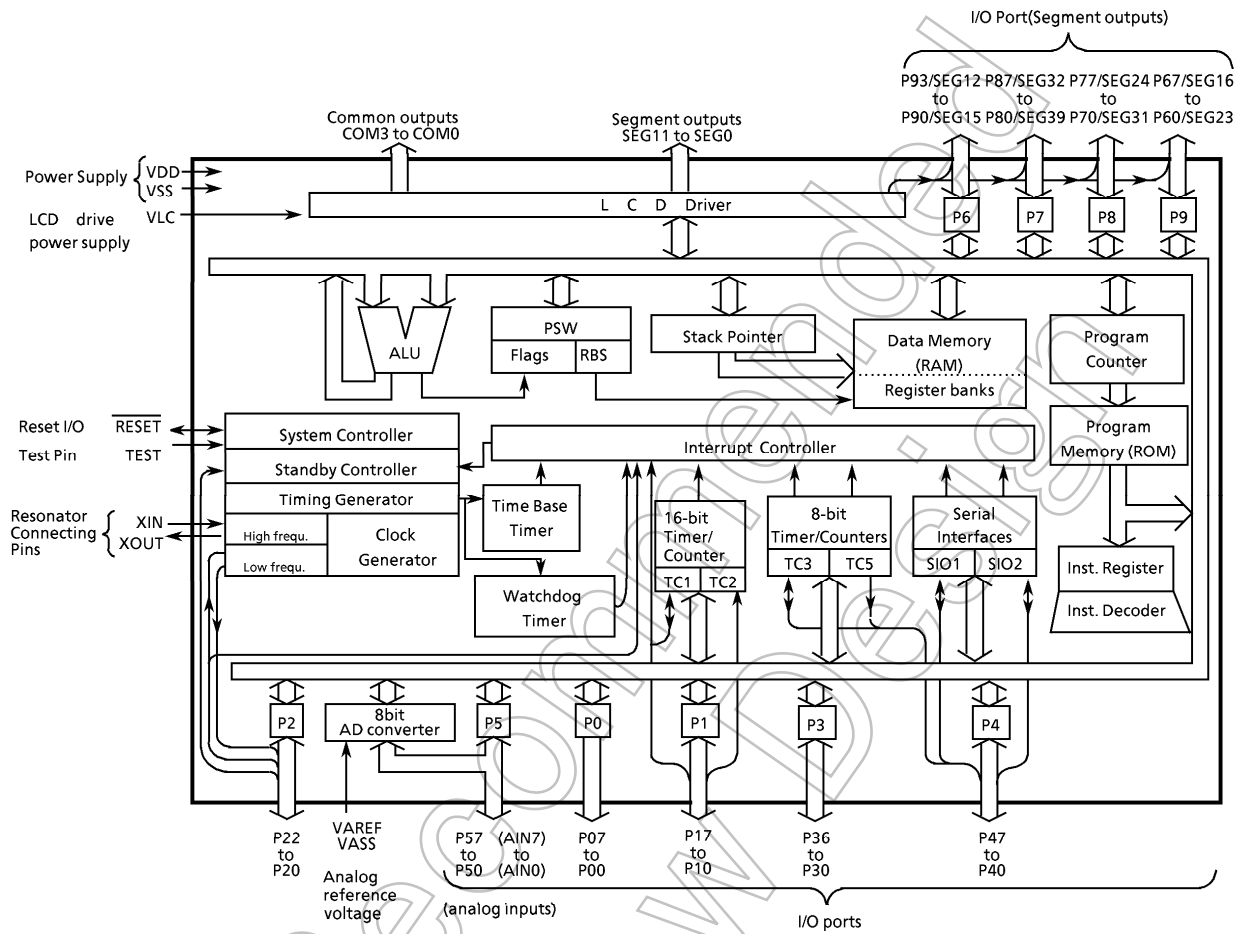
Not Recommended for New Design

Pin Assignments (Top View)

P-QFP100-1420-0.65A



Block Diagram



Not Ready for New

Pin Function

Pin Name	Input / Output	Function		
P07 to P00 P17, P16	I/O	8-bit programmable input/output ports (tri-state).		
P15 (TC2)	I/O (Input)	Each bit of these ports can be individually configured as an input or an output under software control.	Timer/Counter 2 input	
P14 (PPG)	I/O (Output)		Programmable pulse generator output	
P13 (DVO)	I/O (Output)	When used as an input port, timer/counter input or external interrupt input, the P0CR/P1CR must be set to "0". When used as timer/counter output or divider output, the P0CR/P1CR must be set to "1" after setting output latch to "1".	Divider output	
P12 (INT2 / TC1)	I/O (Input)		External interrupt 2 input or Timer/Counter 1 input	
P11 (INT1)	I/O (Input)		External interrupt 1 input	
P10 (INT0)	I/O (Input)		External interrupt 0 input	
P22 (XTOUT)	I/O (Output)	3-bit input/output port with latch.	Resonator connecting pins (32.768kHz). For inputting external clock, XTIN is used and XTOUT is opened.	
P21 (XTIN)	I/O (Input)	When used as an input port, external interrupt input or STOP mode release input, the output latch must be set to "1".		
P20 (INT5/STOP)	I/O (Input)			External interrupt 5 input or STOP mode release signal input
P36 to P30	I/O	7-bit input/output port with latch. When used as input port, the output latch must be set to "1".		
P47 (SO2)	I/O (Output)	8-bit input/output port with latch. When used as serial interface output or timer/counter output, the P4CR1 must be set to "1" after setting output latch to "1". When used as an input port, serial interface input or external interrupt input, the P4CR1 must be set to "0".	SIO2 serial data output	
P46 (S12)	I/O (Input)		SIO2 serial data input	
P45 (SCK2)	I/O (I/O)		SIO2 serial clock input/output	
P44 (SO1)	I/O (Output)		SIO1 serial data output	
P43 (S11)	I/O (Input)		SIO1 serial data input	
P42 (SCK1)	I/O (I/O)		SIO1 serial clock input/output	
P41 (PWM/PDO)	I/O (Output)		8-bit PWM output, 8-bit programmable divider output	
P40 (INT3/TC3)	I/O (Input)		External interrupt 3 input, Timer/Counter 3 input	
P57 (AIN07) to P50 (AIN00)	I/O (Input)		8-bit programmable input/output port (tri-state). Each bit of the port can be individually configured as an input or an output under software control. When used as analog input, the P5CR must be set to "0".	
SEG39 (P80) to SEG32 (P87)	Output (I/O)		8-bit input/output port with latch. When used as an input port, the segment output control register must be set to "0" after setting output latch to "1".	LCD segment outputs. When used as segment output, the segment output control register must be set to "1".
SEG31 (P70) to SEG24 (P77)	Output (I/O)			
SEG23 (P60) to SEG16 (P67)	Output (I/O)			
SEG15 (P90) to SEG12 (P93)	Output (I/O)	4-bit input/output port with latch. When used as an input port, the segment output control register must be set to "1" after setting output latch to "1".		
SEG11 to SEG0	Output	LCD segment outputs		
COM3 to COM0	Output	LCD common outputs		
XIN, XOUT	Input, Output	Resonator connecting pins for high-frequency clock. For inputting external clock, XIN is used and XOUT is opened.		
RESET	I/O	Reset signal input or watchdog timer output/address-trap-reset output		
TEST	Input	Test pin for out-going test. Be fixed to low.		
VDD, VSS	Power Supply	+ 5 V, 0 V (GND)		
VAREF, VASS		Analog reference voltage inputs (High, Low)		
VLC	LCD drive power supply.			

OPERATIONAL DESCRIPTION

1. CPU CORE FUNCTIONS

The CPU core consists of a CPU, a system clock controller, an interrupt controller, and a watchdog timer. This section provides a description of the CPU core, the program memory (ROM), the data memory (RAM), and the reset circuit.

1.1 Memory Address Map

The TLCS-870 Series is capable of addressing 64K bytes of memory. Figure 1-1 shows the memory address maps of the TMP87CM23A/P23. In the TLCS-870 Series, the memory is organized 4 address spaces (ROM, RAM, SFR, and DBR). It uses a memory mapped I/O system, and all I/O registers are mapped in the SFR/DBR address spaces. There are 16 banks of general-purpose registers. The register banks are also assigned to the first 128 bytes of the RAM address space.

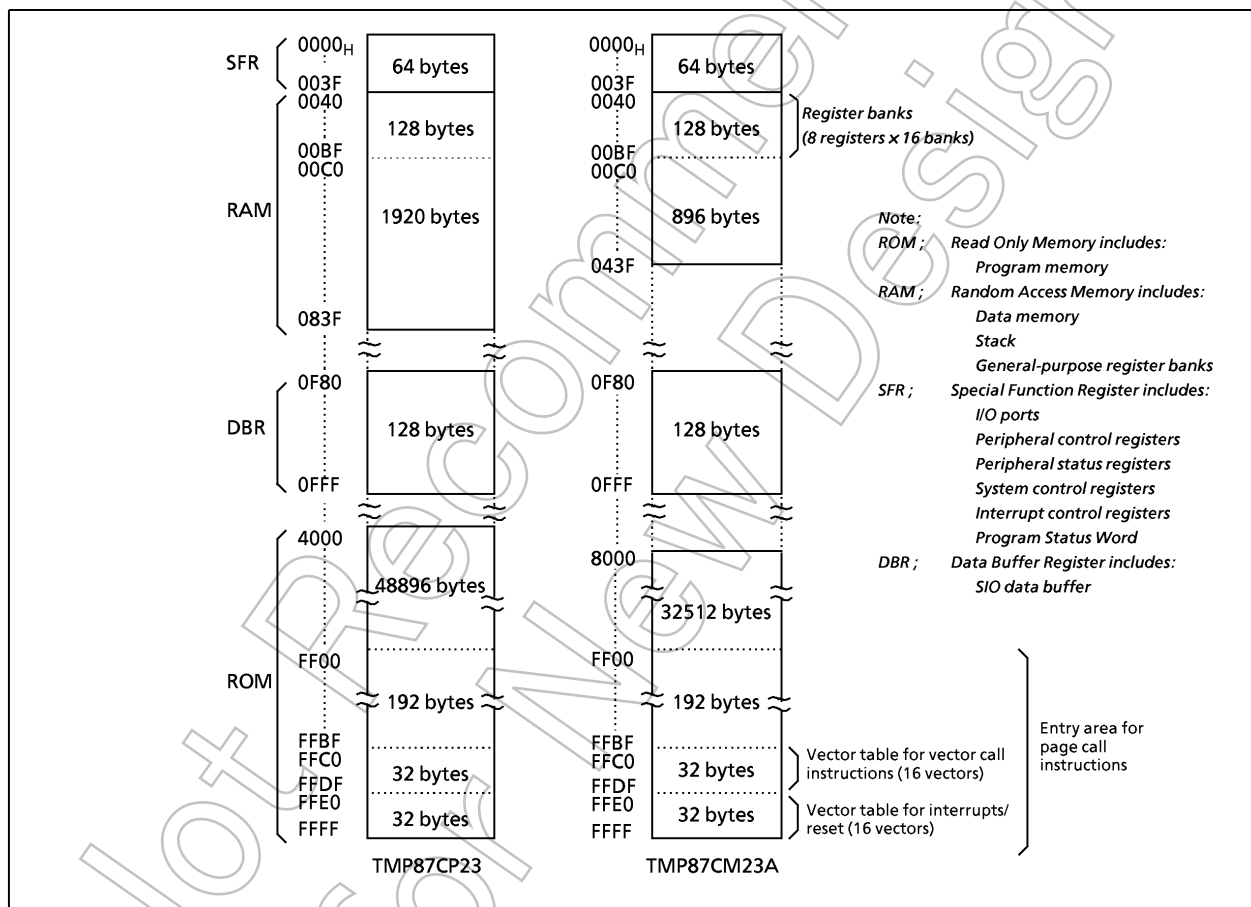


Figure 1-1. Memory Address Maps

1.2 Program Memory (ROM)

The TMP87CM23A has a 32K×8-bit (addresses 8000_H-FFFF_H), and the TMP87CP23 has a 48K×8-bit (address 4000_H-FFFF_H) of program memory (mask programmed ROM).

Addresses FF00_H-FFFF_H in the program memory can also be used for special purposes.

(1) **Interrupt / Reset** vector table (addresses FFE0_H-FFFF_H)

This table consists of a reset vector and 16 interrupt vectors (2 bytes/vector). These vectors store a reset start address and interrupt service routine entry addresses.

(2) Vector table for **vector call** instructions (addresses FFC0_H-FFDF_H)

This table stores call vectors (subroutine entry address, 2 bytes/vector) for the vector call instructions [CALLV n]. There are 16 vectors. The CALLV instruction increases memory efficiency when utilized for frequently used subroutine calls (called from 3 or more locations).

(3) Entry area (addresses FF00_H-FFFF_H) for **page call** instructions

This is the subroutine entry address area for the page call instructions [CALLP n]. Addresses FF00_H-FFBF_H are normally used because address FFC0_H-FFFF_H are used for the vector tables.

Programs and fixed data are stored in the program memory. The instruction to be executed next is read from the address indicated by the current contents of the program counter (PC). There are relative jump and absolute jump instructions. The concepts of page or bank boundaries are not used in the program memory concerning any jump instruction.

Example: The relationship between the jump instructions and the PC.

- ① 5-bit PC-relative jump [JRS cc, \$ + 2 + d]
 E8C4H: JRS T, \$ + 2 + 08H
 When JF = 1, the jump is made to E8CE_H, which is 08_H added to the contents of the PC. (The PC contains the address of the instruction being executed + 2; therefore, in this case, the PC contents are E8C4_H + 2 = E8C6_H.)

- ② 8-bit PC-relative jump [JR cc, \$ + 2 + d]
 E8C4H: JR Z, \$ + 2 + 80H
 When ZF = 1, the jump is made to E846_H, which is FF80_H (- 128) added to the current contents of the PC.

- ③ 16-bit absolute jump [JP a]
 E8C4H: JP 0C235H
 An unconditional jump is made to address C235_H. The absolute jump instruction can jump anywhere within the entire 64K-bytes space.

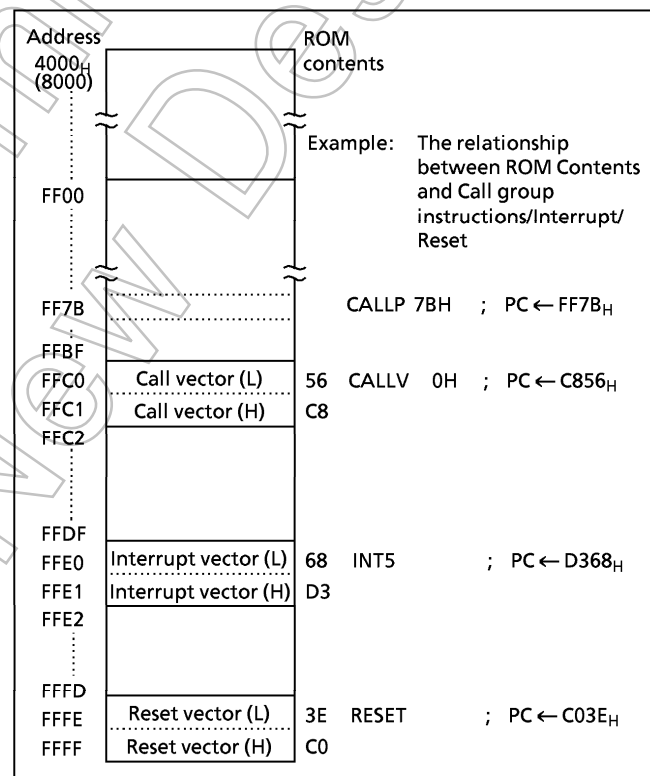


Figure 1-2. Program Memory Map

In the TLCS-870 Series, the same instruction used to access the data memory (e.g. [LD A, (HL)]) is also used to read out fixed data (ROM data) stored in the program memory. The register-offset PC-relative addressing (PC + A) instructions can also be used, and the code conversion, table look-up and n-way multiple jump processing can easily be programmed.

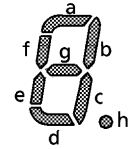
Example 1: Loads the ROM contents at the address specified by the HL register pair contents into the accumulator (TMP87CM23A: $HL \geq 8000_H$):

```
LD    A, (HL)          ; A ← ROM (HL)
```

Example 2: Converts BCD to 7-segment code (common anode LED). When A = 05_H, 92_H is output to port P6 after executing the following program:

```
ADD   A, TABLE - $ - 4    ; P6 ← ROM (TABLE + A)
LD    (P6), (PC + A)
JRS   T, SNEXT
TABLE: DB    0C0H, 0F9H, 0A4H, 0B0H, 99H, 92H, 82H, 0D8H, 80H, 98H
SNEXT:
```

Notes: "\$" is a header address of ADD instruction.
DB is a byte data definition instruction.



SHLC A
JP (PC + A)
34
C2
78
C3
37
DA
B0
E1

Example 3: N-way multiple jump in accordance with the contents of accumulator ($0 \leq A \leq 3$):

```
SHLC   A                ; if A = 00H then PC ← C234H
JP     (PC + A)         ; if A = 01H then PC ← C378H
                          ; if A = 02H then PC ← DA37H
                          ; if A = 03H then PC ← E1B0H
DW     0C234H, 0C378H, 0DA37H, 0E1B0H
```

Note: DW is a word data definition instruction.

1.3 Program Counter (PC)

The program counter (PC) is a 16-bit register which indicates the program memory address where the instruction to be executed next is stored. After reset, the user defined reset vector stored in the vector table (addresses FFFF_H and FFFE_H) is loaded into the PC; therefore, program execution is possible from any desired address. For example, when C0_H and 3E_H are stored at addresses FFFF_H and FFFE_H, respectively, the execution starts from address C03E_H after reset.

The TLC8-870 Series utilizes pipelined processing (instruction pre-fetch); therefore, the PC always indicates 2 addresses in advance. For example, while a 1-byte instruction stored at address C123_H is being executed, the PC contains C125_H.

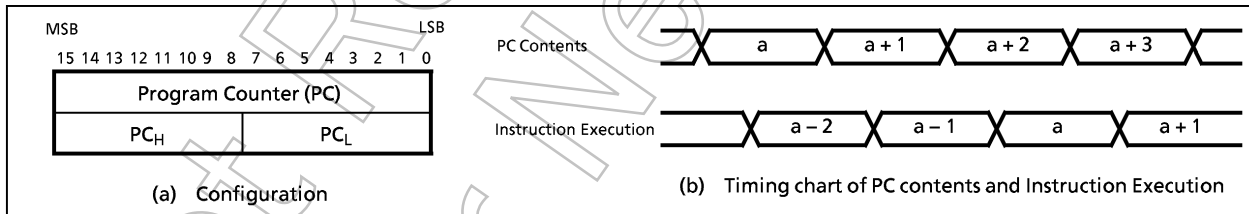


Figure 1-3. Program Counter

1.4 Data Memory (RAM)

The TMP87CM23A have a $1K \times 8$ -bit (addresses 0040_H - $043F_H$), and the TMP87CP23 has a $2K \times 8$ -bit (address 0040_H - $083F_H$) of data memory (static RAM). Figure 1-4 shows the data memory map.

Addresses 0000_H - $00FF_H$ are used as a direct addressing area to enhance instructions which utilize this addressing mode; therefore, addresses 0040_H - $00FF_H$ in the data memory can also be used for user flags or user counters.

Example 1: If bit 2 at data memory address $00C0_H$ is "1", 00_H is written to data memory at address $00E3_H$; otherwise, FF_H is written to the data memory at address $00E3_H$.

```

TEST    (00C0H).2      ; if (00C0H)2 = 0 then jump
JRS     T,SZERO
CLR     (00E3H)        ; (00E3H) ← 00H
JRS     T,SNEXT
SZERO:  LD     (00E3H), 0FFH ; (00E3H) ← FFH
SNEXT:

```

Example 2: Increments the contents of data memory at address $00F5_H$, and clears to 00_H when 10_H is exceeded.

```

INC     (00F5H)        ; (00F5H) ← (00F5H) + 1
AND     (00F5H), 0FH   ; (00F5H) ← (00F5H) ∧ 0FH

```

General-purpose register banks (8 registers \times 16 banks) are also assigned to the 128 bytes of addresses 0040_H - $00BF_H$. Access as data memory is still possible even when being used for registers. For example, when the contents of the data memory at address 0040_H is read out, the contents of the accumulator in the bank 0 are also read out. The stack can be located anywhere within the data memory except the register bank area. The stack depth is limited only by the free data memory size. For more details on the stack, see section "1.7 Stack and Stack Pointer".

With the TMP87CM23A/P23, programs in data memory cannot be executed. If the program counter indicates a specific data memory address (addresses 0040_H - $083F_H$), an address-trap-reset is generated due to bus error. (Output from the RESET pin goes low.)

Example 1: Clears RAM to "00_H" except the bank 0 (TMP87CP23/87PP23)

```

LD      HL, 0048H      ; Sets start address to HL register pair
LD      A, H           ; Sets initial data (00H) to A register
LD      BC, 07F7H     ; Sets number of byte to BC register pair
SRAMCLR: LD (HL+), A
DEC     BC
JRS     F, SRAMCLR

```

Example 2: Clears RAM to "00_H" except the bank 0 (TMP87CM23A)

```

LD      HL, 0048H      ; Sets start address to HL register pair
LD      A, H           ; Sets initial data (00H) to A register
LD      BC, 03F7H     ; Sets number of byte to BC register pair
SRAMCLR: LD (HL+), A
DEC     BC
JRS     F, SRAMCLR

```

Note: The data memory contents become unstable when the power supply is turned on; therefore, the data memory should be initialized by an initialization routine. Note that the general-purpose registers are mapped in the RAM; therefore, do not clear RAM at the current bank addresses.

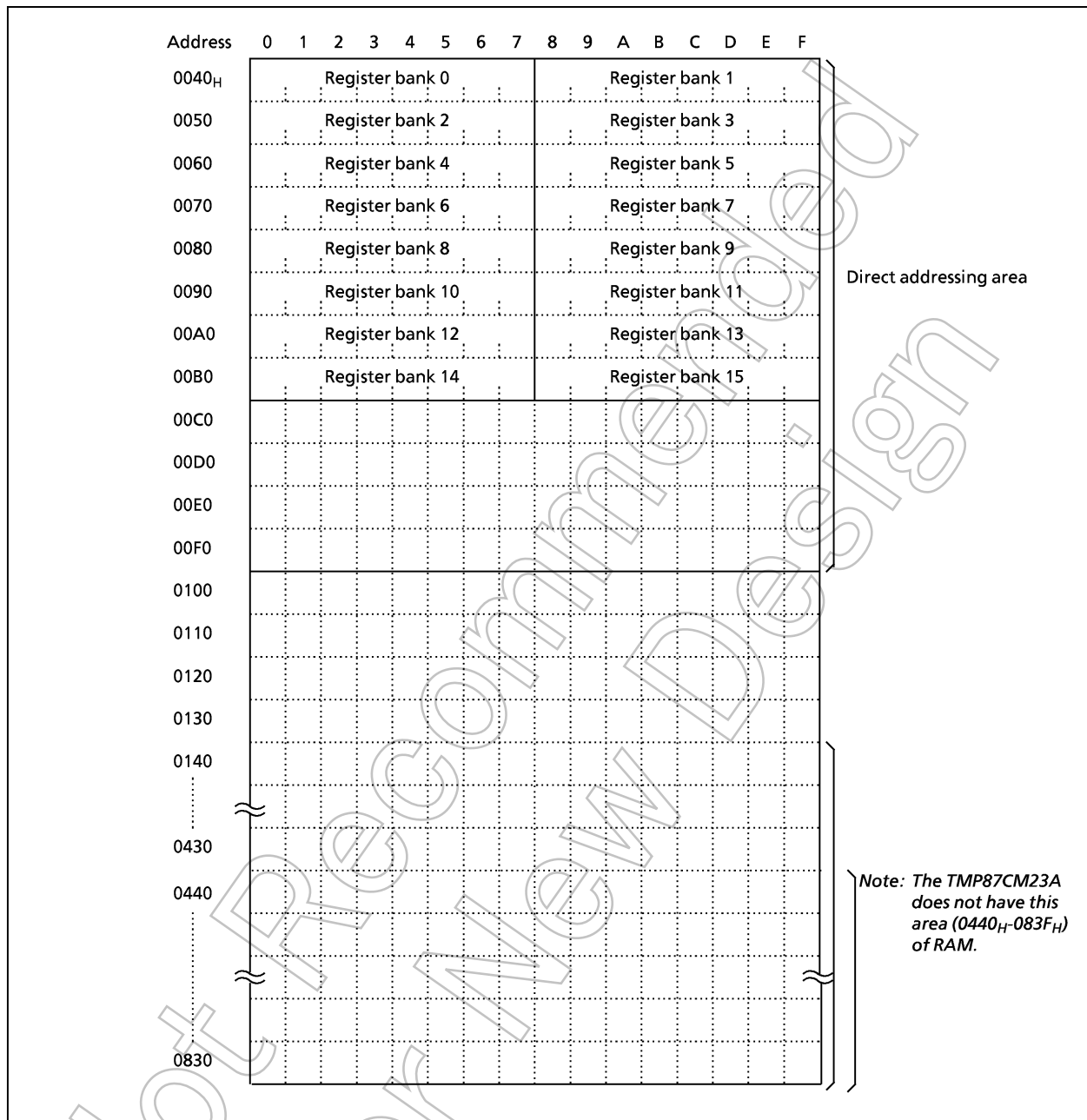


Figure 1-4. Data Memory Map

1.5 General-purpose Register Banks

General-purpose registers are mapped into addresses 0040_H-00BF_H in the data memory as shown in Figure 1-4. There are 16 register banks, and each bank contains eight 8-bit registers W, A, B, C, D, E, H, and L. Figure 1-5 shows the general-purpose register bank configuration.

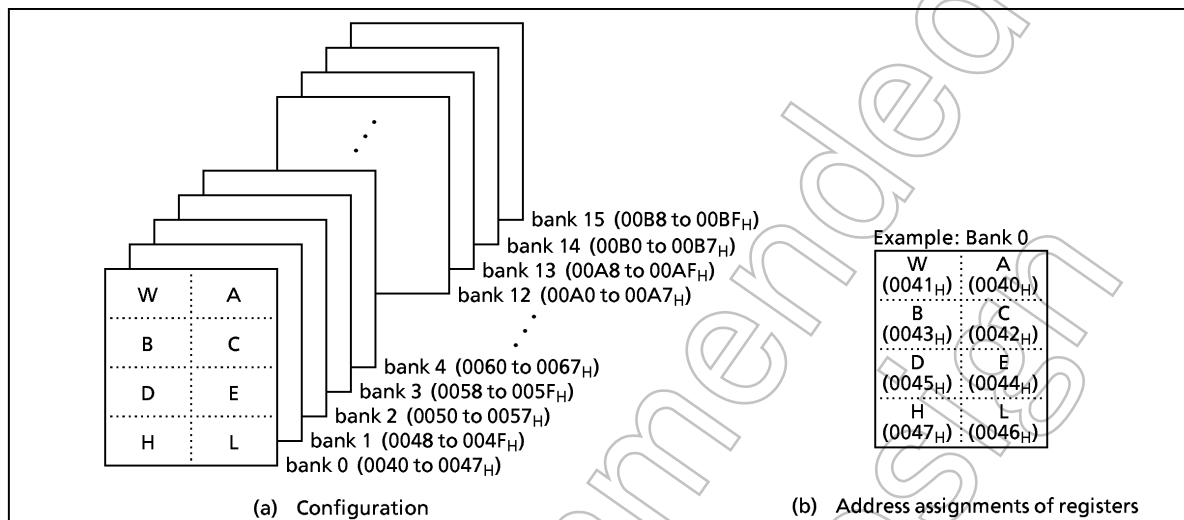


Figure 1-5. General-purpose Register Banks

In addition to access in 8-bit units, the registers can also be accessed in 16-bit units as the register pairs WA, BC, DE, and HL. Besides its function as a general-purpose register, the register also has the following functions:

(1) A, WA

The A register functions as an 8-bit accumulator and WA the register pair functions as a 16-bit accumulator (W is high byte and A is low byte). Registers other than A can also be used as accumulators for 8-bit operations.

Examples:

- ① ADD A, B ; Adds B contents to A contents and stores the result into A.
- ② SUB WA, 1234H ; Subtracts 1234_H from WA contents and stores the result into WA.
- ③ SUB E, A ; Subtracts A contents from E contents, and stores the result into E.

(2) HL, DE

The HL and DE specify a memory address. The HL register pair functions as data pointer (HL) /index register (HL + d) /base register (HL + C), and the DE register pair function as a data pointer (DE). The HL also has an auto-post-increment and auto-pre-decrement functions. This function simplifies multiple digit data processing, software LIFO (last-in first-out) processing, etc.

Example 1:

- ① LD A, (HL) ; Loads the memory contents at the address specified by HL into A.
- ② LD A, (HL + 52H) ; Loads the memory contents at the address specified by the value obtained by adding 52_H to HL contents into A.
- ③ LD A, (HL + C) ; Loads the memory contents at the address specified by the value obtained by adding the register C contents to HL contents into A.
- ④ LD A, (HL +) ; Loads the memory contents at the address specified by HL into A. Then increments HL.
- ⑤ LD A, (-HL) ; Decrements HL. Then loads the memory contents at the address specified by new HL into A.

The TLCS-870 Series can transfer data directly memory to memory, and operate directly between memory data and memory data. This facilitates the programming of block processing.

Example 2: Block transfer

```

LD      B, m           ; m = n - 1 (n: Number of bytes to transfer)
LD      HL, DSTA       ; Sets destination address to HL
LD      DE, SRCA       ; Sets source address to DE
SLOOP: LD      (HL), (DE) ; HL ← DE
INC     HL              ; HL ← HL + 1
INC     DE              ; DE ← DE + 1
DEC     B              ; B ← B - 1
JRS    F, SLOOP        ; if B ≥ 0 then loop

```

(3) B, C, BC

Registers B and C can be used as 8-bit buffers or counters, and the BC register pair can be used as a 16-bit buffer or counter. The C register functions as an offset register for register-offset index addressing (refer to example 1 ③ above) and as a divisor register for the division instruction [DIV gg, C].

Example 1: Repeat processing

```

LD      B, n           ; Sets n as the number of repetitions to B
SREPEAT: processing ; (n + 1 times processing)
DEC     B
JRS    F, SREPEAT

```

Example 2: Unsigned integer division (16-bit ÷ 8-bit)

```

DIV     WA, C          ; Divides the WA contents by the C contents, places the
                       ; quotient in A and the remainder in W.

```

The general-purpose register banks are selected by the 4-bit register bank selector (RBS). During reset, the RBS is initialized to "0". The bank selected by the RBS is called the current bank.

Together with the flag, the RBS is assigned to address 003FH in the SFR as the program status word (PSW). There are 3 instructions [LD RBS, n], [PUSH PSW], [POP PSW] to access the PSW. The PSW can be also operated by the memory access instruction.

Example 1: Incrementing the RBS

```

INC     (003FH)        ; RBS ← RBS + 1

```

Example 2: Reading the RBS

```

LD      A, (003FH)     ; A ← PSW (A3-0 ← RBS, A7-4 ← Flags)

```

Highly efficient programming and high-speed task switching are possible by using bank changeover to save registers during interrupt and to transfer parameters during subroutine processing.

During interrupt, the PSW is automatically saved onto the stack. The bank used before the interrupt was accepted is restored automatically by executing an interrupt return instruction [RETI]/[RETN]; therefore, there is no need for the RBS save/restore software processing.

The TLCS-870 Series supports a maximum of 15 interrupt sources. One bank is assigned to the main program, and one bank can be assigned to each source. Also, to increase the efficiency of data memory usage, assign the same bank to interrupt sources which are not nested.

Example: Saving /restoring registers during interrupt task using bank changeover.

```

PINT1: LD      RBS, n   ; RBS ← n (Bank changeover)
       Interrupt processing
RETI   ; Maskable interrupt return (Bank restoring)

```


1.6 Program Status Word (PSW)

The program status word (PSW) consists of a register bank selector (RBS) and four flags, and the PSW is assigned to address 003F_H in the SFR.

The RBS can be read and written using the memory access instruction (e. g. [LD A, (003FH)], [LD (003FH), A]), however the flags can only be read. When writing to the PSW, the change specified by the instruction is made without writing data to the flags. For example, when the instruction [LD (003FH), 05H] is executed, "5" is written to the RBS and the JF is set to "1", but the other flags are not affected.

[PUSH PSW] and [POP PSW] are the PSW access instructions.

1.6.1 Register Bank Selector (RBS)

The register bank selector (RBS) is a 4-bit register used to select general-purpose register banks. For example, when RBS = 2, bank 2 is currently selected. During reset, the RBS is initialized to "0".

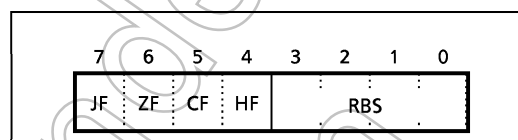


Figure 1-6. PSW (Flags, RBS) Configuration

1.6.2 Flags

The flags are configured with the upper 4 bits: a zero flag, a carry flag, a half carry flag and a jump status flag. The flags are set or cleared under conditions specified by the instruction. These flags except the half carry flag are used as jump condition "cc" for conditional jump instructions [JR cc, \$ + 2 + d]/[JRS cc, \$ + 2 + d]. After reset, the jump status flag is initialized to "1", other flags are not affected.

(1) Zero flag (ZF)

The ZF is set to "1" if the operation result or the transfer data is 00_H (for 8-bit operations and data transfers)/0000_H (for 16-bit operations); otherwise the ZF is cleared to "0".

During the bit manipulation instructions [SET, CLR, and CPL], the ZF is set to "1" if the contents of the specified bit is "0"; otherwise the ZF is cleared to "0".

This flag is set to "1" when the upper 8 bits of the product are 00_H during the multiplication instruction [MUL], and when 00_H for the remainder during the division instruction [DIV]; otherwise it is cleared to "0".

(2) Carry flag (CF)

The CF is set to "1" when a carry out of the MSB (most significant bit) of the result occurred during addition or when a borrow into the MSB of the result occurred during subtraction; otherwise the CF is cleared to "0". During division, this flag is set to "1" when the divisor is 00_H (divided by zero error), or when the quotient is 100_H or higher (overflow error); otherwise it is cleared. The CF is also affected during the shift/rotate instructions [SHLC, SHRC, ROLC, and RORC]. The data shifted out from a register is set to the CF.

This flag is also a 1-bit register (a boolean accumulator) for the bit manipulation instructions.

Set/clear/complement are possible with the CF manipulation instructions.

Example 1: Bit manipulation (The result of exclusive-OR between bit 5 content of address 07_H and bit 0 content of address 9A_H is written to bit 2 of address 01_H.)

```
LD      CF, (0007H) . 5      ; (0001H)2 ← (0007H)5 ∨ (009AH)0
XOR    CF, (009AH) . 0
LD      (0001H) . 2, CF
```

(3) Half carry flag (HF)

The HF is set to "1" when a carry occurred between bits 3 and 4 of the operation result during an 8-bit addition, or when a borrow occurred from bit 4 into bit 3 of the result during an 8-bit subtraction; otherwise the HF is cleared to "0". This flag is useful in the decimal adjustment for BCD operations (adjustments using the [DAA r], or [DAS r] instructions).

Example: BCD operation

(The A becomes 47_H after executing the following program when A = 19_H, B = 28_H)

```

ADD    A, B          ; A ← 41H, HF ← 1
DAA    A             ; A ← 41H + 06H = 47H (decimal-adjust)

```

(4) Jump status flag (JF)

Zero or carry information is set to the JF after operation (e. g. INC, ADD, CMP, TEST).

The JF provides the jump condition for conditional jump instructions [JR T/F, \$ + 2 + d], [JRS T/F, \$ + 2 + d] (T or F is a condition code). Jump is performed if the JF is "1" for a true condition (T), or the JF is "0" for a false condition (F).

The JF is set to "1" after executing the load/exchange/swap/nibble rotate/jump instruction, so that [JRS T, \$ + 2 + d] and [JR T, \$ + 2 + d] can be regarded as an unconditional jump instruction.

Example: Jump status flag and conditional jump instruction

```

INC    A
JRS    T, SLABLE1   ; Jump when a carry is caused by the immediately
:                                     preceding operation instruction.
LD     A, (HL)
JRS    T, SLABLE2   ; JF is set to "1" by the immediately preceding
:                                     instruction, making it an unconditional jump
:                                     instruction.

```

Example: The accumulator and flags become as shown below after executing the following instructions when the WA register pair, the HL register pair, the data memory at address 00C5_H, the carry flag and the half carry flag contents being "219A_H", "00C5_H", "D7_H", "1" and "0", respectively.

Instruction	Acc. after execution	Flag after execution			
		JF	ZF	CF	HF
ADDC A, (HL)	72	1	0	1	1
SUBB A, (HL)	C2	1	0	1	0
CMP A, (HL)	9A	0	0	1	0
AND A, (HL)	92	0	0	1	0
LD A, (HL)	D7	1	0	1	0
ADD A, 66H	00	1	1	1	1

Instruction	Acc. after execution	Flag after execution			
		JF	ZF	CF	HF
INC A	9B	0	0	1	0
ROL A	35	1	0	1	0
ROR A	CD	0	0	0	0
ADD WA, 0F508H	16A2	1	0	1	0
MUL W, A	13DA	0	0	1	0
SET A.5	BA	1	1	1	0

1.7 Stack and Stack Pointer

1.7.1 Stack

The stack provides the area in which the return address or status, etc. are saved before a jump is performed to the processing routine during the execution of a subroutine call instruction or the acceptance of an interrupt. On a subroutine call instruction [CALL a] / [CALLP n] / [CALLV n], the contents of the PC (the return address) is saved; on an interrupt acceptance, the contents of the PC and the PSW are saved (the PSW is pushed first, followed by PC_H and PC_L). Therefore, a subroutine call occupies two bytes on the stack; an interrupt occupies three bytes.

When returning from the processing routine, executing a subroutine return instruction [RET] restores the contents to the PC from the stack; executing an interrupt return instruction [RETI] / [RETN] restores the contents to the PC and the PSW (the PC_L is popped first, followed by PC_H and PSW).

The stack can be located anywhere within the data memory space except the register bank area, therefore the stack depth is limited only by the free data memory size.

1.7.2 Stack Pointer (SP)

The stack pointer (SP) is a 16-bit register containing the address of the next free locations on the stack.

The SP is post-decremented when a subroutine call or a push instruction is executed, or when an interrupt is accepted; and the SP is pre-incremented when a return or a pop instruction is executed. Figure 1-8 shows the stacking order.

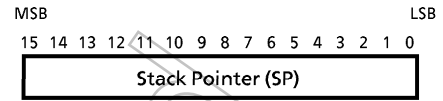


Figure 1-7. Stack Pointer

The SP is not initialized hardware-wise but requires initialization by an initialize routine (sets the highest stack address). [LD SP, mn], [LD SP, gg] and [LD gg, SP] are the SP access instructions (mn ; 16-bit immediate data, gg ; register pair).

Example 1: To initialize the SP

```
LD    SP, 043FH    ; SP←043FH
```

Example 2: To read the SP

```
LD    HL, SP      ; HL←SP
```

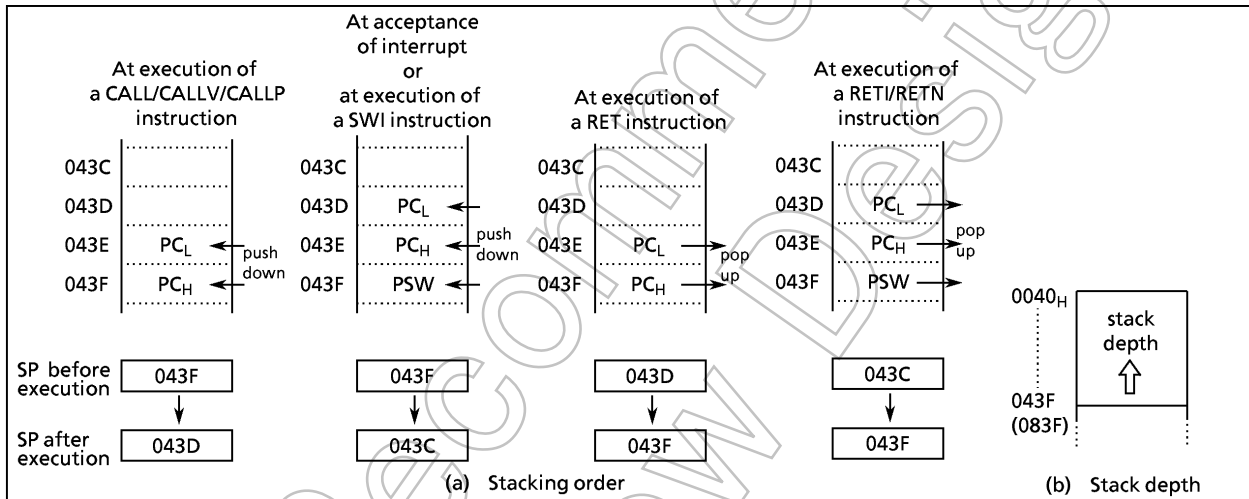


Figure 1-8. Stack

1.8 System Clock Controller

The system clock controller consists of a clock generator, a timing generator, and a stand-by controller.

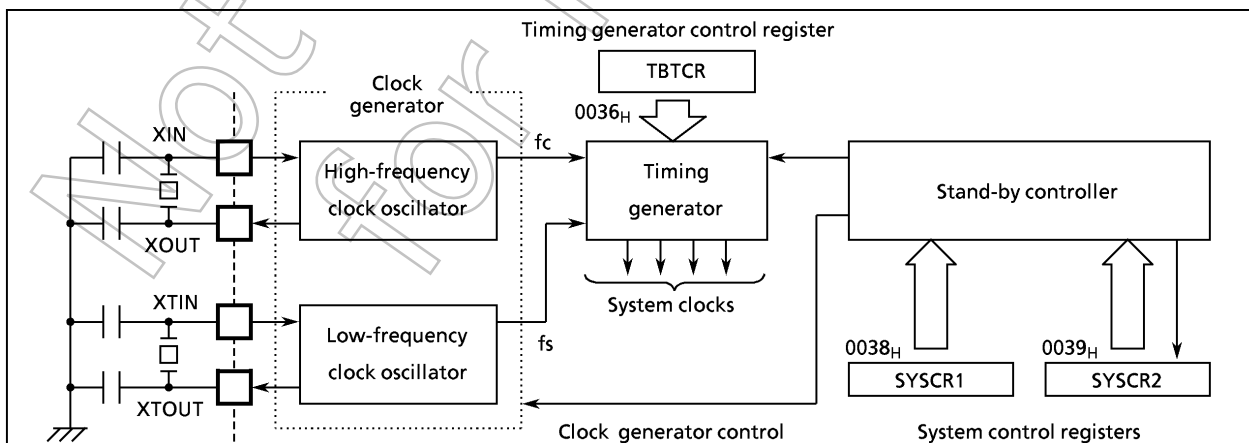


Figure 1-9. System Clock Controller

1.8.1 Clock Generator

The clock generator generates the basic clock which provides the system clocks supplied to the CPU core and peripheral hardware. It contains two oscillation circuits: one for the high-frequency clock and one for the low-frequency clock. Power consumption can be reduced by switching of the system clock controller to low-power operation based on the low-frequency clock.

The high-frequency (f_c) and low-frequency (f_s) clocks can be easily obtained by connecting a resonator between the XIN/XOUT and XTIN/XTOUT pins, respectively. Clock input from an external oscillator is also possible. In this case, external clock is applied to the XIN/XTIN pin with the XOUT/XTOUT pin not connected. The TMP87CM23A/P23 are not provided an RC oscillation.

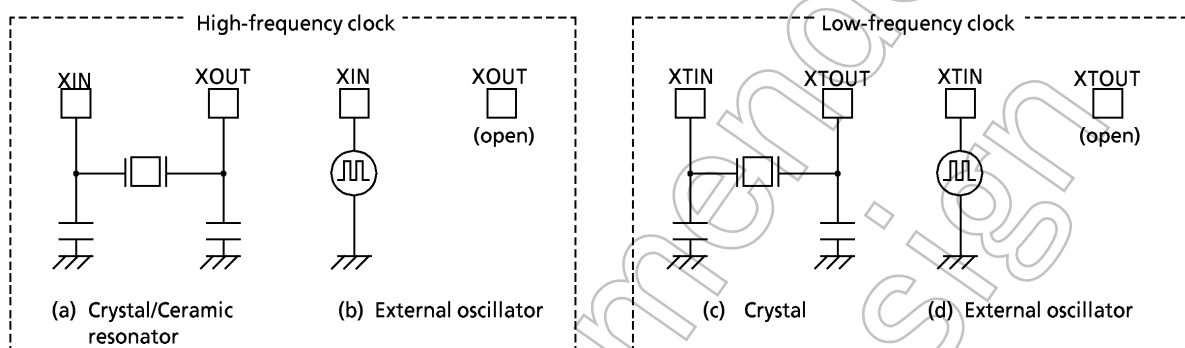


Figure 1-10. Examples of Resonator Connection

Note: *Accurate Adjustment of the Oscillation Frequency:*
 Although no hardware to externally and directly monitor the basic clock pulse is not provided, the oscillation frequency can be adjusted by making the program to output fixed frequency pulses to the port while disabling all interrupts and monitoring this pulse. With a system requiring adjustment of the oscillation frequency, the adjusting program must be created beforehand.

1.8.2 Timing Generator

The timing generator generates from the basic clock the various system clocks supplied to the CPU core and peripheral hardware. The timing generator provides the following functions:

- ① Generation of main system clock
- ② Generation of divider output (DVO) pulses
- ③ Generation of source clocks for time base timer
- ④ Generation of source clocks for watchdog timer
- ⑤ Generation of internal source clocks for timer/counters TC1 – TC3, TC5
- ⑥ Generation of internal clocks for serial interfaces SIO1 and SIO2
- ⑦ Generation of warm-up clocks for releasing STOP mode
- ⑧ Generation of a clock for releasing reset output

(1) Configuration of Timing Generator

The timing generator consists of a 21-stage divider with a divided-by-4 prescaler, a main system clock generator, and machine cycle counters. An input clock to the 7th stage of the divider depends on the operating mode and DV7CK (bit 4 in TBTCR) shown in Figure 1-11 as follows.

During reset and at releasing STOP mode, the divider is cleared to "0", however, the prescaler is not cleared.

- ① In the single-clock mode
A divided-by-256 of high-frequency clock ($fc/2^8$) is input to the 7th stage of the divider.
Do not set DV7CK to "1" in the single-clock mode.
- ② In the dual-clock mode
During NORMAL2 or IDLE2 mode (SYSCK = 0), an input clock to the 7th stage of the divider can be selected either " $fc/2^8$ " or " fs " with DV7CK.
During SLOW or SLEEP mode (SYSCK = 1), fs is automatically input to the 7th stage. To input clock to the 1st stage is stopped ; output from the 1st to 6th stages is also stopped.

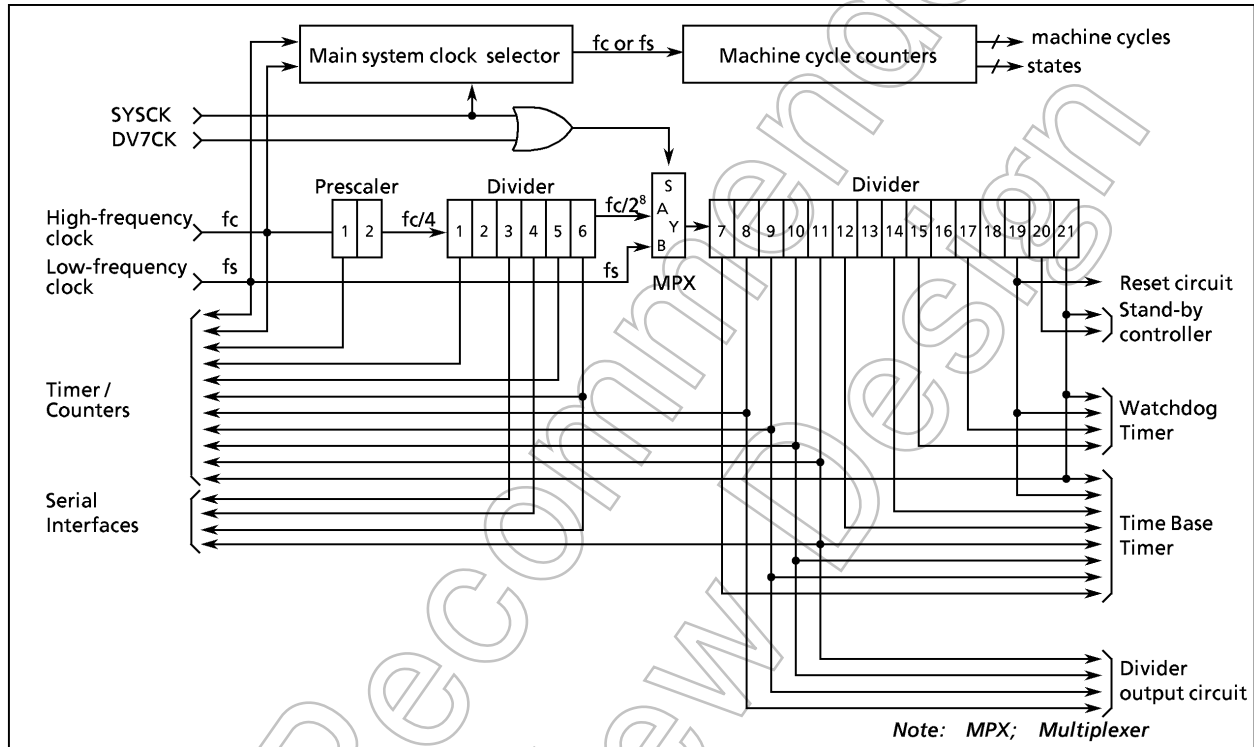


Figure 1-11. Configuration of Timing Generator

	7	6	5	4	3	2	1	0	(Initial value: 0**0 0***)
TBTCR (0036 _H)	(DVOEN)	(DVOCK)	DV7CK	(TBTEN)			(TBTK)		
	DV7CK	Selection of input clock to the 7th stage of the divider				0: $fc/2^8$ [Hz] 1: fs			R/W

Note1: fc ; High-frequency clock [Hz], fs ; Low-frequency clock [Hz], * ; Don't care
 Note 2: Do not set DV7CK to "1" in the single-clock mode.
 Note 3: Do not set DV7CK to "1" before low-frequency clock is stable in the dual-clock mode.

Figure 1-12. Timing Generator Control Register

(2) Machine Cycle

Instruction execution and peripheral hardware operation are synchronized with the main system clock. The minimum instruction execution unit is called an "machine cycle". There are a total of 10 different types of instructions for the TLC8-870 Series: ranging from 1-cycle instructions which require one machine cycle for execution to 10-cycle instructions which require 10 machine cycles for execution.

A machine cycle consists of 4 states (S0 to S3), and each state consists of one main system clock.

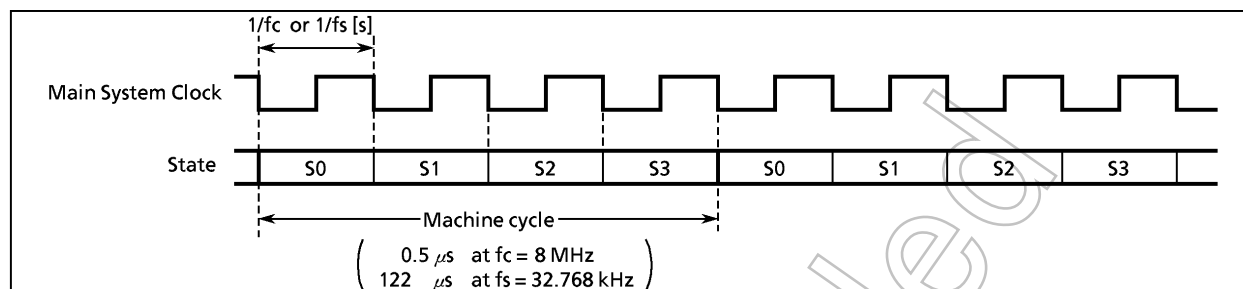


Figure 1-13. Machine Cycle

1.8.3 Stand-by Controller

The stand-by controller starts and stops the oscillation circuits for the high-frequency and low-frequency clocks, and switches the main system clock. There are two operating modes: single-clock and dual-clock. These modes are controlled by the system control registers (SYSCR1, SYSCR2).

Figure 1-14 show the operating mode transition diagram and Figure 1-15 shows the system control registers.

Either the single-clock or the dual-clock mode can be selected by an option during reset.

TMP87PP23 is fixed on the single-clock mode after reset release. (When using the dual-clock mode, turn on the oscillation circuits for the low-frequency clocks at the beginning of program.

(1) Single-clock mode

Only the oscillation circuit for the high-frequency clock is used, and P21 (XTIN) and P22 (XTOUT) pins are used as input/output ports. In the single-clock mode, the machine cycle time is $4/f_c$ [s] ($0.5 \mu\text{s}$ at $f_c = 8 \text{ MHz}$).

① NORMAL1 mode

In this mode, both the CPU core and on-chip peripherals operate using the high-frequency clock. In the case where the single-clock mode has been selected as an option, the TMP87CM23A/P23 are placed in this mode after reset.

② IDLE1 mode

In this mode, the internal oscillation circuit remains active, and the CPU and the watchdog timer are halted; however, on-chip peripherals remain active (operate using the high-frequency clock). IDLE1 mode is started by setting IDLE bit in the system control register 2 (SYSCR2), and IDLE1 mode is released to NORMAL1 mode by an interrupt request from on-chip peripherals or external interrupt inputs. When IMF (interrupt master enable flag) is "1" (interrupt enable), the execution will resume upon acceptance of the interrupt, and the operation will return to normal after the interrupt service is completed. When IMF is "0" (interrupt disable), the execution will resume with the instruction which follows IDLE mode start instruction.

③ STOP1 mode

In this mode, the internal oscillation circuit is turned off, causing all system operations to be halted. The internal status immediately prior to the halt is held with the lowest power consumption during this mode. The output status of all output ports can be set to either output hold or high-impedance under software control.

STOP1 mode is started by setting STOP bit in the system control register 1 (SYSCR1), and STOP1 mode is released by an input (either level-sensitive or edge-sensitive can be programmably selected) to the STOP pin. After the warming-up period is completed, the execution resumes with the next instruction which follows the STOP mode start instruction.

(2) Dual-clock mode

Both high-frequency and low-frequency oscillation circuits are used in this mode. Pins P21 (XTIN) and P22 (XTOUT) cannot be used as input/output ports. The main system clock is obtained from the high-frequency clock in NORMAL2 and IDLE2 modes, and is obtained from the low-frequency clock in SLOW and SLEEP modes. The machine cycle time is $4/f_c$ [s] ($0.5 \mu\text{s}$ at $f_c = 8 \text{ MHz}$) in NORMAL2 and IDLE2 modes, and $4/f_s$ [s] ($122 \mu\text{s}$ at $f_s = 32.768 \text{ kHz}$) in SLOW and SLEEP modes. *Note that the TMP87PP23 is placed in the single-clock mode during reset.* To use the dual-clock mode, the low-frequency oscillator should be turned on by executing [SET (SYSCR2).XTEN] instruction.

① NORMAL2 mode

In this mode, the CPU core operates using the high-frequency clock. On-chip peripherals operate using the high-frequency clock and/or low-frequency clock. In case that the dual-clock mode has been selected by an option, the TMP87CM23A/P23 are placed in this mode after reset.

② SLOW mode

This mode can be used to reduce power-consumption by turning off oscillation of the high-frequency clock. The CPU core and on-chip peripherals operate using the low-frequency clock.

Switching back and forth between NORMAL2 and SLOW modes is performed by the system control register 2.

③ IDLE2 mode

In this mode, the internal oscillation circuits remain active. The CPU and the watchdog timer are halted; however, on-chip peripherals remain active (operate using the high-frequency clock and/or the low-frequency clock). Starting and releasing of IDLE2 mode are the same as for IDLE1 mode, except that operation returns to NORMAL2 mode.

④ SLEEP mode

In this mode, the internal oscillation circuit of the low-frequency clock remains active. The CPU, the watchdog timer, and the internal oscillation circuit of the high-frequency clock are halted; however, on-chip peripherals remain active (operate using the low-frequency clock). Starting and releasing of SLEEP mode is the same as for IDLE1 mode, except that operation returns to SLOW mode.

⑤ STOP2 mode

As in STOP1 mode, all system operations are halted in this mode.

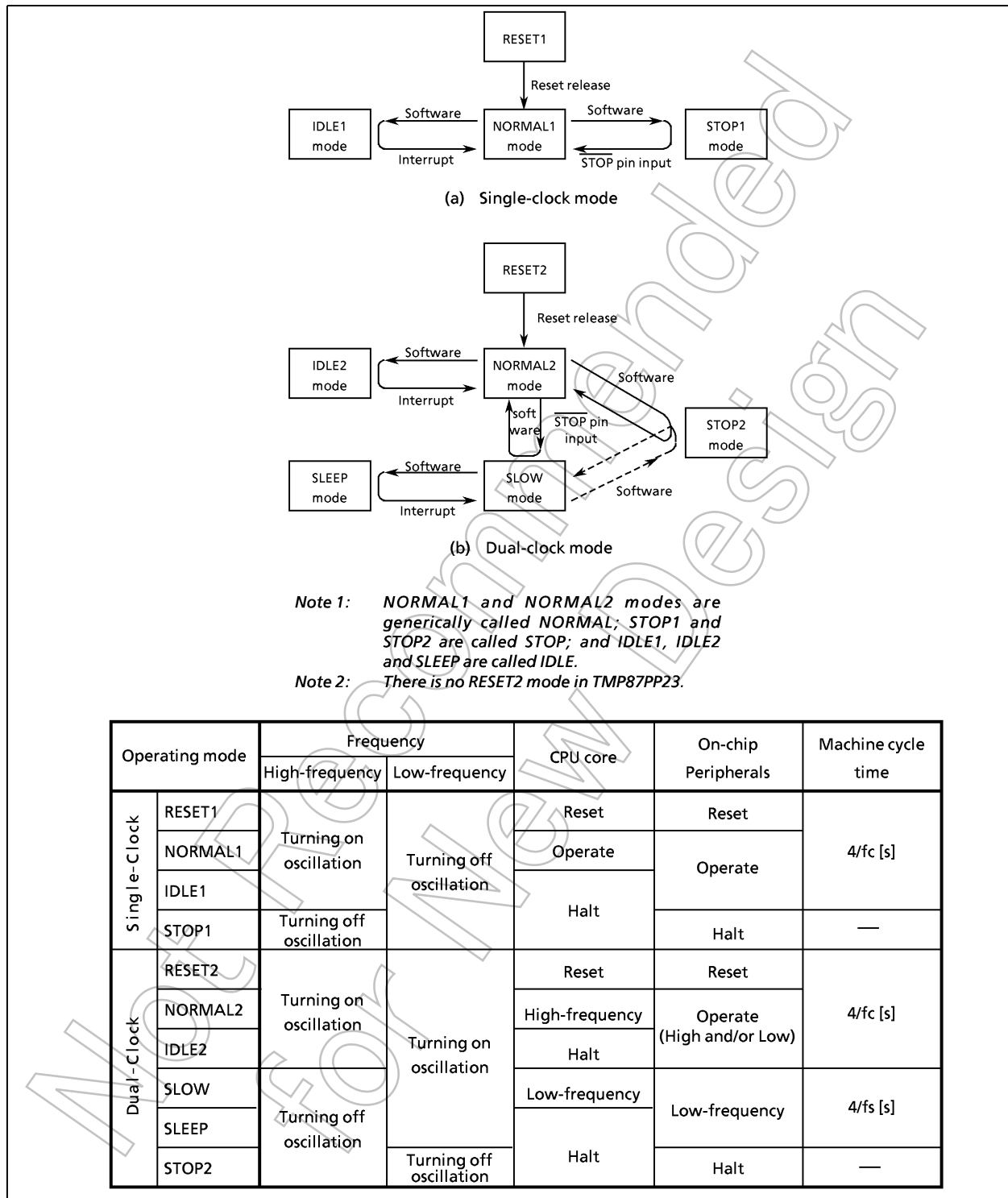


Figure 1-14. Operating Mode Transition Diagram

System Control Register 1											
SYSCR1 (0038 _H)											
7	6	5	4	3	2 1 0						
STOP	RELM	RETM	OUTEN	WUT	(Initial value: 0000 00**)						
STOP	STOP mode start	0: CPU core and peripherals remain active 1: CPU core and peripherals are halted (start STOP mode)			R/W						
RELM	Release method for STOP mode	0: Edge-sensitive release 1: Level-sensitive release									
RETM	Operating mode after STOP mode	0: Return to NORMAL mode 1: Return to SLOW mode									
OUTEN	Port output control during STOP mode	0: High-impedance 1: Remain unchanged									
WUT	Warming-up time at releasing STOP mode	00: $3 \times 2^{19} / f_c$ or $3 \times 2^{13} / f_s$ [s] 01: $2^{19} / f_c$ or $2^{13} / f_s$ 1*: Reserved									
<p>Note 1: Always set RETM to "0" when transitioning from NORMAL1 mode to STOP1 mode and from NORMAL2 mode to STOP2 mode. Always set RETM to "1" when transitioning from SLOW mode to STOP2 mode.</p> <p>Note 2: When STOP mode is released with RESET pin input, a return is made to NORMAL mode regardless of the RETM contents.</p> <p>Note 3: f_c; high-frequency clock [Hz] f_s; low-frequency clock [Hz] *; Don't care</p> <p>Note 4: Bits 1 and 0 in SYSCR1 are read in as undefined data when a read instruction is executed.</p> <p>Note 5: When the STOP mode is started by specifying OUTEN = "0", the internal input of port is fixed to "0" and the interrupt of the falling edge may be set.</p>											
System Control Register 2											
SYSCR2 (0039 _H)											
7	6	5	4	3	2 1 0						
XEN	XTEN	SYSCK	IDLE		(Initial value: 10/100 ****)						
XEN	High-frequency oscillator control	0: Turn off oscillation 1: Turn on oscillation			R/W						
XTEN	Low-frequency oscillator control	0: Turn off oscillation 1: Turn on oscillation									
SYSCK	Main system clock select (write)/main system clock monitor (read)	0: High-frequency clock 1: Low-frequency clock									
IDLE	IDLE mode start	0: CPU and watchdog timer remain active 1: CPU and watchdog timer are stopped (start IDLE mode)									
<p>Note 1: A reset is applied (RESET pin output goes low) if both XEN and XTEN are cleared to "0".</p> <p>Note 2: Do not clear XEN to "0" when SYSCK = 0, and do not clear XTEN to "0" when SYSCK = 1.</p> <p>Note 3: WDT; watchdog timer, *; Don't care</p> <p>Note 4: Bits 3 - 0 in SYSCR2 are always read in as "1" when a read instruction is executed.</p> <p>Note 5: An optional initial value can be selected for XTEN. Always specify when ordering ES (engineering sample). The XTEN of TMP87PP23 is initialized to "0".</p> <table border="1"> <thead> <tr> <th>XTEN</th> <th>operating mode after reset</th> </tr> </thead> <tbody> <tr> <td>0</td> <td>Single-clock mode (NORMAL1)</td> </tr> <tr> <td>1</td> <td>Dual-clock mode (NORMAL2)</td> </tr> </tbody> </table> <p>Note 6: The instruction for specifying Masking Option (Operating Mode) in ES Order Sheet is described in ADDITIONAL INFORMATION "Notice for Masking Option of TLCS-870 series" section 8.</p>						XTEN	operating mode after reset	0	Single-clock mode (NORMAL1)	1	Dual-clock mode (NORMAL2)
XTEN	operating mode after reset										
0	Single-clock mode (NORMAL1)										
1	Dual-clock mode (NORMAL2)										

Figure 1-15. System Control Registers

1.8.4 Operating Mode Control

(1) STOP mode (STOP1, STOP2)

STOP mode is controlled by the system control register 1 (SYSCR1) and the $\overline{\text{STOP}}$ pin input. The $\overline{\text{STOP}}$ pin is also used both as a port P20 and an $\overline{\text{INT5}}$ (external interrupt input 5) pin. STOP mode is started by setting STOP (bit 7 in SYSCR1) to "1". During STOP mode, the following status is maintained.

- ① Oscillations are turned off, and all internal operations are halted.
- ② The data memory, registers (except for DBR) and port output latches are all held in the status in effect before STOP mode was entered. The port output can be select either output hold or high-impedance by setting OUTEN (bit 4 in SYSCR1).
- ③ The divider of the timing generator is cleared to "0".
- ④ The program counter holds the address of the instruction following the instruction which started the STOP mode.

STOP mode includes a level-sensitive release mode and an edge-sensitive release mode, either of which can be selected with RELM (bit 6 in SYSCR1).

a. Level-sensitive release mode (RELM = 1)

In this mode, STOP mode is released by setting the $\overline{\text{STOP}}$ pin high. This mode is used for capacitor back-up when the main power supply is cut off and long term battery back-up.

When the $\overline{\text{STOP}}$ pin input is high, executing an instruction which starts the STOP mode will not place in STOP mode but instead will immediately start the release sequence (warm-up). Thus, to start STOP mode in the level-sensitive release mode, it is necessary for the program to first confirm that the $\overline{\text{STOP}}$ pin input is low. The following method can be used for confirmation:

- Using an external interrupt input $\overline{\text{INT5}}$ ($\overline{\text{INT5}}$ is a falling edge-sensitive input).

Example: Starting STOP mode with an $\overline{\text{INT5}}$ interrupt.

```

PINT5:   TEST    (P2) . 0           ; To reject noise, the STOP mode does not start if
        JRS     F, SINT5           port P20 is at high
        LD      (SYSCR1), 01000000B ; Sets up the level-sensitive release mode.
        SET     (SYSCR1) . 7       ; Starts STOP mode
        LDW    (IL), 11100111010111B ; IL12, 11, 7, 5, 3 ← 0
SINT5:   RETI
  
```

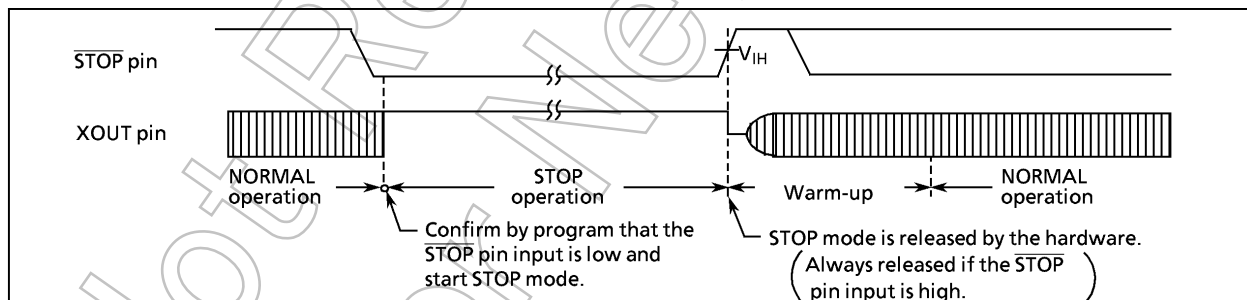


Figure 1-16. Level-sensitive Release Mode

Note 1: After warm-up start, even if $\overline{\text{STOP}}$ pin input is low again, STOP mode does not restart.

Note 2: When changing to the level-sensitive release mode from the edge-sensitive release mode, the release mode is not switched until a rising edge of the $\overline{\text{STOP}}$ pin input is detected.

b. Edge-sensitive release mode (RELM = 0)

In this mode, STOP mode is released by a rising edge of the $\overline{\text{STOP}}$ pin input. This is used in applications where a relatively short program is executed repeatedly at periodic intervals. This periodic signal (for example, a clock from a low-power consumption oscillator) is input to the $\overline{\text{STOP}}$ pin.

In the edge-sensitive release mode, STOP mode is started even when the $\overline{\text{STOP}}$ pin input is high.

Example: Starting STOP mode operation in the edge-sensitive release mode

LD (SYSCR1), 1000000B

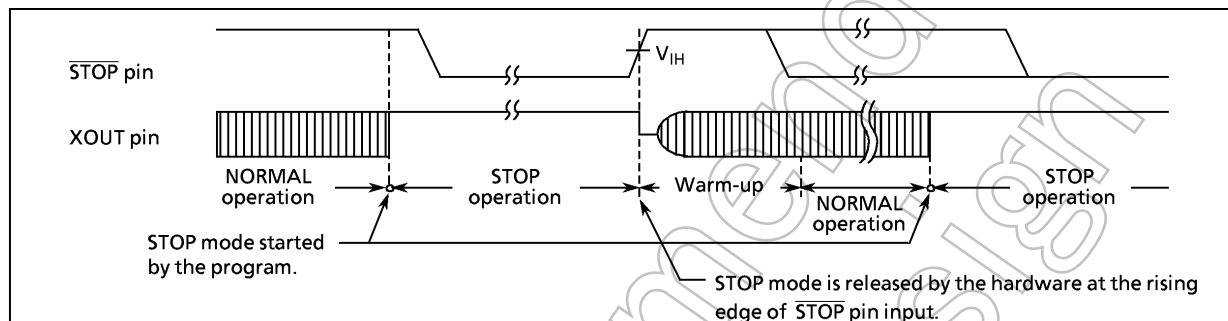


Figure 1-17. Edge-sensitive Release Mode

STOP mode is released by the following sequence:

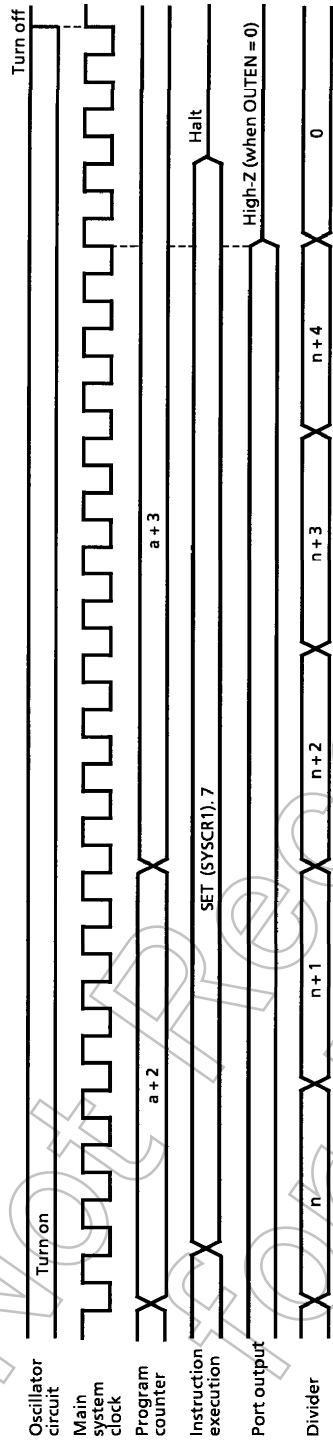
- ① When returning to NORMAL2, both the high-frequency and low-frequency clock oscillators are turned on; when returning to SLOW mode, only the low-frequency clock oscillator is turned on. When returning to NORMAL 1, only the high-frequency clock oscillator is turned on.
- ② A warming-up period is inserted to allow oscillation time to stabilize. During warm-up, all internal operations remain halted. Two different warming-up times can be selected with WUT (bits 2 and 3 in SYSCR1) as determined by the resonator characteristics.
- ③ When the warming-up time has elapsed, normal operation resumes with the instruction following the STOP mode start instruction (e.g. [SET (SYSCR1). 7]). The start is made after the divider of the timing generator is cleared to "0".

Table 1-1. Warming-up Time example

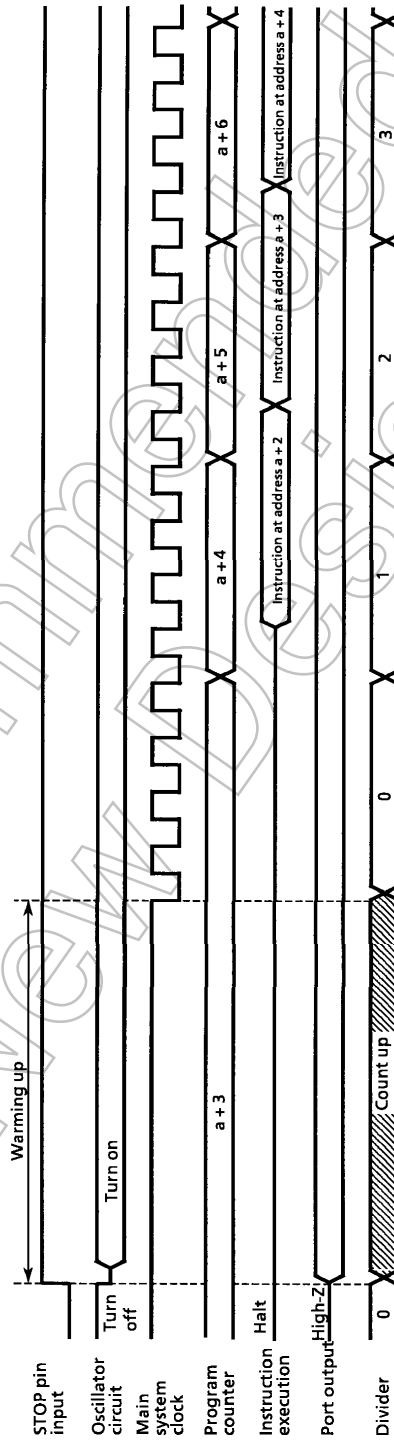
Return to NORMAL1 mode			Return to SLOW mode	
WUT	At $f_c = 4.194304$ MHz	At $f_c = 8$ MHz	WUT	At $f_s = 32.768$ kHz
$3 \times 2^{19} / f_c$ [s]	375 [ms]	196.6 [ms]	$3 \times 2^{13} / f_s$ [s]	750 [ms]
$2^{19} / f_c$	125	65.5	$2^{13} / f_s$	250

Note: The warming-up time is obtained by dividing the basic clock by the divider: therefore, the warming-up time may include a certain amount of error if there is any fluctuation of the oscillation frequency when STOP mode is released. Thus, the warming-up time must be considered an approximate value.

STOP mode can also be released by setting the $\overline{\text{RESET}}$ pin low, which immediately performs the normal reset operation. In this case, even if the setting is to return to the SLOW mode, it starts from the NORMAL mode. If the initial XTEN of TMP87CM23A/P23 is set to "1" by mask option, TMP87CM23A/P23 starts from NORMAL2 mode.



(a) STOP Mode start (Example : Start with SET (SYSCTR1). 7 instruction located at address a)



(b) STOP Mode Release

Figure 1-18. STOP Mode Start / Release

Note: When STOP mode is released with a low hold voltage, the following cautions must be observed. The power supply voltage must be at the operating voltage level before releasing STOP mode. The $\overline{\text{RESET}}$ pin input must also be high, rising together with the power supply voltage. In this case, if an external time constant circuit has been connected, the $\overline{\text{RESET}}$ pin input voltage will increase at a slower rate than the power supply voltage. At this time, there is a danger that a reset may occur if input voltage level of the $\overline{\text{RESET}}$ pin drops below the non-inverting high-level input voltage (hysteresis input).

(2) IDLE mode (IDLE1, IDLE2, SLEEP)

IDLE mode is controlled by the system control register 2 and maskable interrupts. The following status is maintained during IDLE mode.

- ① Operation of the CPU and watchdog timer is halted. On-chip peripherals continue to operate.
- ② The data memory, CPU registers and port output latches are all held in the status in effect before IDLE mode was entered.
- ③ The program counter holds the address of the instruction following the instruction which started IDLE mode.

Example: Starting IDLE mode.

```
SET      (SYSCR2) . 4
```

IDLE mode includes a normal release mode and an interrupt release mode. Selection is made with the interrupt master enable flag (IMF). Releasing the IDLE mode returns from IDLE1 to NORMAL1, from IDLE2 to NORMAL2, and from SLEEP to SLOW mode.

a. Normal release mode (IMF = "0")

IDLE mode is released by any interrupt source enabled by the individual interrupt enable flag (EF) or an external interrupt 0 (INT0 pin) request. Execution resumes with the instruction following the IDLE mode start instruction. The interrupt latch (IL) of the interrupt source for releasing the IDLE mode must be cleared to "0" by load instruction.

b. Interrupt release mode (IMF = "1")

IDLE mode is released and interrupt processing is started by any interrupt source enabled with the individual interrupt enable flag (EF) or an external interrupt 0 (INT0 pin) request. After the interrupt is processed, the execution resumes from the instruction following the instruction which started IDLE mode.

IDLE mode can also be released by setting the $\overline{\text{RESET}}$ pin low, which immediately performs the reset operation. After reset, the TMP87CM23A/P23 are placed in NORMAL2 mode (the TMP87PP23 is placed in NORMAL1 mode).

Note: When a watchdog timer interrupt is generated immediately before the IDLE mode is started, the watchdog timer interrupt will be processed but IDLE mode will not be started.

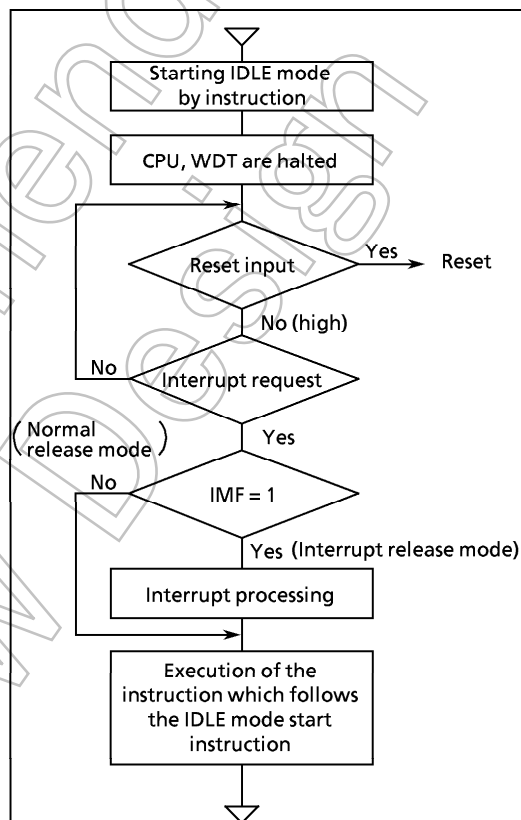


Figure 1-19. IDLE Mode

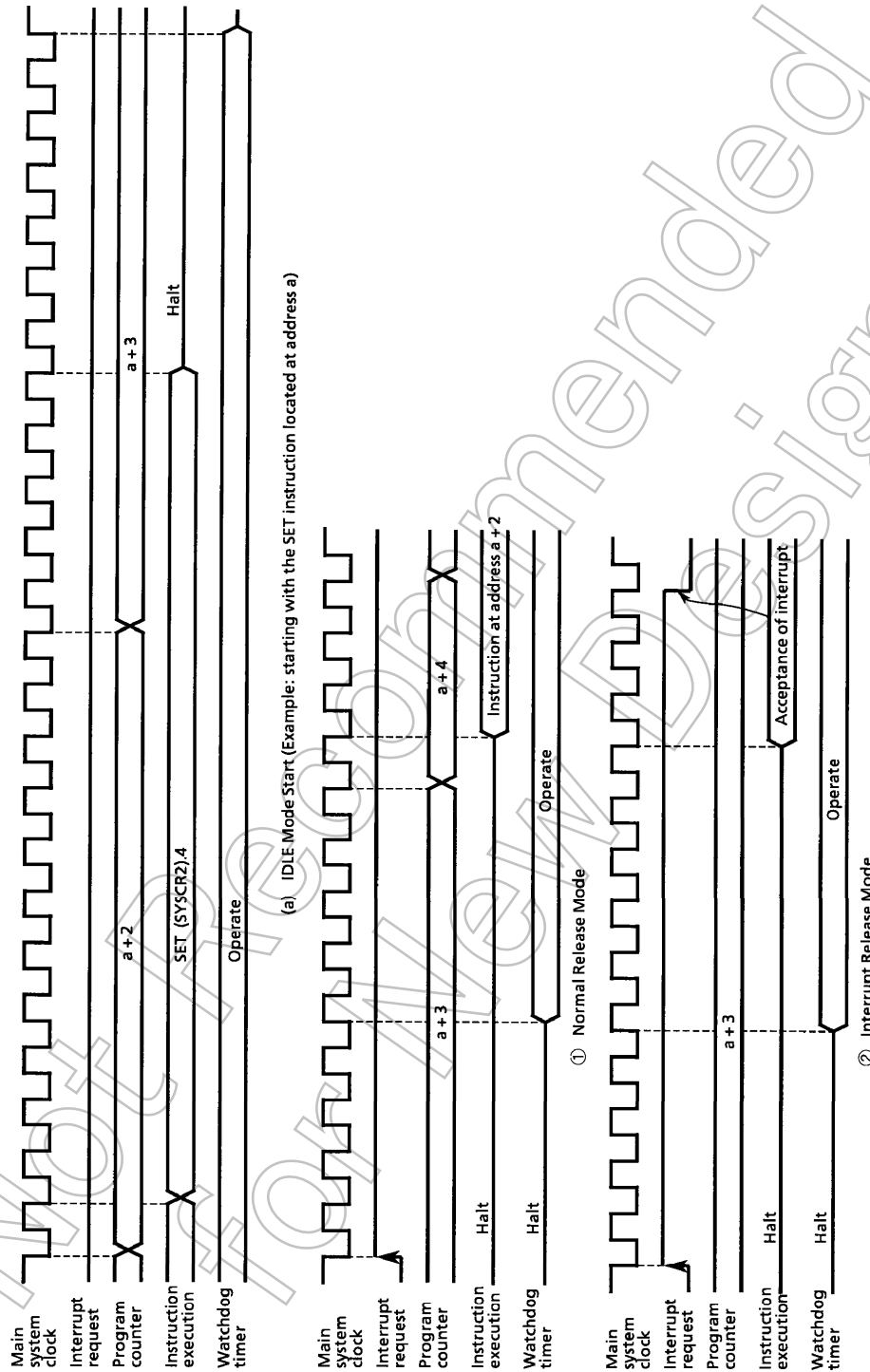


Figure 1-20. IDLE Mode Start / Release

(3) SLOW mode

SLOW mode is controlled by the system control register 2 (SYSCR2) and the timer/counter 2 (TC2).

a. Switching from NORMAL2 mode to SLOW mode

First, set SYSCK (bit 5 in SYSCR2) to switch the main system clock to the low-frequency clock. Next, clear XEN (bit 7 in SYSCR2) to turn off high-frequency oscillation.

When the low-frequency clock oscillation is unstable, wait until oscillation stabilizes before performing the above operations. The timer/counter 2 (TC2) can conveniently be used to confirm that low-frequency clock oscillation has stabilized.

Note1: After the SYSCK is cleared to "0", the CPU core operate using low frequency clock when the main system clock is switching from low frequency clock to high frequency clock.

Note2: SLOW mode can also be released by setting the RESET pin low, which immediately performs the reset operation. After reset, the TMP87CM23A/P23 are placed in NORMAL mode. (The PP23 is placed in NORMAL1 mode)

Example1: Switching from NORMAL2 mode to SLOW mode.

```
SET      (SYSCR2).5 ; SYSCK←1 (Switches the main system clock to the
                                low-frequency clock)
CLR      (SYSCR2).7 ; XEN←0   (turns off high-frequency oscillation)
```

Example2: Switching to SLOW mode after low-frequency clock oscillation has stabilized.

```
LD      (TC2CR), 14H ; Sets TC2 mode
                                (timer mode, source clock: fs)
LDW     (TREG2), 8000H ; Sets warming-up time
                                (according to Xtal characteristics)
SET     (EIRH).EF14 ; Enable INTTC2
LD      (TC2CR), 34H ; Starts TC2
;
;
PINTTC2: LD      (TC2CR), 10H ; Stops TC2
          SET     (SYSCR2).5 ; SYSCK←1
          CLR     (SYSCR2).7 ; XEN←0
          RETI
          ;
VINTTC2: DW      PINTTC2 ; INTTC2 vector table
```

b. Switching from SLOW mode to NORMAL2 mode

First, set XEN (bit 7 in SYSCR2) to turn on the high-frequency oscillation. When time for stabilization (warm-up) has been taken by the timer/counter 2 (TC2), clear SYSCK (bit 5 in SYSCR2) to switch the main system clock to the high-frequency clock.

Note1: After the SYSCK is cleared to "0", the CPU core operate using low frequency clock when the main system clock is switching from low frequency clock to high frequency clock.

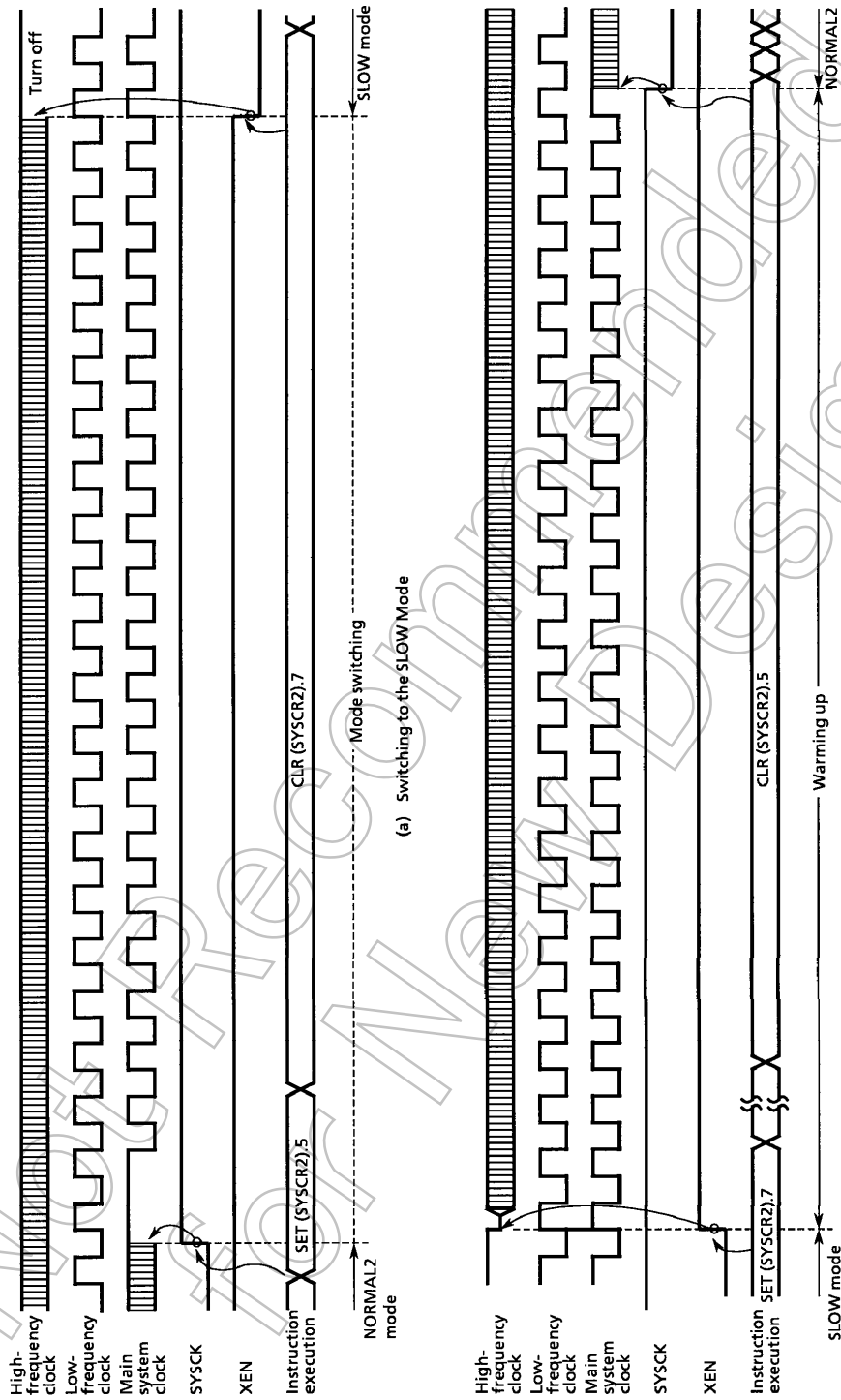
Note2: SLOW mode can also be released by setting the RESET pin low, which immediately performs the reset operation. After reset, the TMP87CM23A/P23 are placed in NORMAL2 mode. (The PP23 is placed in NORMAL1 mode)

Example: Switching from SLOW mode to NORMAL2 mode (fc = 8 MHz, warming-up time is about 7.9 ms).

```

SET      (SYSCR2). 7      ; XEN←1 (turns on high-frequency oscillation)
LD      (TC2CR), 10H     ; Sets TC2 mode
                          ; (timer mode, source clock: fc)
LD      (TREG2 + 1), 0F8H ; Sets the warming-up time
                          ; (according to frequency and resonator characteristics)
SET      (EIRH). EF14    ; Enable INTTC2
LD      (TC2CR), 30H     ; Starts TC2
      ∴
PINTTC2: LD      (TC2CR), 10H ; Stops-TC2
CLR      (SYSCR2). 5     ; SYSCK←0 (Switches the main system clock to the
                          ; high-frequency clock)
      RETI
      ∴
VINTTC2: DW      PINTTC2  ; INTTC2 vector table

```

(a) Switching to the SLOW Mode

(b) Switching to the NORMAL2 Mode

Figure 1-21. Switching between the NORMAL2 and SLOW Modes

1.9 Interrupt Controller

The TMP87CM23A/P23 each have a total of 14 interrupt sources: 5 externals and 9 internals. Nested interrupt control with priorities is also possible. Two of the internal sources are pseudo non-maskable interrupts; the remainder are all maskable interrupts.

Interrupt latches (IL) that hold the interrupt requests are provided for interrupt sources. Each interrupt vector is independent.

The interrupt latch is set to "1" when an interrupt request is generated and requests the CPU to accept the interrupt. The acceptance of maskable interrupts can be selectively enabled and disabled by the program using the interrupt master enable flag (IMF) and the individual interrupt enable flags (EF). When two or more interrupts are generated simultaneously, the interrupt is accepted in the highest priority order as determined by the hardware. Figure 1-22 shows the interrupt controller.

Table 1-2. Interrupt Sources

Interrupt Source		Enable Condition	Interrupt Latch	Vector Table Address	Priority
Internal/ External	(Reset)	Non-Maskable	—	FFFE _H	High 0
Internal	INTSW (Software interrupt)	Pseudo	—	FFFCH	1
Internal	INTWDT (Watchdog Timer interrupt)	non-maskable	IL ₂	FFFA _H	2
External	INT0 (External interrupt 0)	IMF · INTOEN = 1	IL ₃	FFF8 _H	3
Internal	INTTC1 (16-bit TC1 interrupt)	IMF · EF ₄ = 1	IL ₄	FFF6 _H	4
External	INT1 (External interrupt 2)	IMF · EF ₅ = 1	IL ₅	FFF4 _H	5
Internal	INTTBT (Time Base Timer interrupt)	IMF · EF ₆ = 1	IL ₆	FFF2 _H	6
External	INT2 (External interrupt 2)	IMF · EF ₇ = 1	IL ₇	FFF0 _H	7
Internal	INTTC3 (8-bit TC3 interrupt)	IMF · EF ₈ = 1	IL ₈	FFEE _H	8
Internal	INTSIO1 (Serial Interface 1 interrupt)	IMF · EF ₉ = 1	IL ₉	FFEC _H	9
Internal	INTTC5 (8-bit TC5 interrupt)	IMF · EF ₁₀ = 1	IL ₁₀	FFEA _H	10
External	INT3 (External interrupt 3)	IMF · EF ₁₁ = 1	IL ₁₁	FFE8 _H	11
	reserved	IMF · EF ₁₂ = 1	IL ₁₂	FFE6 _H	12
Internal	INTSIO2 (Serial Interface 2 interrupt)	IMF · EF ₁₃ = 1	IL ₁₃	FFE4 _H	13
Internal	INTTC2 (16-bit TC2 interrupt)	IMF · EF ₁₄ = 1	IL ₁₄	FFE2 _H	14
External	INT5 (External interrupt 5)	IMF · EF ₁₅ = 1	IL ₁₅	FFE0 _H	Low 15

(1) Interrupt Latches (IL₁₅ to IL₂)

Interrupt latches are provided for each source, except for a software interrupt. The latch is set to "1" when an interrupt request is generated, and requests the CPU to accept the interrupt. The latch is cleared to "0" just after the interrupt is accepted. All interrupt latches are initialized to "0" during reset.

The interrupt latches are assigned to addresses 003C_H and 003D_H in the SFR. Each latch can be cleared to "0" individually by an instruction; however, *the read-modify-write instruction such as bit manipulation or operation instructions cannot be used* (Do not clear the IL₂ for a watchdog timer interrupt to "0"). Thus, interrupt requests can be cancelled and initialized by the program. Note that interrupt latches cannot be set to "1" by any instruction.

The contents of interrupt latches can be read out by an instruction. Therefore, testing interrupt requests by software is possible.

Example 1: Clears interrupt latches

```
DI                ; IMF ← "0"
LDW              (IL), 111010000111111B ; IL12, IL10 to IL6 ← 0
EI                ; IMF ← "1"
```

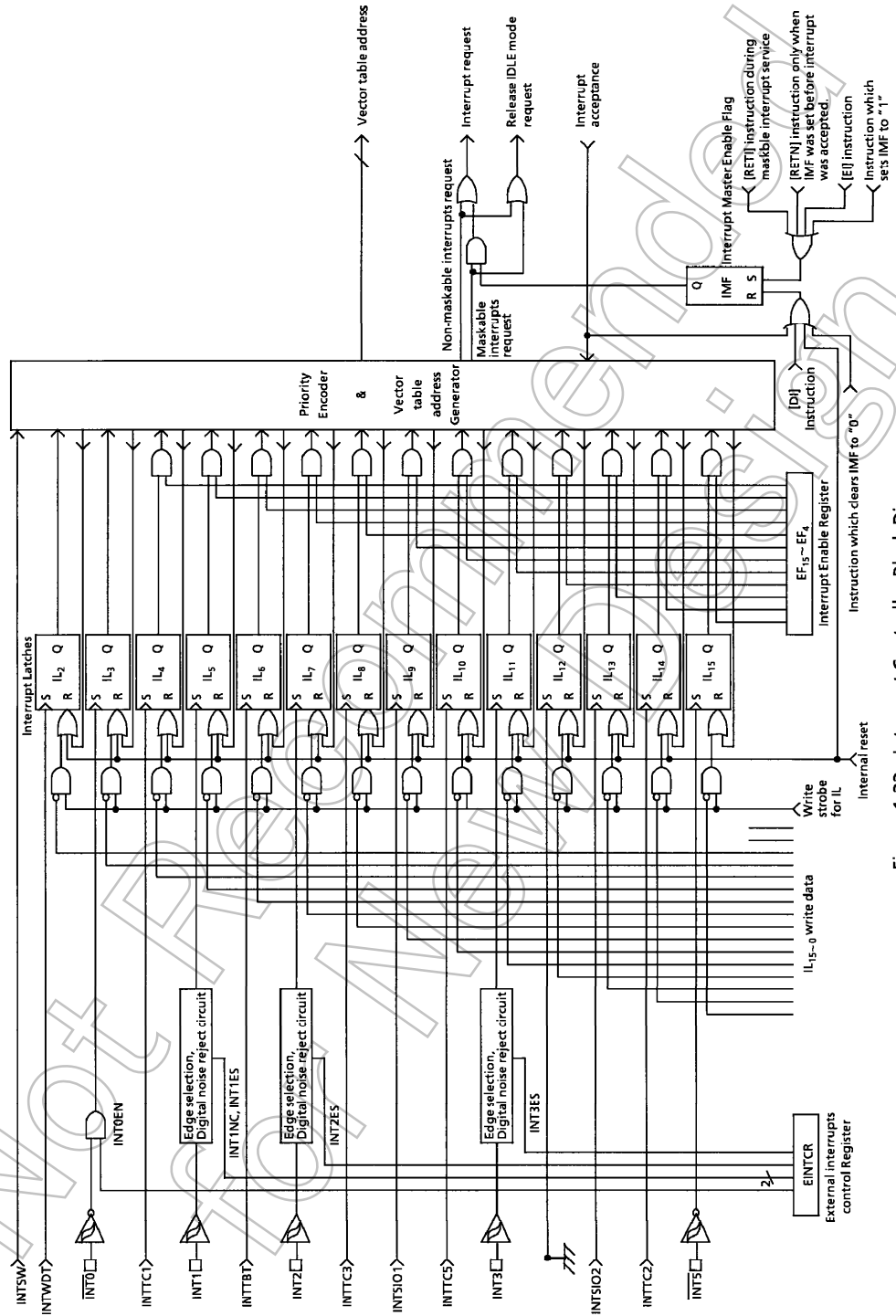


Figure 1-22. Interrupt Controller Block Diagram

Example 2: Reads interrupt latches

```
LD WA, (IL) ; W←ILH, A←ILL
```

Example 3: Tests an interrupt latch

```
TEST (IL).7 ; if IL7 = 1 then jump
JR F, SSET
```

(2) Interrupt Enable Register (EIR)

The interrupt enable registers (EIR) enable and disable the acceptance of interrupts except for the pseudo non-maskable interrupts (software and watchdog timer interrupts). Pseudo non-maskable interrupts are accepted regardless of the contents of the EIR; however, the pseudo non-maskable interrupts cannot be nested more than once at the same time.

The EIR consists of an interrupt master enable flag (IMF) and individual interrupt enable flags (EF). These registers are assigned to addresses 003A_H and 003B_H in the SFR, and can be read and written by an instruction (including read-modify-write instructions such as bit manipulation instructions).

① Interrupt Master enable Flag (IMF)

The interrupt master enable flag (IMF) enables and disables the acceptance of all interrupts, except for pseudo non-maskable interrupts. Clearing this flag to "0" disables the acceptance of all maskable interrupts. Setting to "1" enables the acceptance of interrupts. When an interrupt is accepted, this flag is cleared to "0" to temporarily disable the acceptance of maskable interrupts. After execution of the interrupt service program, this flag is set to "1" by the maskable interrupt return instruction [RETI] to again enable the acceptance of interrupts. If an interrupt request has already been occurred, interrupt service starts immediately after execution of the [RETI] instruction.

Pseudo non-maskable interrupts are returned by the [RETN] instruction. In this case, the IMF is set to "1" only when pseudo non-maskable interrupt service is started with interrupt acceptance enabled (IMF = 1). Note that IMF remains "0" when cleared in the interrupt service program.

The IMF is assigned to bit 0 at address 003A_H in the SFR, and can be read and written by an instruction. IMF is normally set and cleared by the [EI] and [DI] instructions, and the IMF is initialized to "0" during reset.

② Individual interrupt Enable Flags (EF₁₅ to EF₄)

These flags enable and disable the acceptance of individual maskable interrupts, except for an external interrupt 0. Setting the corresponding bit of an individual interrupt enable flag to "1" enables acceptance of an interrupt, setting the bit to "0" disables acceptance.

Example 1: Sets EF for individual interrupt enable, and sets IMF to "1".

```
DI ; IMF←0
LDW (EIR), 1110100010100000B ; EF15 to EF13, EF11, EF7, EF5
EI ; IMF←1
```

Example 2: Sets an individual interrupt enable flag to "1".

```
DI ; IMF←0
SET (EIRH).4 ; EF12←1
EI ; IMF←1
```

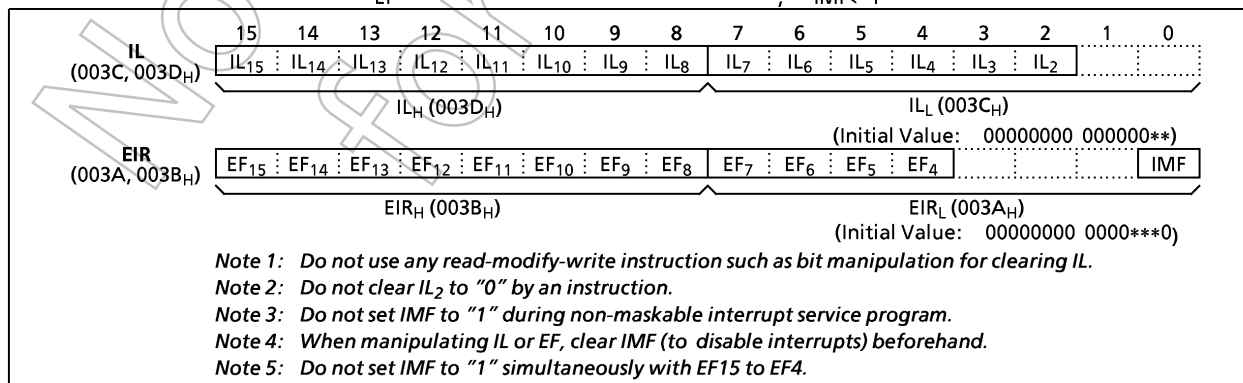


Figure 1-23. Interrupt Latch (IL) and Interrupt Enable Register (EIR)

1.9.1 Interrupt Sequence

An interrupt request is held until the interrupt is accepted or the interrupt latch is cleared to "0" by a reset or an instruction. Interrupt acceptance sequence requires 8 machine cycles (4 μ s at $f_c = 8$ MHz in NORMAL mode) after the completion of the current instruction execution. The interrupt service task terminates upon execution of an interrupt return instruction [RETI] (for maskable interrupts) or [RETN] (for pseudo non-maskable interrupts).

(1) Interrupt acceptance processing

- ① The interrupt master enable flag (IMF) is cleared to "0" to temporarily disable the acceptance of any following maskable interrupts. When a non-maskable interrupt is accepted, the acceptance of any following interrupts is temporarily disabled.
- ② The interrupt latch (IL) for the interrupt source accepted is cleared to "0".
- ③ The contents of the program counter (PC) and the program status word (PSW) are saved (pushed) onto the stack. (pushed down in order of PSW, PC_H, PC_L). The stack pointer (SP) is three decrements.
- ④ The entry address of the interrupt service program is read from the vector table address corresponding to the interrupt source, and the entry address is loaded to the program counter.
- ⑤ The instruction stored at the entry address of the interrupt service program is executed.

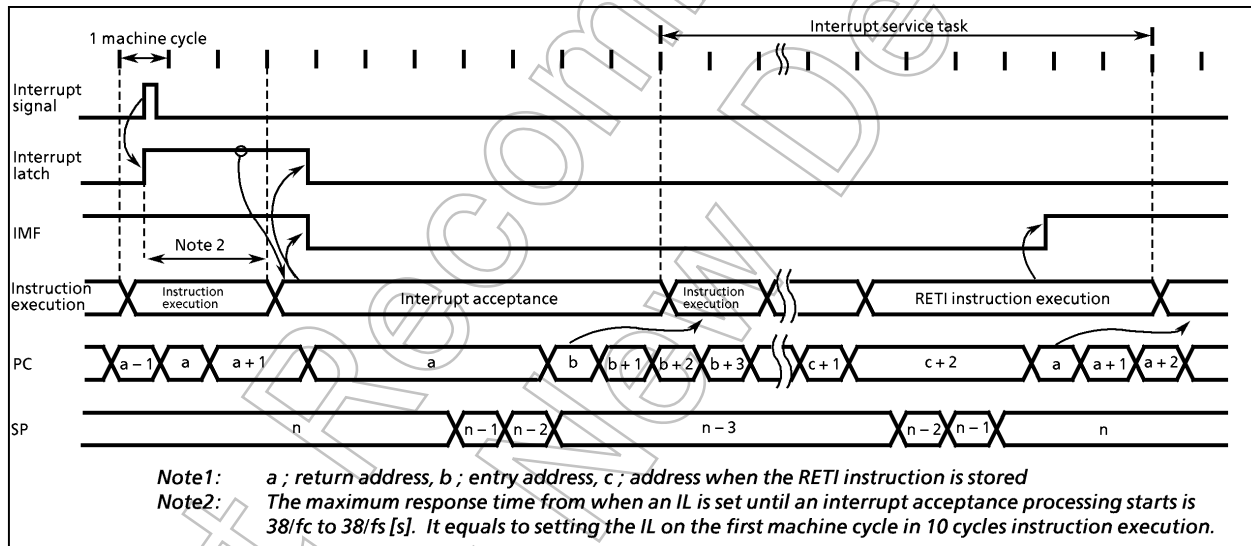
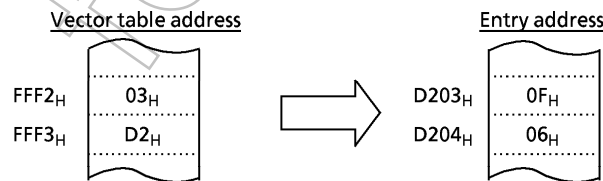


Figure 1-24. Timing Chart of Interrupt Acceptance and Interrupt Return Instruction

Example: Correspondence between vector table address for INTTBT and the entry address of the interrupt service program.



A maskable interrupt is not accepted until the IMF is set to "1" even if a maskable interrupt of higher priority than that of the current interrupt being serviced.

When nested interrupt service is necessary, the IMF is set to "1" in the interrupt service program. In this case, acceptable interrupt sources are selectively enabled by the individual interrupt enable flags. However, an acceptance of external interrupt 0 cannot be disabled by the EF; therefore, if disablement is necessary, either the external interrupt function must be disabled the external interrupt control register (INT0EN) or interrupt processing must be avoided by the program. (When INT0EN = 0, the interrupt latch IL3 is not set, therefore, the falling edge of the INT0 pin input cannot be detected.)

Example 1: Disables an external interrupt 0 using INT0EN:

```
CLR      (EINTCR), INT0EN ; INT0EN ← 0
```

Example 2: Disables the processing of external interrupt 0 under the software control (using bit 0 at address 00F0_H as the interrupt processing disable switch):

```
PINT0:   TEST      (00F0H).0 ; Returns without interrupt processing if (00F0H)0 = 1
          JRS      T, SINT0
          RETI
SINT0:   Interrupt processing
          RETI
          ⋮
VINT0:   DW      PINT0
```

(2) General-purpose register save/restore processing

During interrupt acceptance processing, the program counter and the program status word are automatically saved on the stack, but not the accumulator and other registers. These registers are saved by the program if necessary. Also, when nesting multiple interrupt services, it is necessary to avoid using the same data memory area for saving registers.

The following method is used to save/restore the general-purpose registers:

① General-purpose register save/restore by register bank changeover:

General-purpose registers can be saved at high-speed by switching to a register bank that is not in use. Normally, bank 0 is used for the main task and banks 1 to 15 are assigned to interrupt service tasks. To increase the efficiency of data memory utilization, the same bank is assigned for interrupt sources which are not nested.

The switched bank is automatically restored by executing an interrupt return instruction [RETI] or [RETN]. Therefore, it is not necessary for a program to save the RBS.

Example: Register Bank Changeover

```

PINTxx: LD RBS, n ; Switches to bank n (1 μs at 8 MHz)
        interrupt processing
        RETI ; Restores bank and Returns
    
```

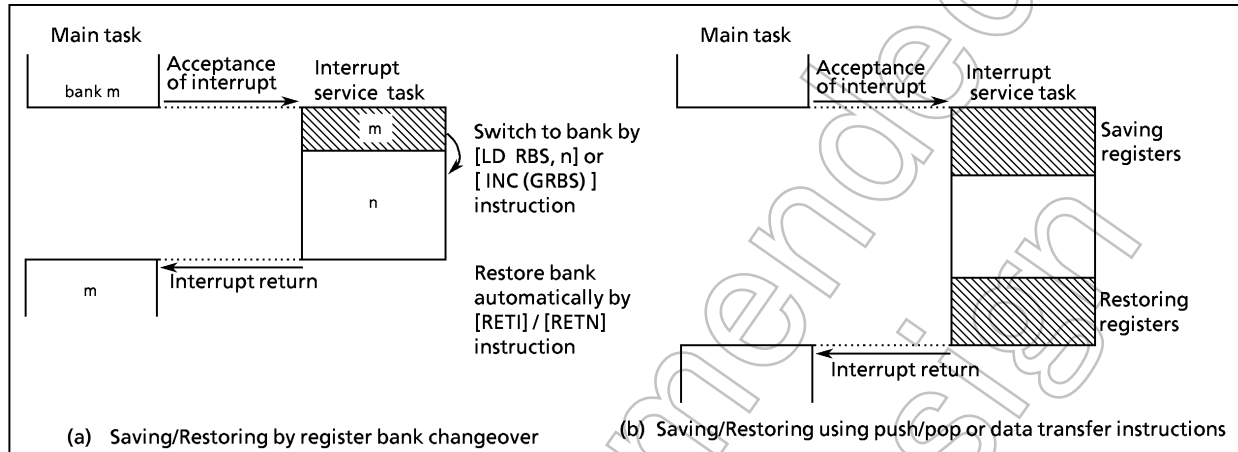
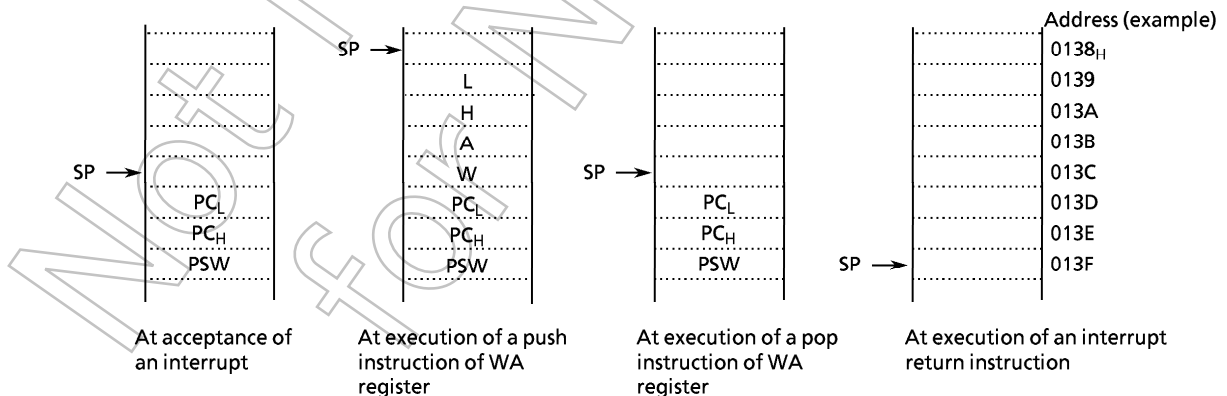


Figure 1-25. Saving/Restoring General-purpose Registers

- ② General-purpose register save/restore using push and pop instructions:
To save only a specific register, and when the same interrupt source occurs more than once, the general-purpose registers can be saved/restored using push/pop instructions.
Example: Register save using push and pop instructions

```

PINTxx: PUSH WA ; Save WA register pair
        PUSH HL ; Save HL register pair
        interrupt processing
        POP HL ; Restore HL register pair
        POP WA ; Restore WA register pair
        RETI ; Return
    
```



- ③ General-purpose registers save/restore using data transfer instruction:
Data transfer instructions can be used to save only a specific general-purpose register during processing of a single interrupt.

Example: Saving/restoring a register using data transfer instructions

```
PINTxx: LD (GSAVA), A ; Save A register
        interrupt processing
        LD A, (GSAVA) ; Restore A register
        RETI ; Return
```

The interrupt return instructions [RETI] / [RETN] perform the following operations.

[RETI] Maskable interrupt return	[RETN] Non-maskable interrupt return
① The contents of the program counter and the program status word are restored from the stack.	① The contents of the program counter and program status word are restored from the stack.
② The stack pointer is incremented 3 times.	② The stack pointer is incremented 3 times.
③ The interrupt master enable flag is set to "1".	③ The interrupt master enable flag is set to "1" only when a non-maskable interrupt is accepted in interrupt enable status. However, the interrupt master enable flag remains at "0" when so clear by an interrupt service program.

Interrupt requests are sampled during the final cycle of the instruction being executed. Thus, the next interrupt can be accepted immediately after the interrupt return instruction is executed.

Note: When the interrupt processing time is longer than the interrupt request generation time, the interrupt service task is performed but not the main task.

1.9.2 Software Interrupt (INTSW)

Executing the [SWI] instruction generates a software interrupt and immediately starts interrupt processing (INTSW is highest prioritized interrupt). However, if processing of a non-maskable interrupt is already underway, executing the SWI instruction will not generate a software interrupt but will result in the same operation as the [NOP] instruction. Thus, the [SWI] instruction behaves like the [NOP] instruction.

Note: Software interrupt generates during non-maskable interrupt processing to use SWI instruction for software break in a development tool.

Use the [SWI] instruction only for detection of the address error or for debugging.

① Address Error Detection

FF_H is read if for some cause such as noise the CPU attempts to fetch an instruction from a non-existent memory address. Code FF_H is the SWI instruction, so a software interrupt is generated and an address error is detected. The address error detection range can be further expanded by writing FF_H to unused areas of the program memory. Address trap reset is generated for instruction fetch from a part of RAM area (address 0040_H-043F_H for TMP87CM23A, 0040_H-083F_H for TMP87CP23) or SFR area (0000_H-003F_H).

② Debugging

Debugging efficiency can be increased by placing the SWI instruction at the software break point setting address.

1.9.3 External Interrupts

The TMP87CM23A/P23 have five external interrupts (INT0 to INT5: $\overline{\text{INT0}}$, INT1, INT2, INT3, $\overline{\text{INT5}}$). Three of these (INT1, INT2, INT3) have digital noise cancellation circuits (pulse inputs of less than a fixed time are cancelled as noise). Edge selection is possible with pins INT1, INT2, and INT3.

The $\overline{\text{INT0}}$ /P10 pin can be selected either as an external interrupt input pin or as an I/O port. At reset, it is initialized as an input port.

Edge selection, noise cancellation control, and $\overline{\text{INT0}}$ /P10 pin function selection are performed by the external interrupt control register 1 (EINTCR).

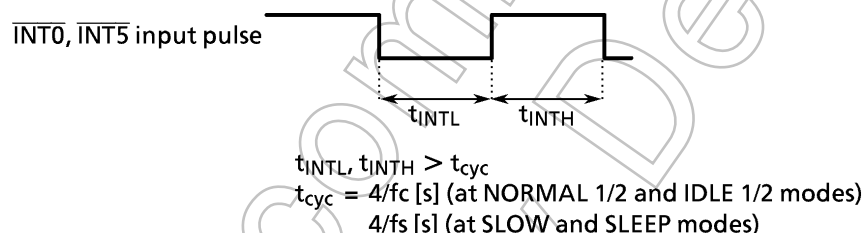
The both-edge detect function of the INT3 pin is selected by the external interrupt control register 1 (EINTCR) and the external interrupt control register 2 (EINT3CR).

Table 1-3 lists enable conditions, edge select, noise cancellation conditions. The following are notes on the usage of external interrupts:

Notes on usage of external interrupts:

Note 1: When INT0 to INT5 ($\overline{\text{INT0}}$, INT1, INT2, INT3, $\overline{\text{INT5}}$) are used in SLOW or SLEEP mode, the noise cancellation function is disabled. Noise cancellation time for a pulse input during operating mode transition is indeterminate.

Note 2: Input pulse width for $\overline{\text{INT0}}$ and $\overline{\text{INT5}}$ must be one machine cycle or more at both high and low levels.



Note 3: If a signal without noise is input to the external interrupt pin in NORMAL 1/2 or IDLE 1/2 mode, the maximum times from input signal edge to input latch set are as described below:

- ① INT1 pin
 - 49/fc [s] (when INT1NC = 1)
 - 193/fc [s] (when INT1NC = 0)
- ② INT2 pin
 - 25/fc [s]
- ③ INT3 pin
 - 25/fc [s] (when #0037H: INT3W = 0, falling or rising edge)
 - 25/fc [s] (when #0037H: INT3W = 1 and #001FH: NCS (0, 0, 0))
 - (26/fc) × 8.5 + 19/fc [s] (when #0037H: INT3W = 1 and #001FH: NCS (0, 0, 1))
 - (27/fc) × 8.5 + 19/fc [s] (when #0037H: INT3W = 1 and #001FH: NCS (0, 1, 0))
 - (28/fc) × 8.5 + 19/fc [s] (when #0037H: INT3W = 1 and #001FH: NCS (0, 1, 1))
 - (29/fc) × 8.5 + 19/fc [s] (when #0037H: INT3W = 1 and #001FH: NCS (1, 0, 0))
 - (210/fc) × 8.5 + 19/fc [s] (when #0037H: INT3W = 1 and #001FH: NCS (1, 0, 1))
 - (211/fc) × 8.5 + 19/fc [s] (when #0037H: INT3W = 1 and #001FH: NCS (1, 1, 0))
 - (212/fc) × 8.5 + 19/fc [s] (when #0037H: INT3W = 1 and #001FH: NCS (1, 1, 1))

Note 4: Noise cancellation/pulse receive conditions for timer/counter are as described below:

- ① TC1 pin: Less than 7/fc [s] (noise cancellation) and 24/fc [s] or more (pulse receive)
- ② TC3 pin: When INT3W = 0, less than 7/fc [s] (noise cancellation) and 24/fc [s] or more (pulse receive).
For when INT3W = 1, see Table 1-4.

Note 5: When INTOEN = 0, interrupt latch IL3 is not set even if a falling edge is detected for $\overline{\text{INT0}}$ pin input.

Note 6: Change EINTCR only when IMF=0. After changing EINTCR, interrupt latches of external interrupt inputs must be cleared to "0" using load instruction.

Example: Changes INT2 edge selection from rising edge to falling edge

```
DI                                     ; IMF ← 0 (disables interrupt service)
LD (EINTCR), 10000110B                ; INT2ES ← 1 (changes edge selection)
LD (ILL), 01111111B                   ; IL7 ← 0 (clears interrupt latch)
EI                                     ; IMF ← 1 (enables interrupt service)
```

Note 7: If changing the contents of INT1ES during NORMAL1/2 mode, interrupt latch of external interrupt input INT1 must be cleared after 14 machine cycles (when INT1NC = 1) or 50 machine cycles (when INT1NC = 0) from the time of changing. During SLOW mode, 3 machine cycles are required.

Note 8: In order to change of external interrupt input by rewriting the contents of INT2ES and INT3ES during NORMAL1/2 mode, clear interrupt latches of external interrupt inputs (INT2 and INT3) after 8 machine cycles from the time of rewriting. During SLOW mode, 3 machine cycles are required.

Note 9: In order to change an edge of timer counter input by rewriting the contents of INT2ES and INT3ES during NORMAL1/2 mode, rewrite the contents after timer counter is stopped (TC*s = 0), that is, interrupt disable state. Then, clear interrupt latches of external interrupt inputs (INT2 and INT3) after 8 machine cycles from the time of rewriting to change to interrupt enable state. Finally, start timer counter. During SLOW mode, 3 machine cycles are required.

Example: When changing TC1 pin inputs edge in external trigger timer mode from rising edge to falling edge.

```
LD (TC1CR), 01001000B                ; TC1S ← 00 (stop TC1)
DI                                     ; IMF ← 0 (disable interrupt service)
LD (EINTCR), 00000100B                ; INT2ES ← 1 (change edge selection)
NOP
↑
8 machine cycles
↓
NOP
LD (ILL), 01111111B                   ; IL7 ← 0 (clear interrupt latch)
EI                                     ; IMF ← 1 (enable interrupt service)
LD (TC1CR), 01111000B                ; TC1S ← 11 (start TC1)
```

Note 10: When high-impedance is specified for port output in stop mode, port input is forcibly fixed to low level internally. Thus, interrupt latches of external interrupt inputs except INT5 (P20/STOP) which are also used as ports may be set to "1". To specify high-impedance for port output in stop mode, first disable interrupt service (IMF = 0), activate stop mode. After releasing stop mode, clear interrupt latches using load instruction, then, enable interrupt service.

Example: Activating stop mode

```
LD (SYSCR1), 01000000B                ; OUTEN ← 0 (specifies high-impedance)
DI                                     ; IMF ← 0 (disables interrupt service)
SET (SYSCR1). STOP                     ; STOP ← 1 (activates stop mode)
LDW (IL), 1111011101010111B          ; IL11, 7, 5, 3 ← 0 (clears interrupt latches)
EI                                     ; IMF ← 1 (enables interrupt service)
```

Table 1-3 (a). External Interrupts

SOURCE	Pin	Secondary function	Enable Condition	Edge			Digital noise reject
				rising	falling	both	
INT0	INT0	P10	IMF = 1, INT0EN = 1	—	○	—	— (hysteresis input)
INT1	INT1	P11	IMF · EF ₅ = 1	INT1ES = 0	INT1ES = 1	—	Note 1)
INT2	INT2	P12 / TC1	IMF · EF ₇ = 1	INT2ES = 0	INT2ES = 1	—	Note 2)
INT3	INT3	P40 / TC3	IMF · EF ₁₁ = 1, INT3W = 0	INT3ES = 0	INT3ES = 1	—	Note 3)
			IMF · EF ₁₁ = 1, INT3W = 1	—	—	INT3W = 1 (Note)	Note 4)
INT5	INT5	P20 / STOP	IMF · EF ₁₅ = 1	—	○	—	— (hysteresis input)

Note 1: Pulses less than 15/fc [s] or 63/fc [s] are cancelled as noise. Pulses equal to or more than 48/fc [s] or 192/fc [s] are regarded as signals.

Note 2: Pulses less than 7/fc [s] are cancelled as noise. Pulses equal to or more than 24/fc [s] are regarded as signals. Same applies to pin TC1.

Note 3: For falling or rising edge, pulses less than 7/fc [s] are cancelled as noise. Pulses equal to or more than 24/fc [s] are regarded as signals. Same applies to pin TC3 (at one edge).

Note 4: Noise cancellation conditions are as listed in Table 1-3 (b). They are applied to the INT3 pin when it is used for both-edge interrupts.

Note: To detect the edge at which an interrupt is generated, read bit 7 (INTEDT) in eint3cr (#001F_H), that is, at the beginning of the interrupt processing routine. INTEDT is valid only for both-edge interrupts (INT3W = 1). INTEDT is set to 1 by an interrupt as the non-selected edge; cleared to 0 after read automatically. For both-edge interrupts, rising or falling edge is selected by setting/modifying bit 3 (INT3ES) in EINTCR (#0037_H). When rising edge is selected (INT3ES = 0), bit 7 in INTEDT (#001F_H) is set to 1 when a falling edge is detected at the INT3 pin. (That is, remains 0 if rising edge is detected.) When falling edge is selected (INT3ES = 1), bit 7 in INTEDT: #001F_H is set to 1 when a rising edge is detected at the INT3 pin. (That is, remains 0 at falling edge.)

Table 1-3 (b). Noise reject condition for INT3 (both-edge interrupt)

EINT3CR			max. pulse width for noise reject	min. pulse width for immediate signal
NCS2	NCS1	NCS0		
0	0	0	— (hysteresis input)	
0	0	1	$(2^6/fc) \times 7 - 6/fc$	$(2^6/fc) \times 8 + 5/fc$
0	1	0	$(2^7/fc) \times 7 - 6/fc$	$(2^7/fc) \times 8 + 5/fc$
0	1	1	$(2^8/fc) \times 7 - 6/fc$	$(2^8/fc) \times 8 + 5/fc$
1	0	0	$(2^9/fc) \times 7 - 6/fc$	$(2^9/fc) \times 8 + 5/fc$
1	0	1	$(2^{10}/fc) \times 7 - 6/fc$	$(2^{10}/fc) \times 8 + 5/fc$
1	1	0	$(2^{11}/fc) \times 7 - 6/fc$	$(2^{11}/fc) \times 8 + 5/fc$
1	1	1	$(2^{12}/fc) \times 7 - 6/fc$	$(2^{12}/fc) \times 8 + 5/fc$

Note: In SLOW mode, set (NCS) = (0, 0, 0).

In SLOW mode, the digital noise filter in the above table is disabled.

External interrupt Control Register 1

EINTCR (0037 _H)	7	6	5	4	3	2	1	0	(initial value: 00** 0000)
	INT1 NC	INT0 EN			INT3 ES	INT2 ES	INT1 ES	INT3W	

INT1NC	Noise reject time select	0: Pulses of less than $63 / f_c$ [s] are eliminated as noise 1: Pulses of less than $15 / f_c$ [s] are eliminated as noise	R/W
INT0EN	P10/ $\overline{\text{INT0}}$ pin configuration	0: P10 input/output 1: $\overline{\text{INT0}}$ pin (port P10 should be set to an input mode)	
INT3ES INT2ES INT1ES	INT3 to INT1 edge select	0: rising edge 1: falling edge	
INT3W	INT3 both edge selection	0: refer to INT3ES 1: both edge detection	

Note 1: f_c ; High-frequency clock [Hz] *; Don't care

Figure 1-26 (a) External Interrupt Control Register

External interrupt Control Register 2

EINT3CR (001F _H)	7	6	5	4	3	2	1	0	(initial value: 0000 0***)
	INT EDT		NCS		INT3 DET				

INTEDT	Flag indicating an interrupt at selected edge/non-selected edge, when INT3W = 1 (for both-edge interrupts).	0: Interrupt at selected edge or no interrupt 1: Interrupt at non-selected edge	R
NCS	Noise cancellation time select for INT3 digital noise filter (valid only when INT3W = 1)	000: No noise cancellation 001: Cancels ($2^6 / f_c \times 7 - 6 / f_c$) as noise. 010: Cancels ($2^7 / f_c \times 7 - 6 / f_c$) as noise. 011: Cancels ($2^8 / f_c \times 7 - 6 / f_c$) as noise. 100: Cancels ($2^9 / f_c \times 7 - 6 / f_c$) as noise. 101: Cancels ($2^{10} / f_c \times 7 - 6 / f_c$) as noise. 110: Cancels ($2^{11} / f_c \times 7 - 6 / f_c$) as noise. 111: Cancels ($2^{12} / f_c \times 7 - 6 / f_c$) as noise.	R/W
INT3DET	INT3 interrupt detection flag	0: No interrupt 1: Interrupt	R

Note 1: INTEDT and NCS are valid only when the INT3W bit in EINTCR (#0037_H) is set to 1. Therefore, when INT3W = 0, the digital noise filter set by the NCS bit is disabled.

Figure 1-26 (b). External Interrupt Control Register 2

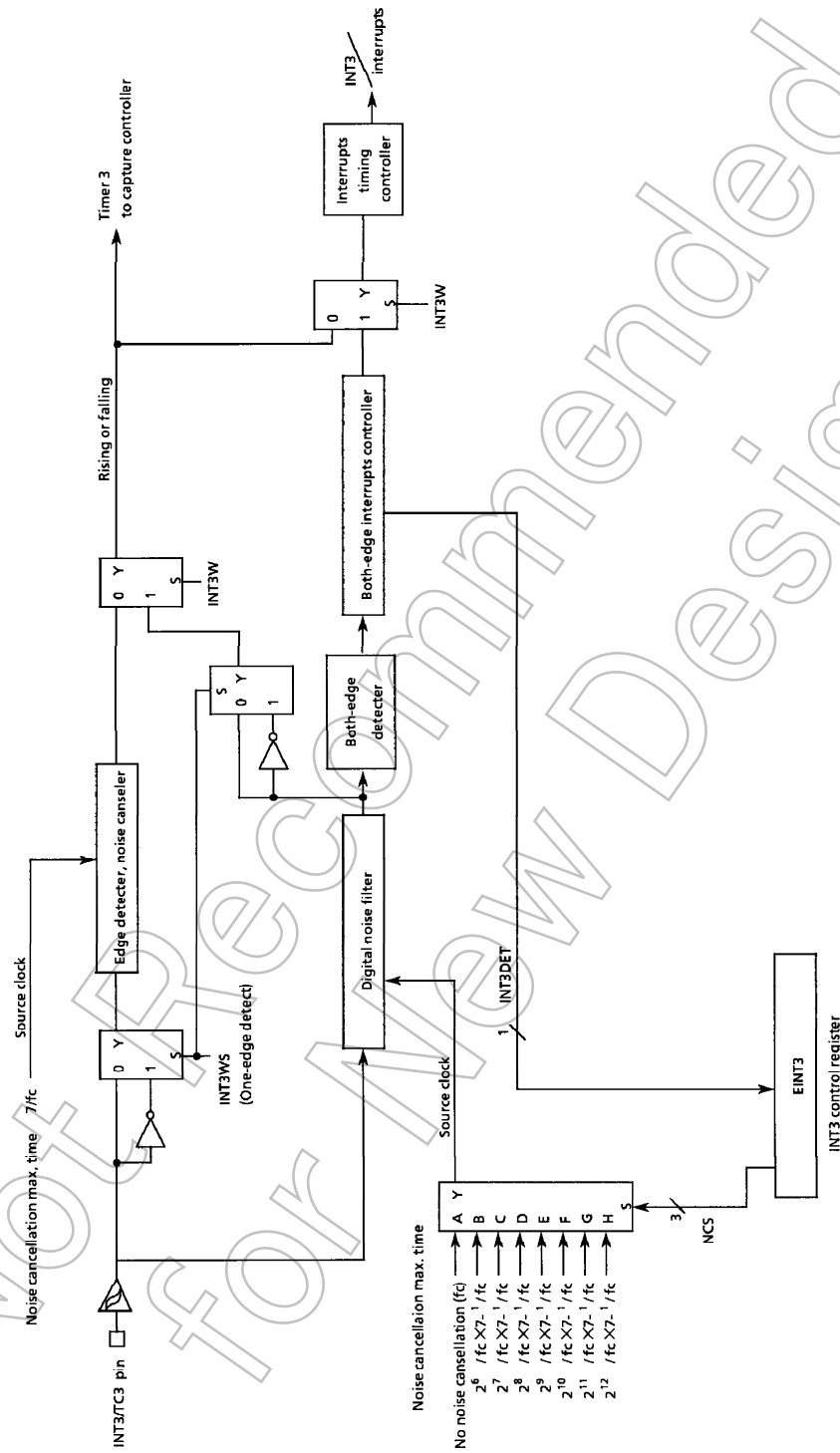


Figure 1-26 (c). Both One Edge Detector of INT3/TC3 Pin

Notes on the usage of INT3 pin (external interrupt)

1. In the case of using the INT3 pin for one edge (either rising or falling).

Note: In order to set/rewrite external interrupt control register(EINTCR), set / rewrite external interrupt register in the interrupt disable state (IMF=0). Then, enable interrupt acceptance after interrupt latch cleared.

2. In the case of using the INT3 pin for both edge (rising and falling).

Note 1: When using the INT3 pin for both edges (rising and falling), set bit 0 (INT3W) in EINTCR (#0037H) to 1.

Note 2: To detect the edge at which an interrupt is generated, read bit 7 (INTEDT) in EINT3CR (#001FH), that is, at the beginning of the interrupt processing routine.

Note 3: INTEDT is valid only for both-edge interrupts (INT3W = 1). INTEDT is set to 1 by an interrupt as the non-selected edge; cleared to 0 after read automatically.

When rising edge is selected (INT3ES = 0), bit 7 in INTEDT (#001FH) is set to 1 when a falling edge is detected at the INT3 pin. (That is, remains 0 if rising edge is detected.)

When falling edge is selected (INT3ES = 1), bit 7 in INTEDT: #001FH is set to 1 when a rising edge is detected at the INT3 pin. (That is, remains 0 at falling edge.)

Note 4: In order to set/rewrite external interrupt control register(EINTCR), set / rewrite external interrupt register in the interrupt disable state (IMF=0). Then, enable interrupt acceptance after interrupt latch cleared.

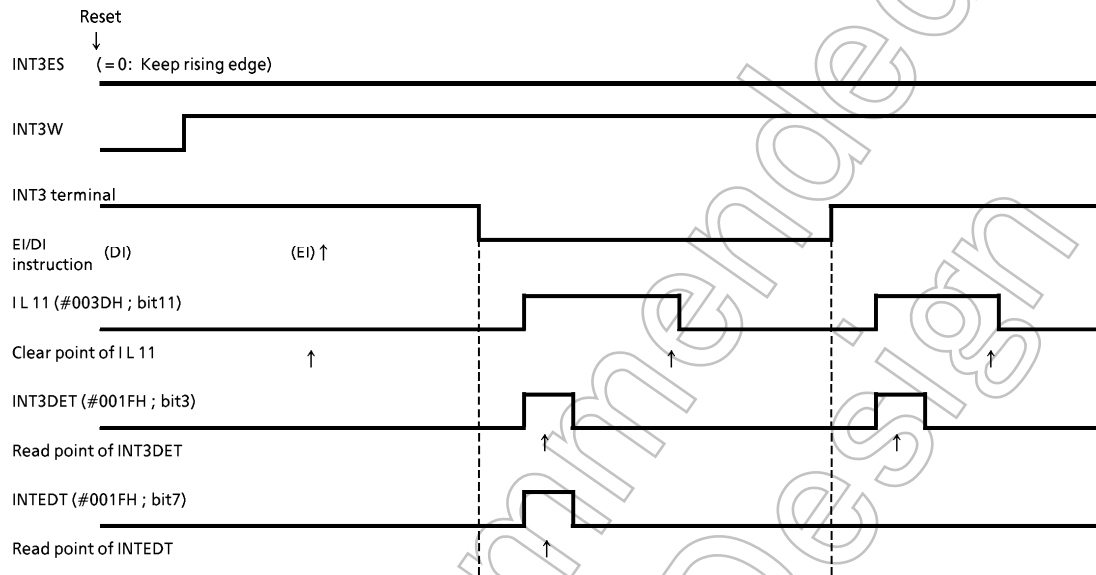
Not Recommended for New Design

Operation description for INT3 (both-edge interrupt) in use:

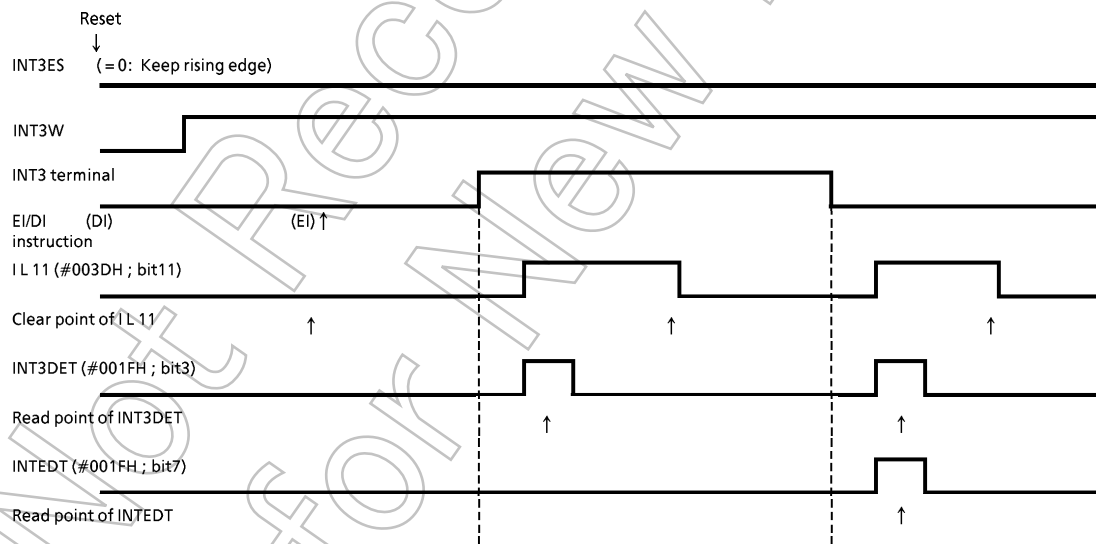
1. Operation without setting/modifying external interrupt control register (EINTCR) after reset:

For both-edge interrupts, rising edge is selected (INT3ES = 0) and fixed.

1) Case1: When the initial state of the INT3 pin is high after reset:

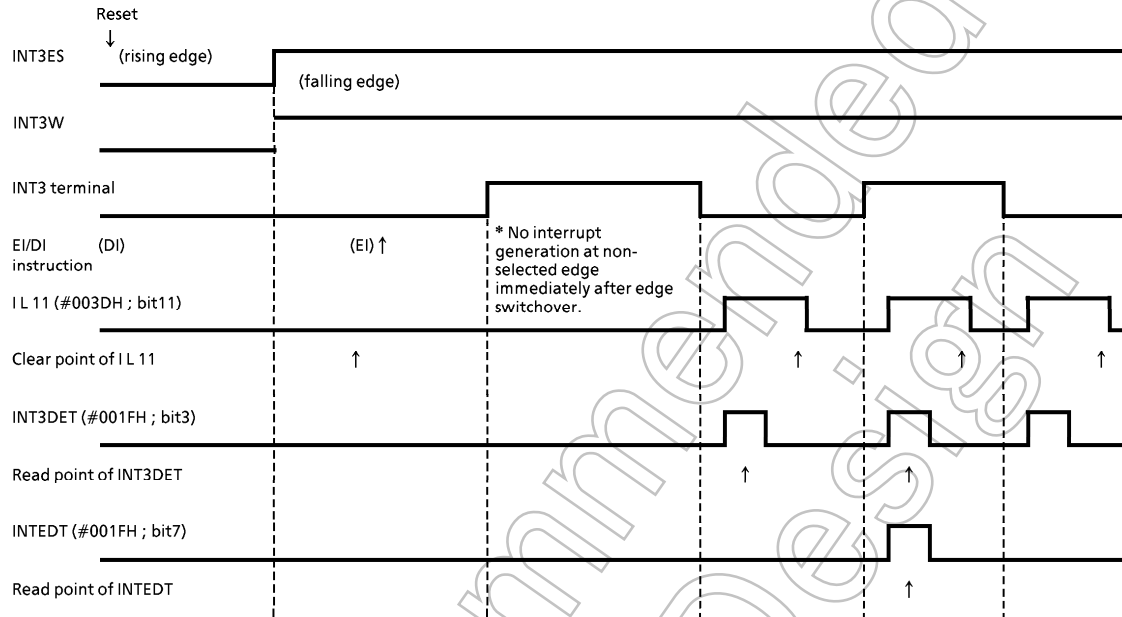


2) Case2: When the initial state of the INT3 pin is low after reset:

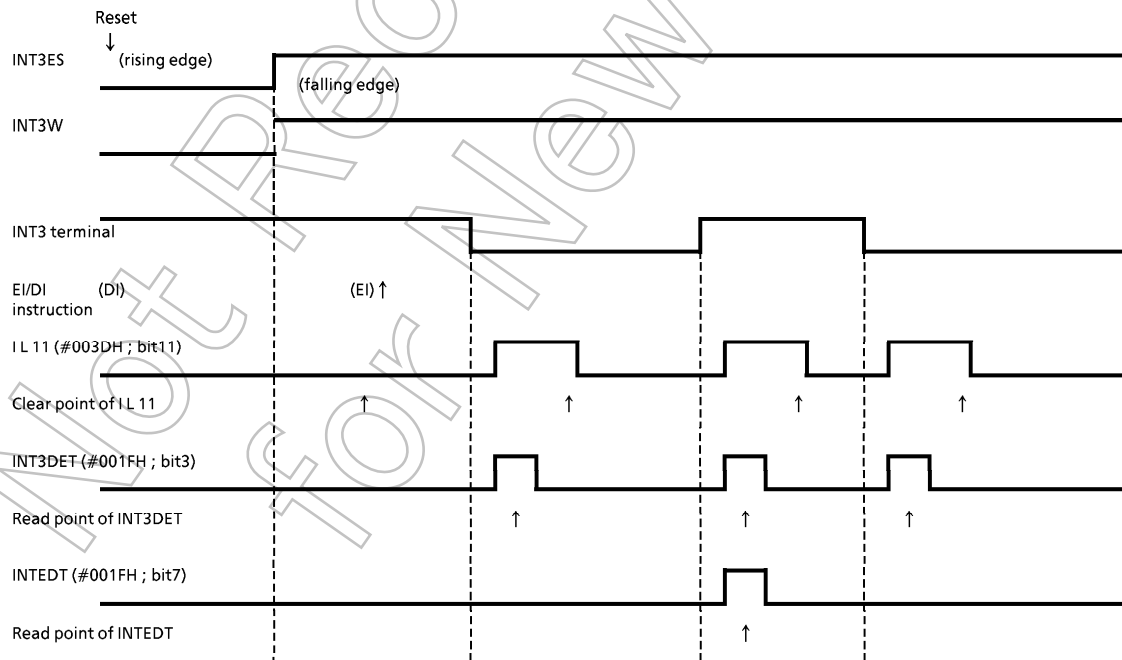


2. Operation with setting/modifying external interrupt control register (EINTCR) after reset:

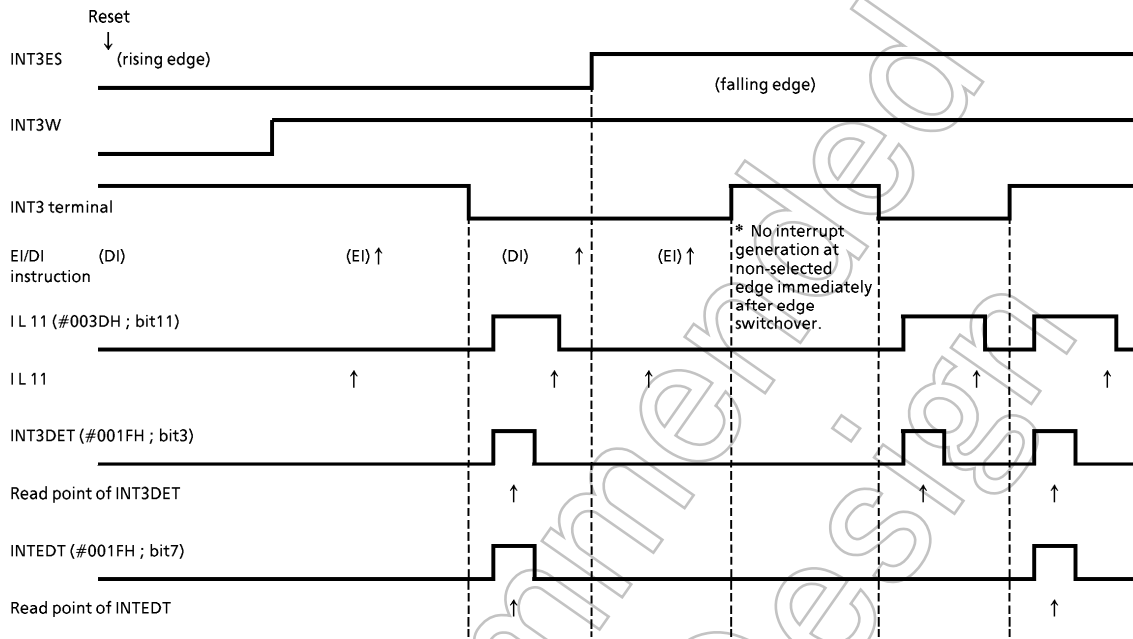
1) Case3: When the initial state of the INT3 pin is low after reset/low at edge switchover from rising to falling:



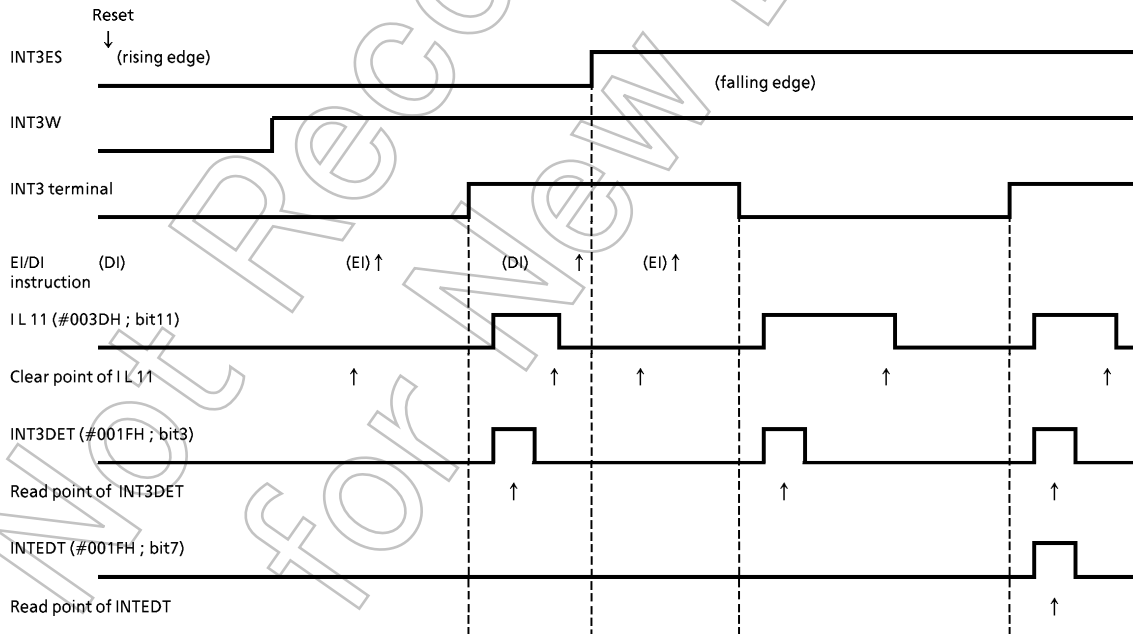
2) Case4: When the initial state of the INT3 pin is high after reset/high at edge switchover from rising to falling:



3) Case5: Case 5: When the initial state of the INT3 pin is high after reset/low at edge switchover from rising to falling:



4) Case6: When the initial state of the INT3 pin is low after reset/high at edge switchover from rising to falling:



1.10 Watchdog Timer (WDT)

The watchdog timer rapidly detects the CPU malfunction such as endless looping caused by noise or the like, and resumes the CPU to the normal state.

The watchdog timer signal for detecting malfunction can be selected either a reset output or a non-maskable interrupt request. However, selection is possible only once after reset. At first the reset output is selected.

When the watchdog timer is not being used for malfunction detection, it can be used as a timer to generate an interrupt at fixed intervals.

Note: Care must be given in system design so as to protect the Watchdog Timer from disturbing noise. Otherwise the Watchdog Timer may not fully exhibit its functionality.

1.10.1 Watchdog Timer Configuration

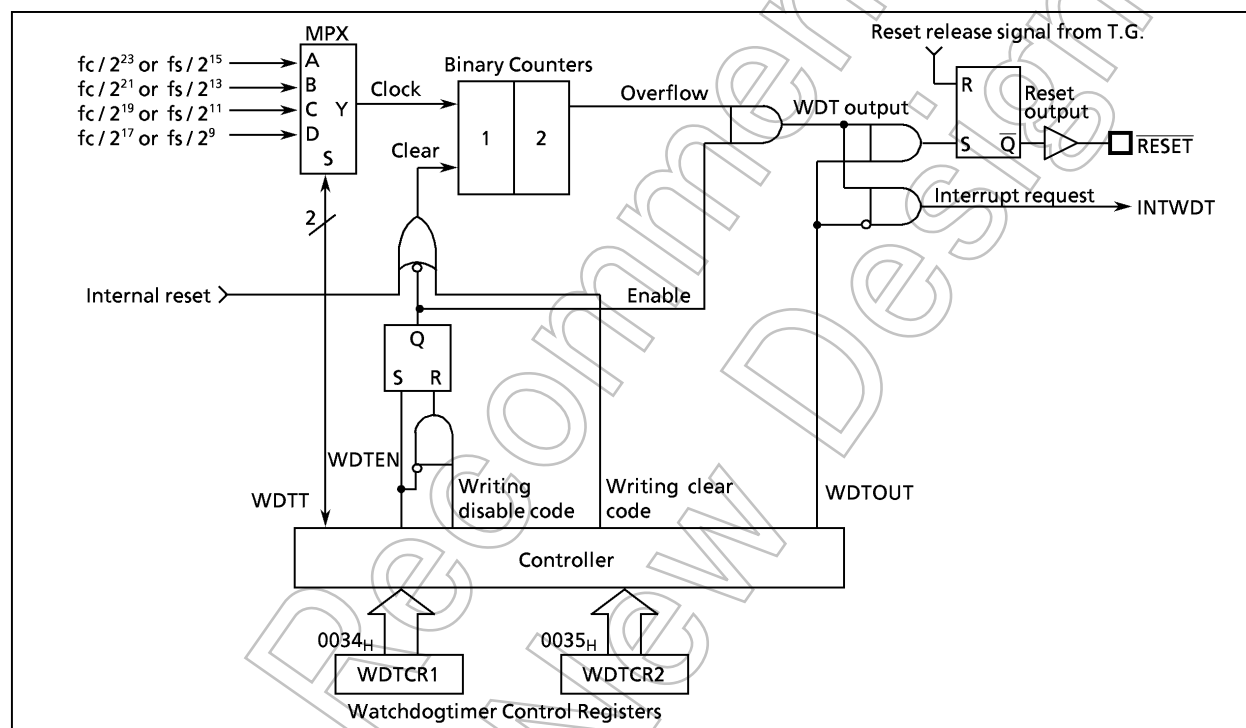


Figure 1-27. Watchdog Timer Configuration

1.10.2 Watchdog Timer Control

Figure 1-28 shows the watchdog timer control registers (WDTCR1, WDTCR2). The watchdog timer is automatically enabled after reset.

(1) Malfunction detection methods using the watchdog timer

The CPU malfunction is detected as follows.

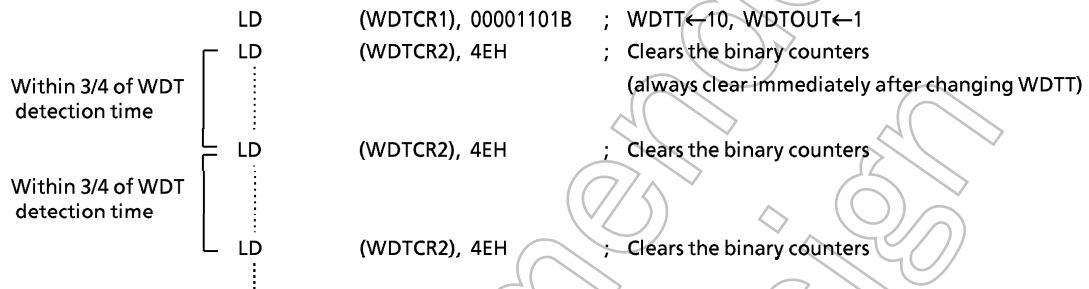
- ① Setting the detection time, selecting output, and clearing the binary counter.
- ② Repeatedly clearing the binary counter within the setting detection time.

If the CPU malfunction occurs for any cause, the watchdog timer output will become active at the rising of an overflow from the binary counters unless the binary counters are cleared. At this time, when $WDTOUT = 1$ a reset is generated, which drives the \overline{RESET} pin low to reset the internal hardware and the external circuits. When $WDTOUT = 0$, a watchdog timer interrupt (INTWDT) is generated.

The watchdog timer temporarily stops counting in the STOP mode including warm-up or IDLE mode, and automatically restarts (continues counting) when the STOP/IDLE mode is released.

Note: The watchdog timer consists of an internal divider and a two-stage binary counter. When clear code 4EH is written, only the binary counter is cleared, not the internal divider. Depending on the timing at which clear code 4EH is written on the WDTCR2 register, the overflow time of the binary counter may be at minimum 3/4 of the time set in WDTCR1 <WDTT>. Thus, write the clear code using a shorter cycle than 3/4 of the time set in WDTCR1 <WDTT>.

Example: Sets the watchdog timer detection time to $2^{21}/fc$ [s] and resets the CPU malfunction.



Watchdog Timer Control Register 1

WDTCR1 (0034 _H)	7	6	5	4	3	2	1	0	(Initial value: **** 1001)
				WDT EN	WDTT		WDT OUT		
WDTEN	Watchdog timer enable/disable							0: Disable (It is necessary to write the disable code to WDTCR2) 1: Enable	write only
WDTT	Watchdog timer detection time							00: $2^{25}/fc$ or $2^{17}/fs$ [s] 01: $2^{23}/fc$ or $2^{15}/fs$ 10: $2^{21}/fc$ or $2^{13}/fs$ 11: $2^{19}/fc$ or $2^{11}/fs$	
WDTOUT	Watchdog timer output select							0: Interrupt request 1: Reset output	

- Note 1: WDTOUT cannot be set to "1" by program after clearing WDTOUT to "0".
- Note 2: fc ; High-frequency clock [Hz] fs ; Low-frequency clock [Hz] * ; Don't care
- Note 3: WDTCR1 is a write-only register and must not be used with any of read-modify-write instructions.
- Note 4: The watchdog timer must be disabled or the counter must be cleared immediately before entering to the STOP mode. When the counter is cleared, the counter must be cleared again immediately after releasing the STOP mode.

Watchdog Timer Control Register 2

WDTCR2 (0035 _H)	7	6	5	4	3	2	1	0	(Initial value: **** ***)
WDTCR2	Watchdog timer control code write register							4EH: Watchdog timer binary counter clear (clear code) B1H: Watchdog timer disable (disable code) Others: Invalid	write only

- Note 1: The disable code is invalid unless written when WDTEN = 0.
- Note 2: * ; Don't care
- Note 3: Since WDTCR2 is a write-only register, read-modify-write instructions (e.g., bit manipulating instructions such as SET or CLR and arithmetic instructions such as AND or OR) cannot be used for read/write to this register.
- Note 4: Write clear code 4EH within 3/4 of the time set in WDTCR1 <WDTT>.

Figure 1-28. Watchdog Timer Control Registers

Table 1-4. Watchdog Timer Detection Time

Operating mode			Detection time	
NORMAL1	NORMAL2	SLOW	At $f_c = 8\text{MHz}$	At $f_s = 32.768\text{kHz}$
$2^{25} / f_c$ [s]	$2^{25} / f_c, 2^{17} / f_s$	$2^{17} / f_s$	4.194 s	4 s
$2^{23} / f_c$	$2^{23} / f_c, 2^{15} / f_s$	$2^{15} / f_s$	1.048 ms	1 s
$2^{21} / f_c$	$2^{21} / f_c, 2^{13} / f_s$	—	262.1 ms	250 ms
$2^{19} / f_c$	$2^{19} / f_c, 2^{11} / f_s$	—	65.5 ms	62.5 ms

(2) Watchdog Timer Enable

The watchdog timer is enabled by setting WDTEN (bit 3 in WDTCR1) to "1". WDTEN is initialized to "1" during reset, so the watchdog timer operates immediately after reset is released.

Example: Enables watchdog timer

```
LD      (WDTCR1), 00001000B      ; WDTEN←1
```

(3) Watchdog Timer Disable

The watchdog timer is disabled by writing the disable code (B1_H) to WDTCR2 after clearing WDTEN (bit 3 in WDTCR1) to "0". The watchdog timer is not disabled if this procedure is reversed and the disable code is written to WDTCR2 before WDTEN is cleared to "0". During disabling the watchdog timer, the binary counters are cleared to "0".

Example: Disables watchdog timer

```
LDW     (WDTCR1), 0B101H        ; WDTEN←0, WDTCR1←disable code
```

1.10.3 Watchdog Timer Interrupt (INTWDT)

This is a pseudo non-maskable interrupt which can be accepted regardless of the contents of the EIR. If a watchdog timer interrupt or a software interrupt is already accepted, however, the new watchdog timer interrupt waits until the previous interrupt processing is completed (the end of the [RETN] instruction execution).

The stack pointer (SP) should be initialized before using the watchdog timer output as an interrupt source with WDTOUT.

Example: Watchdog timer interrupt setting up.

```
LD      SP, 043FH                ; Sets the stack pointer
LD      (WDTCR1), 00001000B      ; WDTOUT←0
```

1.10.4 Watchdog timer Reset

If the watchdog timer output becomes active, a reset is generated, which drives the $\overline{\text{RESET}}$ pin low to reset the internal hardware. The reset output time is $2^{20}/f_c$ [s] (131 ms at $f_c = 8$ MHz). The $\overline{\text{RESET}}$ pin is sink open drain input / output with pull-up resistor.

Note: The high-frequency clock oscillator also turns on when a watchdog timer reset is generated in SLOW mode. Thus, the reset output time is $2^{20}/f_c$. The reset output time include a certain amount of error if there is any fluctuation of the oscillation frequency when the high-frequency clock oscillator turns on. Thus, the reset output time must be considered approximate value.

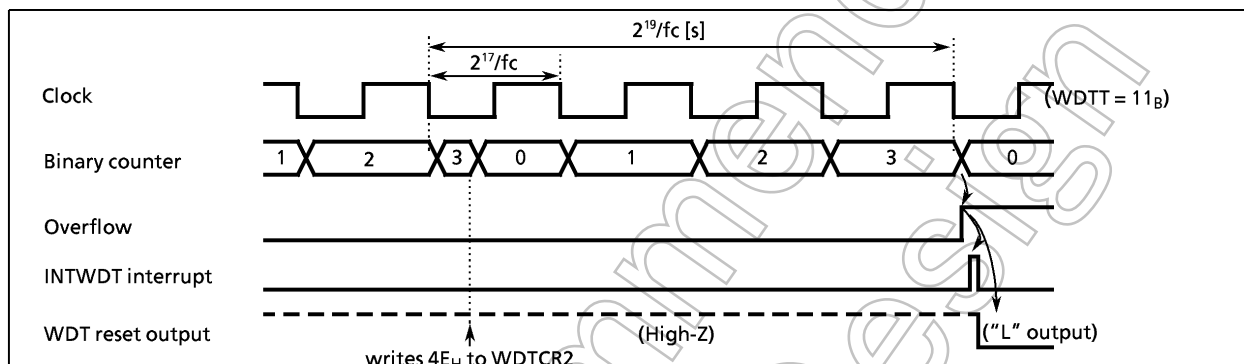


Figure 1-29. Watchdog timer Interrupt / Reset

1.11 Reset Circuit

The TMP87CM23A/P23 each have four types of reset generation procedures: an external reset input, an address trap reset, a watchdog timer reset and a system clock reset. Table 1-5 shows on-chip hardware initialization by reset action. The internal source reset circuit (watchdog timer reset, address trap reset, and system clock reset) is not initialized when power is turned on. Thus, output from the $\overline{\text{RESET}}$ pin may go low ($2^{20}/f_c$ [s] (131 ms at 8 MHz) when power is turned on.

Table 1-5. Initializing Internal Status by Reset Action

On-chip Hardware	Initial Value	On-chip Hardware	Initial Value
Program counter (PC)	(FFFF _H) · (FFFE _H)	Divider of Timing generator	0
Register bank selector (RBS)	0	Watchdog timer	Enable
Jump status flag (JF)	1	Output latches of I/O ports	Refer to I/O port circuitry
Interrupt master enable flag (IMF)	0	Control registers	Refer to each of control register
Interrupt individual enable flags (EF)	0		
Interrupt latches (IL)	0		

1.11.1 External Reset Input

When the $\overline{\text{RESET}}$ pin is held at low for at least 3 machine cycles ($12/f_c$ [s]) with the power supply voltage within the operating voltage range and oscillation stable, a reset is applied and the internal state is initialized.

When the $\overline{\text{RESET}}$ pin input goes high, the reset operation is released and the program execution starts at the vector address stored at addresses $\text{FFFE}_H - \text{FFFF}_H$. The $\overline{\text{RESET}}$ pin contains a Schmitt trigger (hysteresis) with an internal pull-up resistor. A simple power-on-reset can be applied by connecting an external capacitor and a diode.

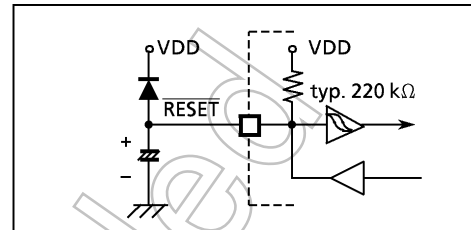


Figure 1-30. Simple Power-on-Reset Circuitry

1.11.2 Address-Trap-Reset

An address-trap-reset is one of fail-safe function that detects CPU malfunction such as endless looping caused by noise or the like, and returns the CPU to the normal state. If the CPU attempts to fetch an instruction from a part of RAM or SFRs (address $0000_H - 043F_H$ for TMP87CM23A, $0000_H - 083F_H$ for TMP87CP23), an address-trap-reset will be generated. Then, the $\overline{\text{RESET}}$ pin output will go low. The reset time is $2^{20}/f_c$ [s] (131 ms at 8 MHz).

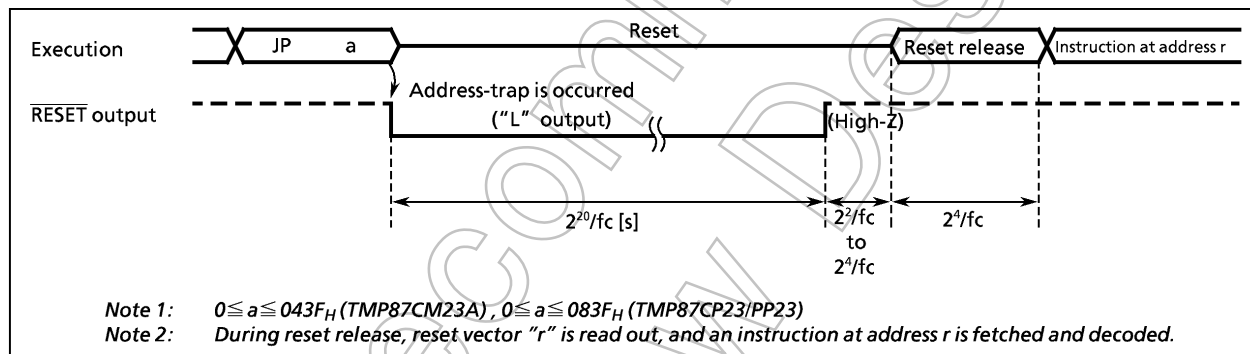


Figure 1-31. Address-Trap-Reset

1.11.3 Watchdog Timer Reset

Refer to Section "1.10 Watchdog Timer".

1.11.4 System-Clock-Reset

Clearing both XEN and XTEN (bits 7 and 6 in SYSCR2) to "0" stops both high-frequency and low-frequency oscillation, and causes the MCU to deadlock. This can be prevented by automatically generating a reset signal whenever $\text{XEN} = \text{XTEN} = 0$ is detected to continue the oscillation. Then, the $\overline{\text{RESET}}$ pin output goes low from high-impedance. The reset time is $2^{20}/f_c$ [s] (131 ms at 8 MHz).

2. PERIPHERAL HARDWARE FUNCTIONS

2.1 Special Function Registers (SFR) and Data Buffer Registers (DBR)

The TLCS-870 Series uses the memory mapped I/O system, and all peripherals control and data transfers are performed through the special function registers (SFR) and data buffer registers (DBR).

The SFR are mapped to addresses 0000_H to 003F_H and the DBR to addresses 0F80_H – 0FFF_H.

Figure 2-1 shows the TMP87CM23A/P23 SFRs and DBRs.

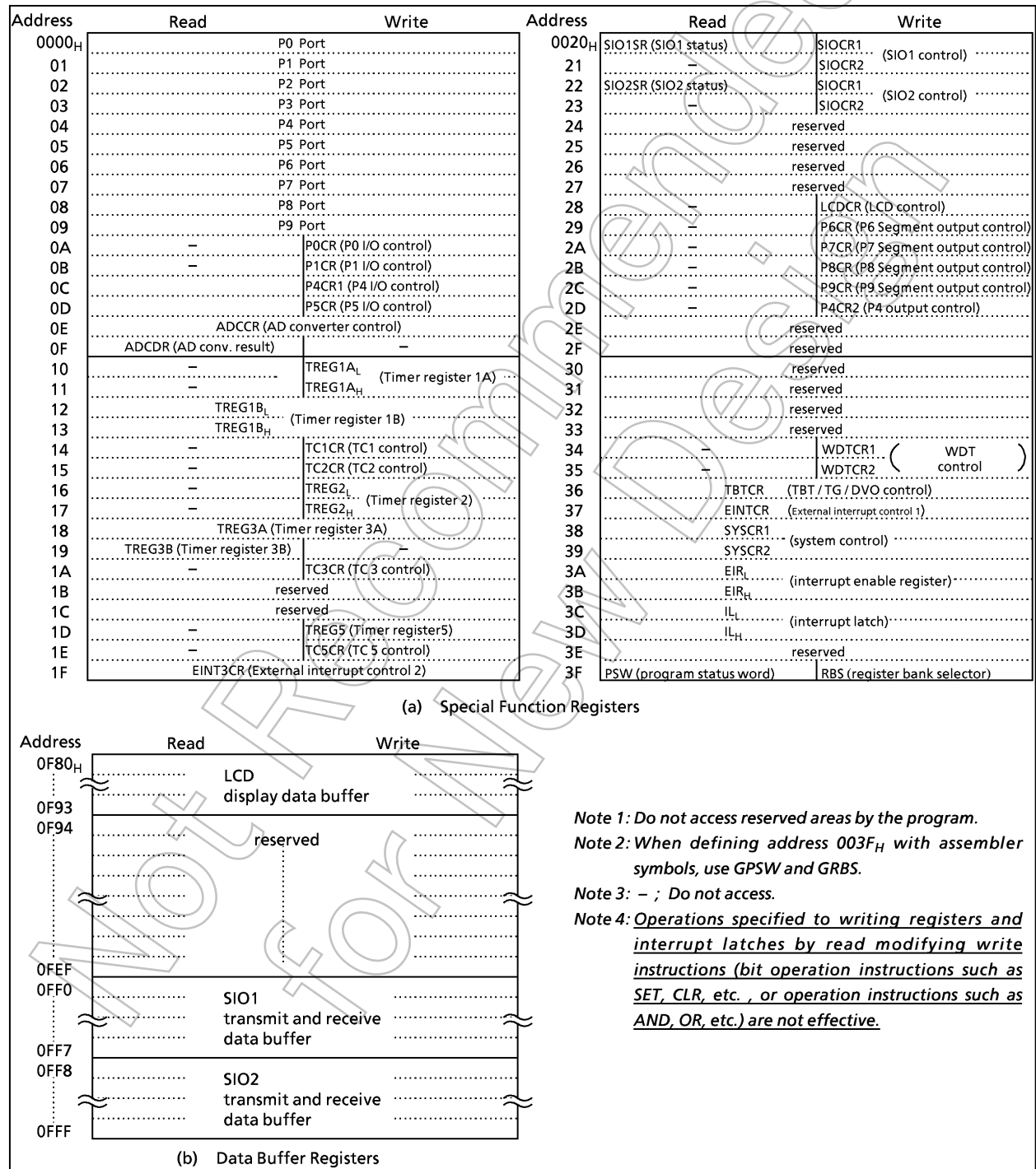


Figure 2-1. SFR & DBR

2.2 I/O Ports

The TMP87CM23A/CP23 have 10 parallel input/output ports (70 pins) each as follows:

	Primary Function	Secondary Functions
Port P0	8-bit I/O port	—————
Port P1	8-bit I/O port	External interrupt input, timer/counter input/output, and divider output
Port P2	3-bit I/O port	Low-frequency resonator connections, external interrupt input, and STOP mode release signal input
Port P3	7-bit I/O port	—————
Port P4	8-bit I/O port	Serial interface, external interrupt input, timer/counter input/output
Port P5	8-bit I/O port	Analog input
Port P6	8-bit I/O port	Segment Output
Port P7	8-bit I/O port	Segment Output
Port P8	8-bit I/O port	Segment Output
Port P9	4-bit I/O port	Segment Output

Each output port contains a latch, which holds the output data. All input ports do not have latches, so the external input data should either be held externally until read or reading should be performed several times before processing. Figure 2-2 shows input/output timing examples.

External data is read from an I/O port in the S1 state of the read cycle during execution of the read instruction. This timing can not be recognized from outside, so that transient input such as chattering must be processed by the program.

Output data output changes in the S2 state of the write cycle during execution of the instruction which writes to an I/O port.

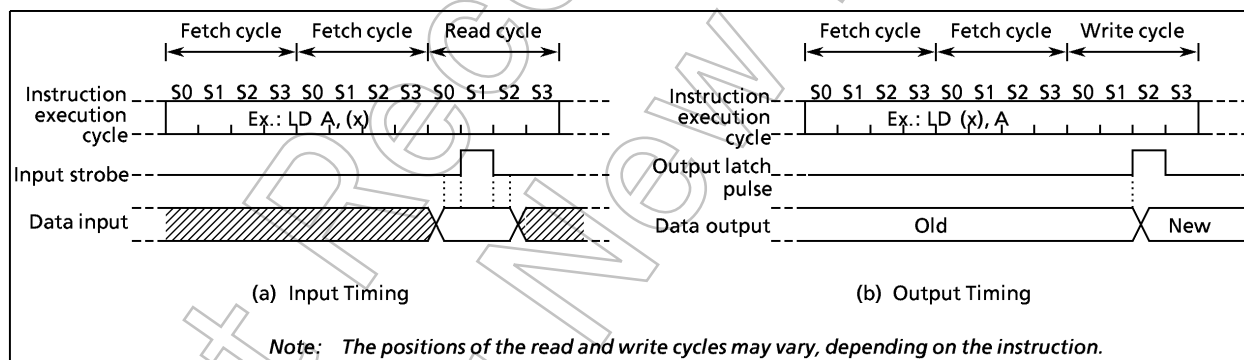


Figure 2-2. Input/Output Timing (Example)

When reading an I/O port except programmable I/O ports, whether the pin input data or the output latch contents are read depends on the instructions, as shown below:

- (1) Instructions that read the output latch contents
 - ① XCH r, (src)
 - ② CLR/SET/CPL (src).b
 - ③ CLR/SET/CPL (pp).g
 - ④ LD (src).b, CF
 - ⑤ LD (pp) . b, CF
 - ⑥ ADDADC/SUB/SUBB/AND/OR/XOR (src), n
 - ⑦ (src) side of ADDADC/SUB/SUBB/AND/OR/XOR (src), (HL)
- (2) Instructions that read the pin input data
 - ① Instructions other than the above (1)
 - ② (HL) side of ADDADC/SUB/SUBB/AND/OR/XOR (src), (HL)

2.2.1 Port P0 (P07 to P00)

Port P0 is an 8-bit general-purpose input/output port which can be configured as either an input or an output in one-bit unit under software control. Input/output mode is specified by the corresponding bit in the port P0 input/output control register (POCR). Port P0 is configured as an input if its corresponding POCR bit is cleared to "0", and as an output if its corresponding POCR bit is set to "1". During reset, POCR is initialized to "0", which configures port P0 as input. The P0 output latches are also initialized to "0".

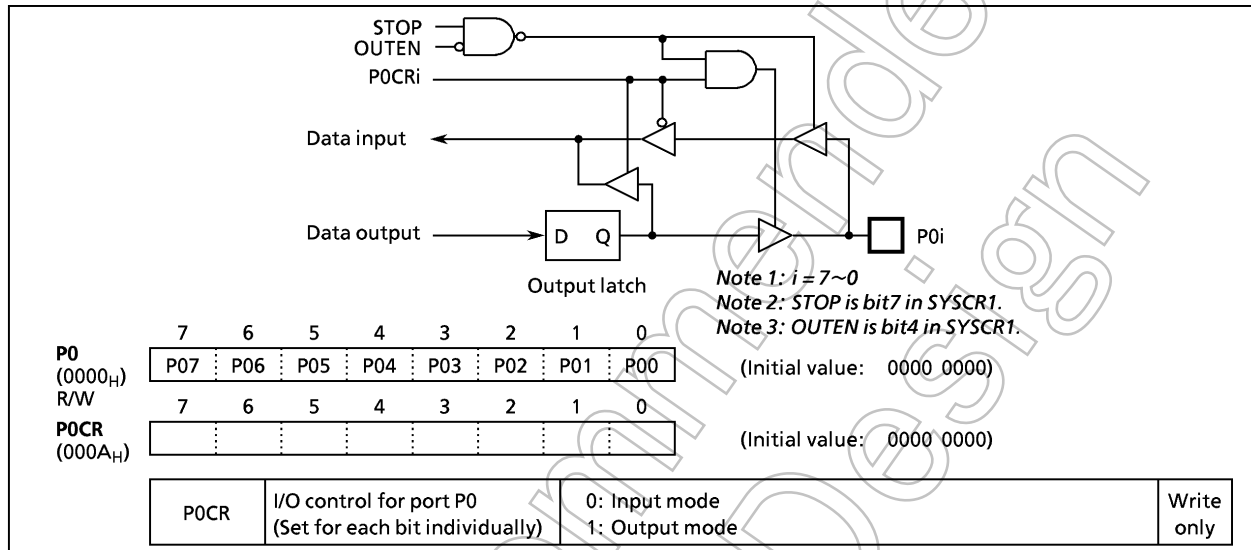


Figure 2-3. Port P0 and POCR

Example: Setting the upper 4 bits of port P0 as an input port and the lower 4 bits as an output port (Initial output data are 1010_B).

```
LD (P0), 00001010B ; Sets initial data to P0 output latches
LD (POCR), 00001111B ; Sets the port P0 input/output mode
```

Note1: Ports set to the input mode read the pin states. When input pin and output pin exist in port P0 together, the contents of the output latch of ports set to the input mode may be rewritten by executing the bit manipulation instructions. Pins set to the output mode read a value of the output latch.

Note2: The POCR is a write-only register. It can not be operated by the read-modify instruction (Bit manipulation instructions of SET, CLR, etc. and Arithmetic instructions of AND, OR, etc.)

2.2.2 Port P1 (P17 to P10)

Port P1 is an 8-bit input/output port which can be configured as an input or an output in one-bit unit under software control. Input/output mode is specified by the corresponding bit in the port P1 input/output control register (P1CR). Port P1 is configured as an input if its corresponding P1CR bit is cleared to "0", and as an output if its corresponding P1CR bit is set to "1". During reset, the P1CR is initialized to "0", which configures port P1 as an input. The P1 output latches are also initialized to "0". Port P1 is also used as an external interrupt input, a timer/counter input/output, and a divider output. When used as secondary function pin, the input pins should be set to the input mode, and the output pins should be set to the output mode and beforehand the output latch should be set to "1". It is recommended that pins P11 and P12 should be used as external interrupt inputs, timer/counter input, or input ports. The interrupt latch is set at the rising or falling edge of the output when used as output ports.

Pin P10 ($\overline{INT0}$) can be configured as either an I/O port or an external interrupt input with INT0EN (bit 6 in EINTCR). During reset, pin P10 ($\overline{INT0}$) is configured as an input port P10.

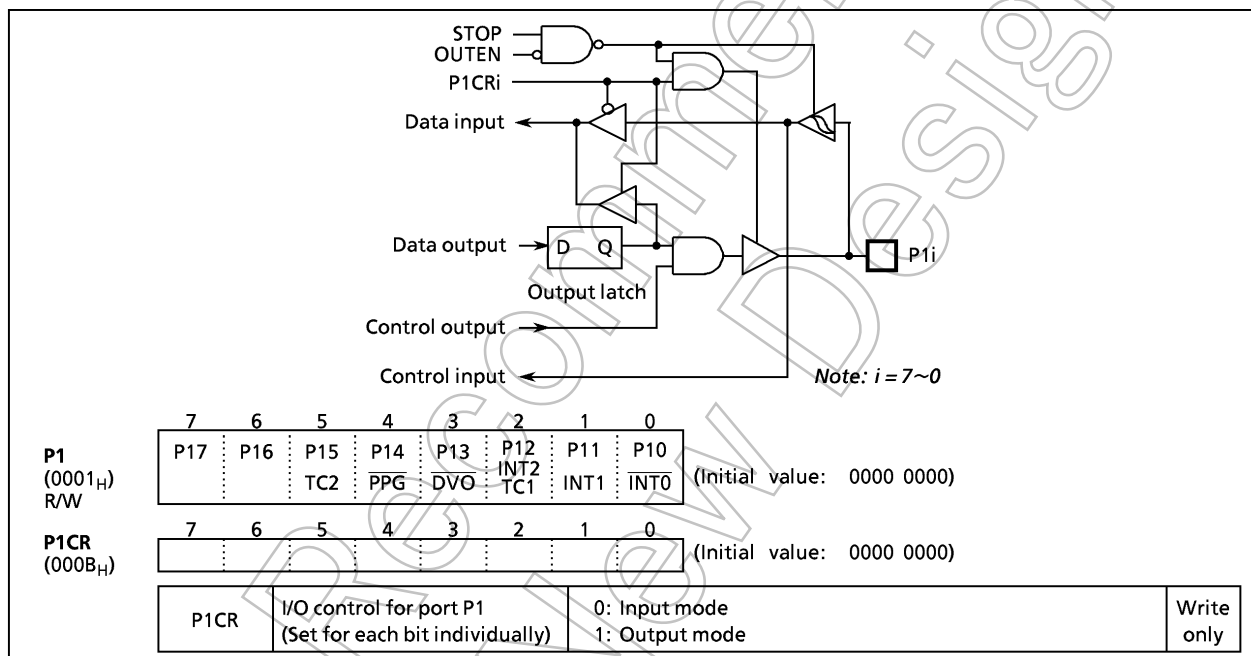


Figure 2-4. Port P1 and P1CR

Example: Sets P17, P16 and P14 as output ports, P13 and P11 as input ports, and the others as function pins. Internal output data is "1" for the P17 and P14 pins, and "0" for the P16 pin.

```
LD (EINTCR), 01000000B ; INT0EN←1
LD (P1), 10111111B ; P17←1, P14←1, P16←0
LD (P1CR), 11010000B
```

Note1: Ports set to the input mode read the pin states. When input pin and output pin exist in port P1 together, the contents of the output latch of ports set to the input mode may be rewritten by executing the bit manipulation instructions. Pins set to the output mode read a value of the output latch.

Note2: The P1CR is a write-only register. It can not be operated by the read-modify instruction (Bit manipulation instructions of SET, CLR, etc. and Arithmetic instructions of AND, OR, etc.)

2.2.3 Port P2 (P22 to P20)

Port P2 is a 3-bit input/output port. It is also used as an external interrupt input, a STOP mode release signal input, and low-frequency crystal connection pins. When used as an input port, or a secondary function pin, the output latch should be set to "1". During reset, the output latches are initialized to "1".

A low-frequency crystal (32.768 kHz) is connected to pins P21 (XTIN) and P22 (XTOUT) in the dual-clock mode. In the single-clock mode, pins P21 and P22 can be used as normal input/output ports.

It is recommended that pin P20 should be used as an external interrupt input, a STOP mode release signal input, or an input port. If used as an output port, the interrupt latch is set on the falling edge of the output pulse.

When a read instruction is executed for port P2, bits 7 to 3 read in as indefinite.

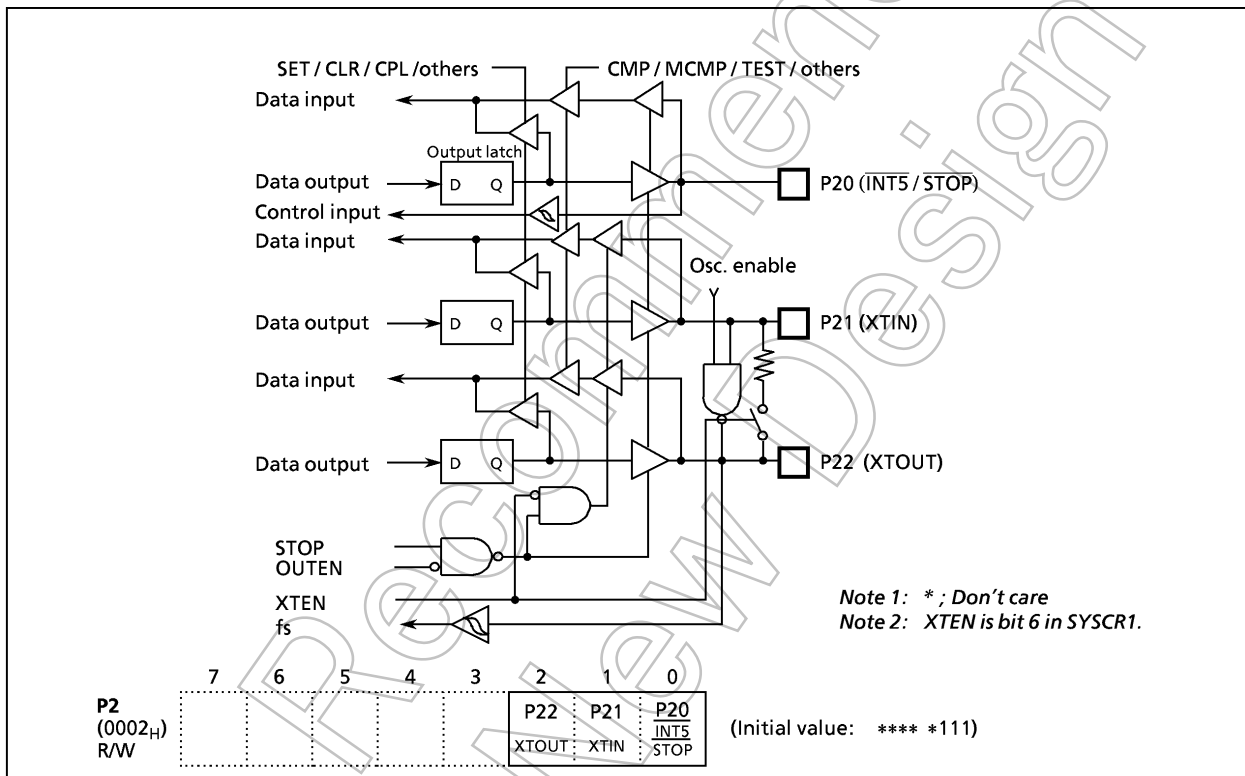


Figure 2-5. Port P2

2.2.4 Port P3 (P36 to P30)

Port P3 is an 7-bit input/output port. When used as an input port, the output latch should be set to "1". The output latches are initialized to "1" during reset.

When a read instruction is executed for port P3, bit 7 reads in as indefinite.

Example 1: Output the immediate data 5A_H to the P3 port.

```
LD (P3), 5AH ; P3 ← 5AH
```

Example 2: Inverts the output of the upper 3bits (P36 to P34) of the P3 port.

```
XOR (P3), *1110000B ; P36 to P34 ←  $\overline{P36}$  to  $\overline{P34}$ 
```

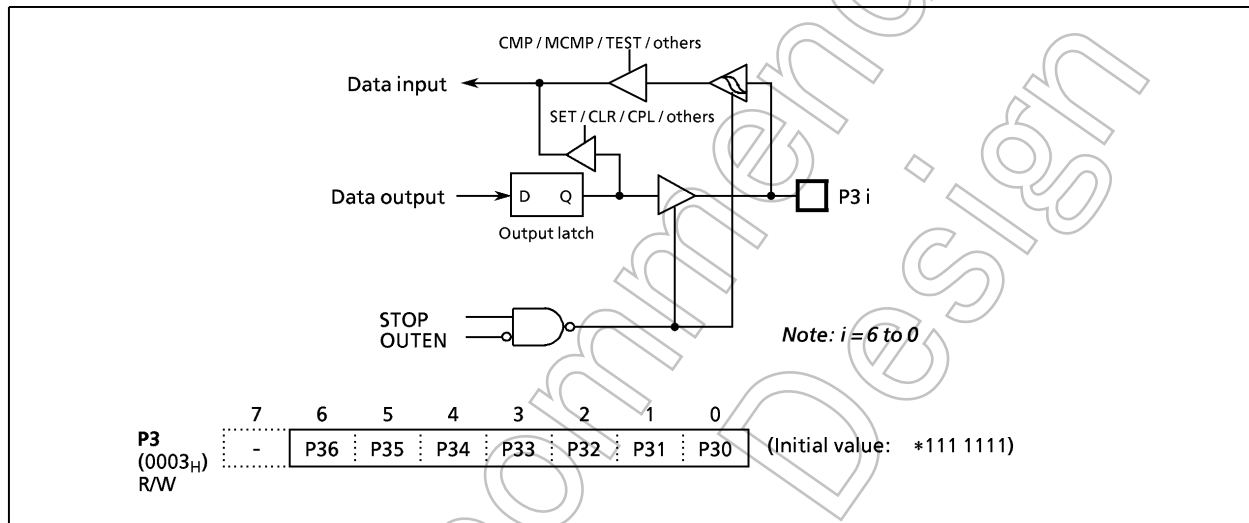


Figure 2-6. Port P3

2.2.5 Port P4 (P47 to P40)

Port P4 is an 8-bit input/output port, and is also used as an external interrupt input, a timer/counter input/output and a serial interface input/output. Input/output mode is specified by the corresponding bit in the port P4 input/output control register (P4CR1). It can be selected whether output circuit of P4 port is Push-pull port or Sink open drain individually, by setting P4CR2.

When used as a timer/counter output and serial interface output, respective P4CR1 should be set to "1" after P4 output latch is set to "1".

When used as an input port, external interrupt input, timer/counter input and serial interface input, respective P4CR1 should be set to "0" after P4CR2 is set to "0".

During reset, the P4CR1 is initialized to "1", and configures port P4 as an output mode. Also, port P4 output latch is initialized to "1".

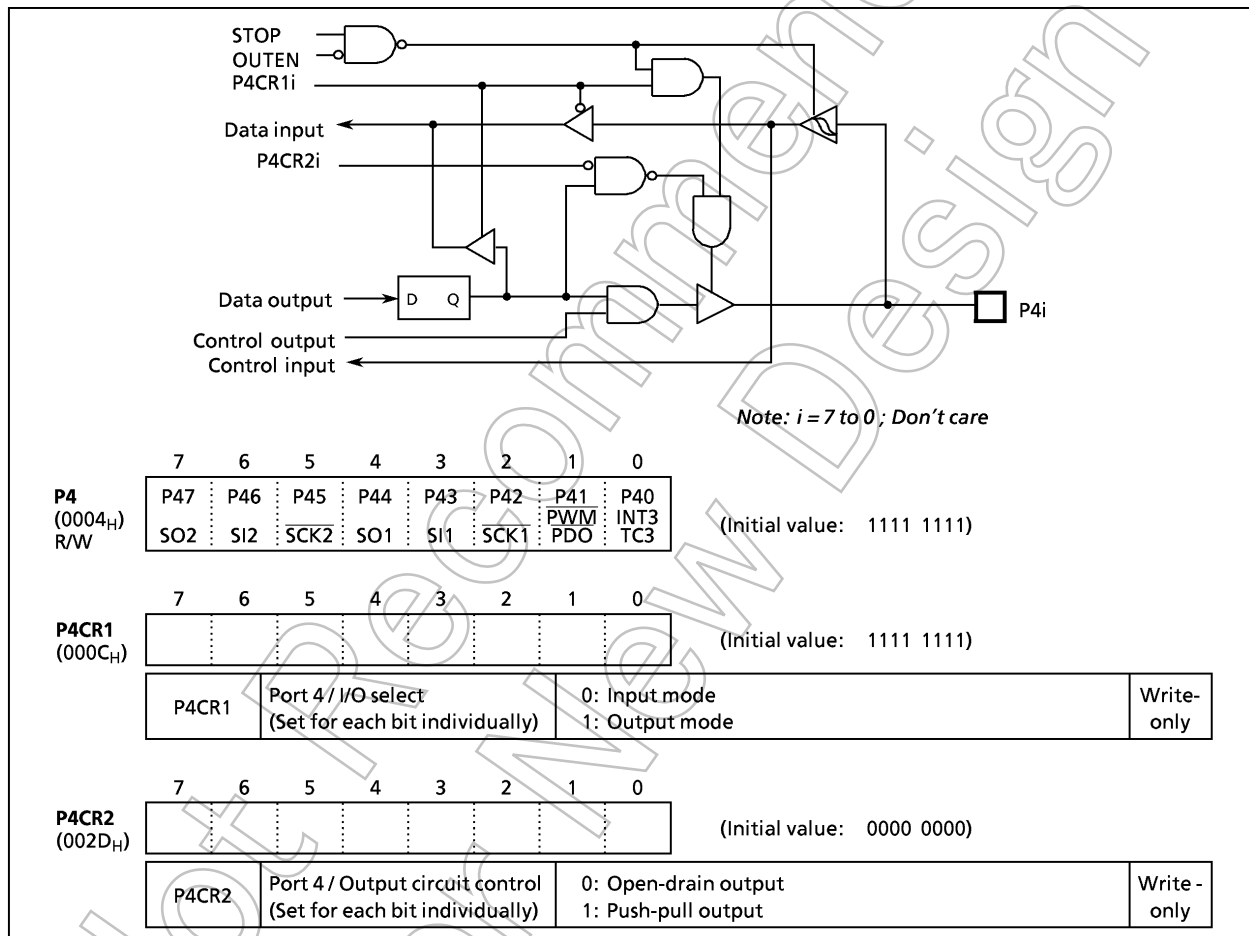


Figure 2-7. Port P4

Note 1: Ports set to the input mode read the pin states. When input pin and output pin exist in port P4 together, the contents of the output latch of ports set to the input mode may be rewritten by executing the bit manipulation instructions. Pins set to the output mode read a value of the output latch.

Note 2: The P4CR1 and P4CR2 are a write-only register. It can not be operated by the read-modify instruction (Bit manipulation instructions of SET, CLR, etc. and Arithmetic instructions of AND, OR, etc.)

2.2.6 Port P5 (P57 to P50)

Port P5 is a general-purpose 8-bit I/O port that can be specified bitwise. It is also used for analog input. Specify input or output using the P5 I/O control register (P5CR) and AINDS (bit 4 of ADCCR). At reset, the P5CR is set to 0; AINDS, to 0, setting port P5 to analog input. At reset, the output latch of port P5 is initialized to "0". The P5CR is write-only register. The pins of port P5 not specified for analog input can be used as an I/O port; to maintain accuracy, do not use them for output instructions during AD conversion. While the AD converter is operating, if a read instruction is executed for port P5, read data of port selected to analog input is "1".

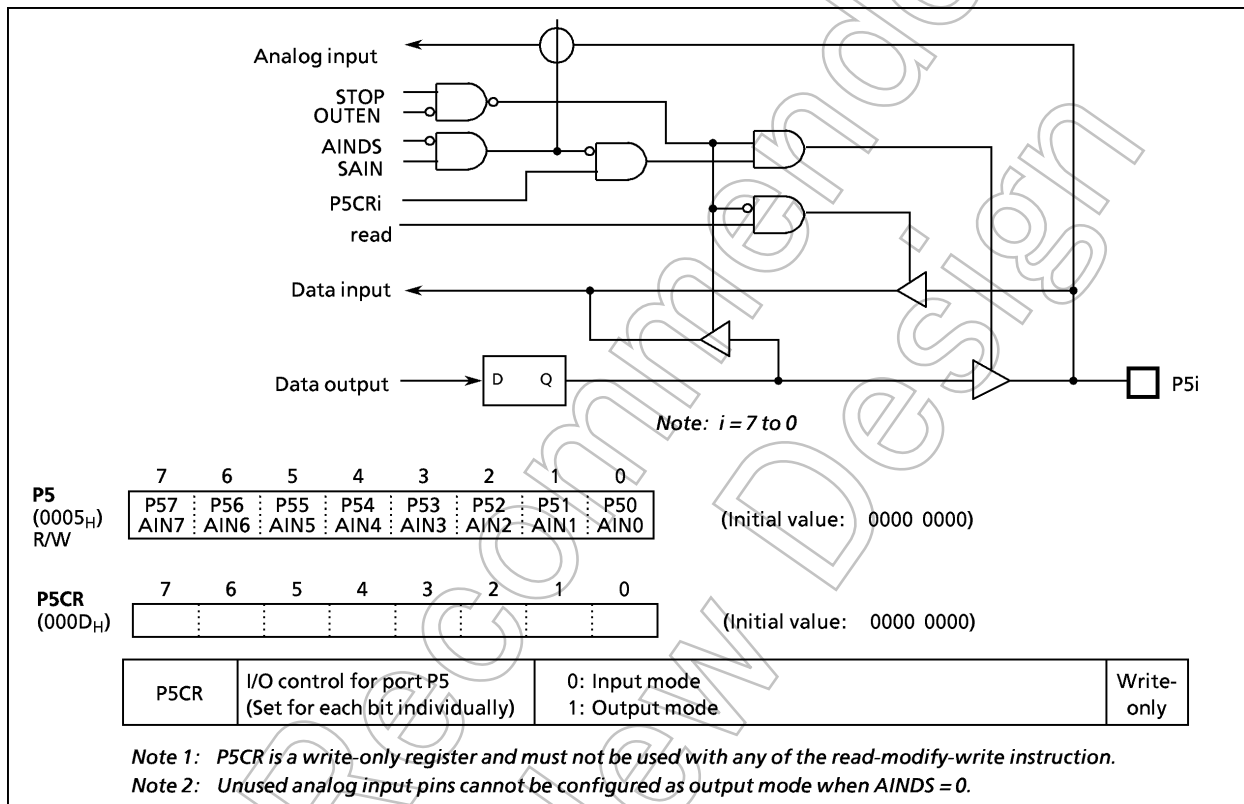


Figure 2-8. Port P5

Note 1: Ports set to the input mode read the pin states. When input pin and output pin exist in port P5 together, the contents of the output latch of ports set to the input mode may be rewritten by executing the bit manipulation instructions. Pins set to the output mode read a value of the output latch.

Note 2: The P5CR is a write-only register. It can not be operated by the read-modify instruction (Bit manipulation instructions of SET, CLR, etc. and Arithmetic instructions of AND, OR, etc.)

2.2.7 Ports P6 (P67 to P60) Port P7 (P77 to P70) Port P8 (P87 to P80) Port P9 (P93 to P90)

Port P6, P7, P8 and P9 are an 8-bit input / output ports and are also used as the segment output port. Input / output mode or segment output mode is specified by the corresponding bit in the Px port control register (PxCR). During reset, PxCR is initialized to "0", which configure port Px as input / output. Port Px output latches are also initialized to "1". PxCR can only be written. When a read instruction is executed for port P9, bits 7 to 4 read in as indefinite. Note: x = 6,7,8,9

Example: Setting the upper 2 bits of port P6 as a segment output port, and the others as input/output port.

```
LD (P6CR), 1100000B
```

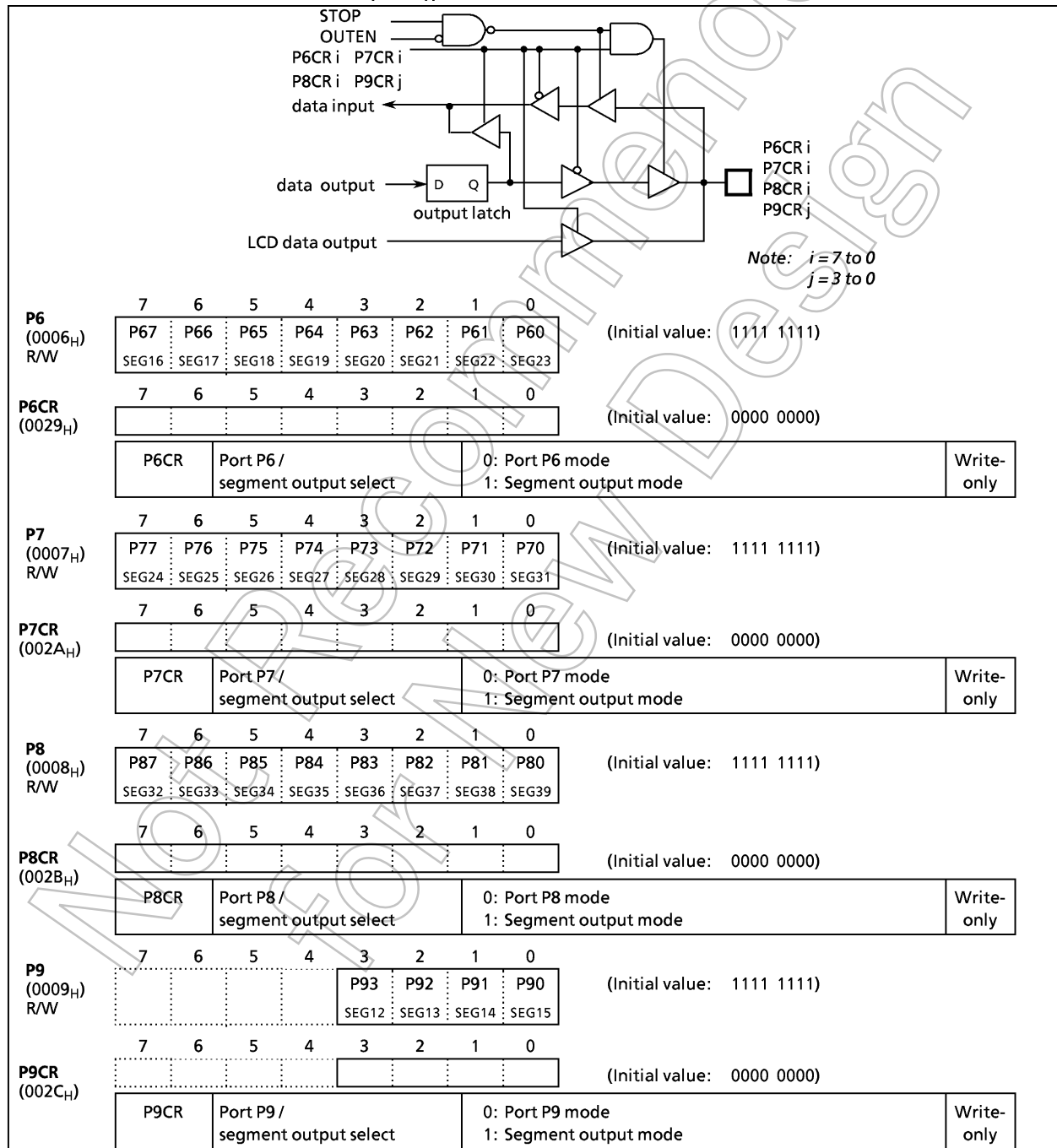


Figure 2-9. Port P6, P7, P8, P9

Note: The P6CR, P7CR, P8CR and P9CR are write-only register. It can not be operated by the read-modify instruction (Bit manipulation instructions of SET, CLR, etc. and Arithmetic instructions of AND, OR, etc.)

Not Recommended
for New Design

2.3 Time Base Timer (TBT)

The time-base timer is used to generate the base time for key scan and dynamic display processing. For this purpose, it generates a time-base timer interrupt (INTTBT) at predetermined intervals.

This interrupt is generated beginning with the first rising edge of the source clock (the timing generator's divider output selected by TBTCR) after the time-base timer is enabled. Note that since the divider cannot be cleared by a program, the first interrupt only may occur earlier than the set interrupt period. (See Figure 2-10 (b).)

When selecting the interrupt frequency, make sure the time-base timer is disabled. (Do not change the selected interrupt frequency when disabling the active timer either.) However, you can select the interrupt frequency simultaneously when enabling the timer.

Example: Sets the time base timer frequency to $fc/2^{16}$ [Hz] and enables an INTTBT interrupt.

```
LD      (TBTCR), 00001010B
SET    (EIRL). 6
```

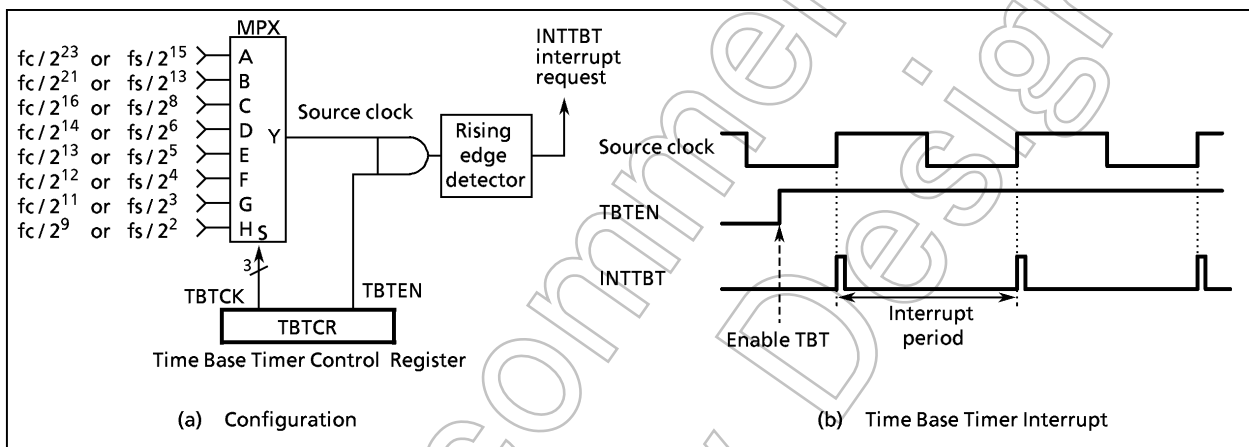


Figure 2-10. Time Base Timer

TBTCR (0036 _H)		7	6	5	4	3	2	1	0	(Initial value: 0**0 0***)
		(DVOEN)	(DVOCK)	(DV7CK)	TBTEN	TBTCR				
TBTEN	Time base timer enable/disable	0: Disable 1: Enable			R/W					
TBTCR	Time base timer interrupt frequency select	000: $fc/2^{23}$ or $fs/2^{15}$ [Hz] 001: $fc/2^{21}$ or $fs/2^{13}$ 010: $fc/2^{16}$ or $fs/2^8$ 011: $fc/2^{14}$ or $fs/2^6$ 100: $fc/2^{13}$ or $fs/2^5$ 101: $fc/2^{12}$ or $fs/2^4$ 110: $fc/2^{11}$ or $fs/2^3$ 111: $fc/2^9$ or $fs/2$								
Note: fc ; High-frequency clock [Hz], fs ; Low-frequency clock [Hz], *; Don't care										

Figure 2-11. Time Base Timer and Divider Output Control Register

Table 2-1. Time Base Timer Interrupt Frequency

TBTCK	NORMAL1/2, IDLE1/2 mode		SLOW, SLEEP mode	Interrupt Frequency	
	DV7CK = 0	DV7CK = 1		At $f_c = 8$ MHz	At $f_s = 32.768$ kHz
000	$f_c / 2^{23}$	$f_s / 2^{15}$	$f_s / 2^{15}$	0.95 Hz	1 Hz
001	$f_c / 2^{21}$	$f_s / 2^{13}$	$f_s / 2^{13}$	3.81	4
010	$f_c / 2^{16}$	$f_s / 2^8$	-	122.07	128
011	$f_c / 2^{14}$	$f_s / 2^6$	-	488.28	512
100	$f_c / 2^{13}$	$f_s / 2^5$	-	976.56	1024
101	$f_c / 2^{12}$	$f_s / 2^4$	-	1953.12	2048
110	$f_c / 2^{11}$	$f_s / 2^3$	-	3906.25	4096
111	$f_c / 2^9$	$f_s / 2$	-	15625	16384

2.4 Divider Output (DVO)

A 50% duty pulse can be output using the divider output circuit, which is useful for piezo-electric buzzer drive. Divider output is from pin P13 (DVO). The P13 output latch should be set to "1" and then the P13 should be configured as an output mode.

Divider output circuit is controlled by the control register (TBTCCR) shown in Figure 2-12.

TBTCCR (0036 _H)		7	6	5	4	3	2	1	0	(Initial value: 0**0 0***)
DVOEN	DVOCK	(DV7CK)	(TBTEN)	(TBTCK)						
DVOEN	Divider output enable/disable		0: Disable 1: Enable		R/W					
DVOCK	Divider output (DVO) frequency selection		00: $f_c / 2^{13}$ or $f_s / 2^5$ [Hz] 01: $f_c / 2^{12}$ or $f_s / 2^4$ 10: $f_c / 2^{11}$ or $f_s / 2^3$ 11: $f_c / 2^{10}$ or $f_s / 2^2$							

Note: f_c ; High-frequency clock [Hz], f_s ; Low-frequency clock [Hz], *; Don't care

Figure 2-12. Divider Output Control Register

Example: 1kHz pulse output (at $f_c = 8$ MHz)

```
SET      (P1).3           ; P13 output latch ←1
LD       (P1CR), 00001000B ; Configures P13 as an output mode
LD       (TBTCCR), 10000000B ; DVOEN←1, DVOCK←00
```

Table 2-2. Frequency of Divider Output

DVOCK	Frequency of Divider Output	At $f_c = 4.194304$ MHz	At $f_c = 8$ MHz	At $f_s = 32.768$ kHz
00	$f_c / 2^{13}$ or $f_s / 2^5$	0.512 [kHz]	0.976 [kHz]	1.024 [kHz]
01	$f_c / 2^{12}$ or $f_s / 2^4$	1.024	1.953	2.048
10	$f_c / 2^{11}$ or $f_s / 2^3$	2.048	3.906	4.096
11	$f_c / 2^{10}$ or $f_s / 2^2$	4.096	7.812	8.192

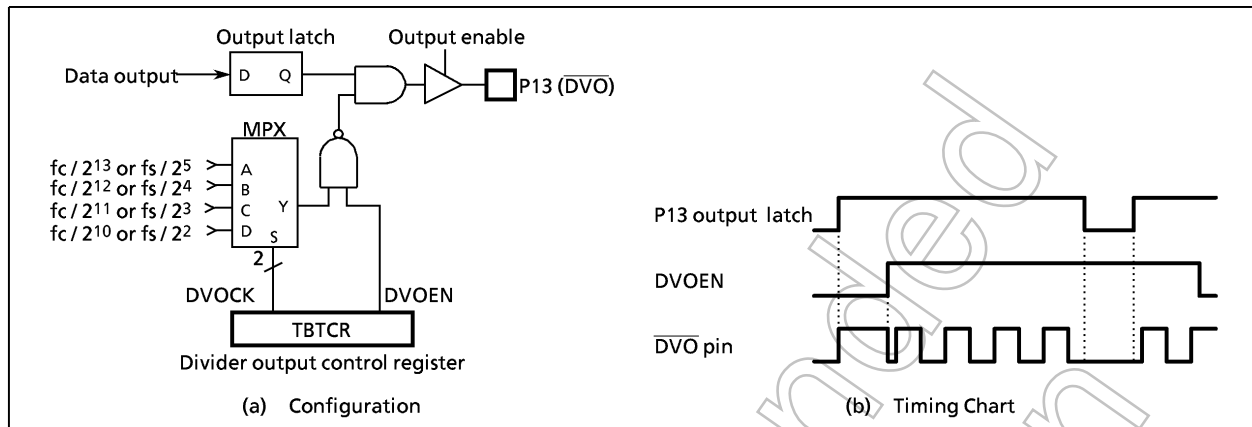


Figure 2-13. Divider Output

Not Recommended for New Design

2.5 16-bit Timer/Counter 1 (TC1)

2.5.1 Configuration

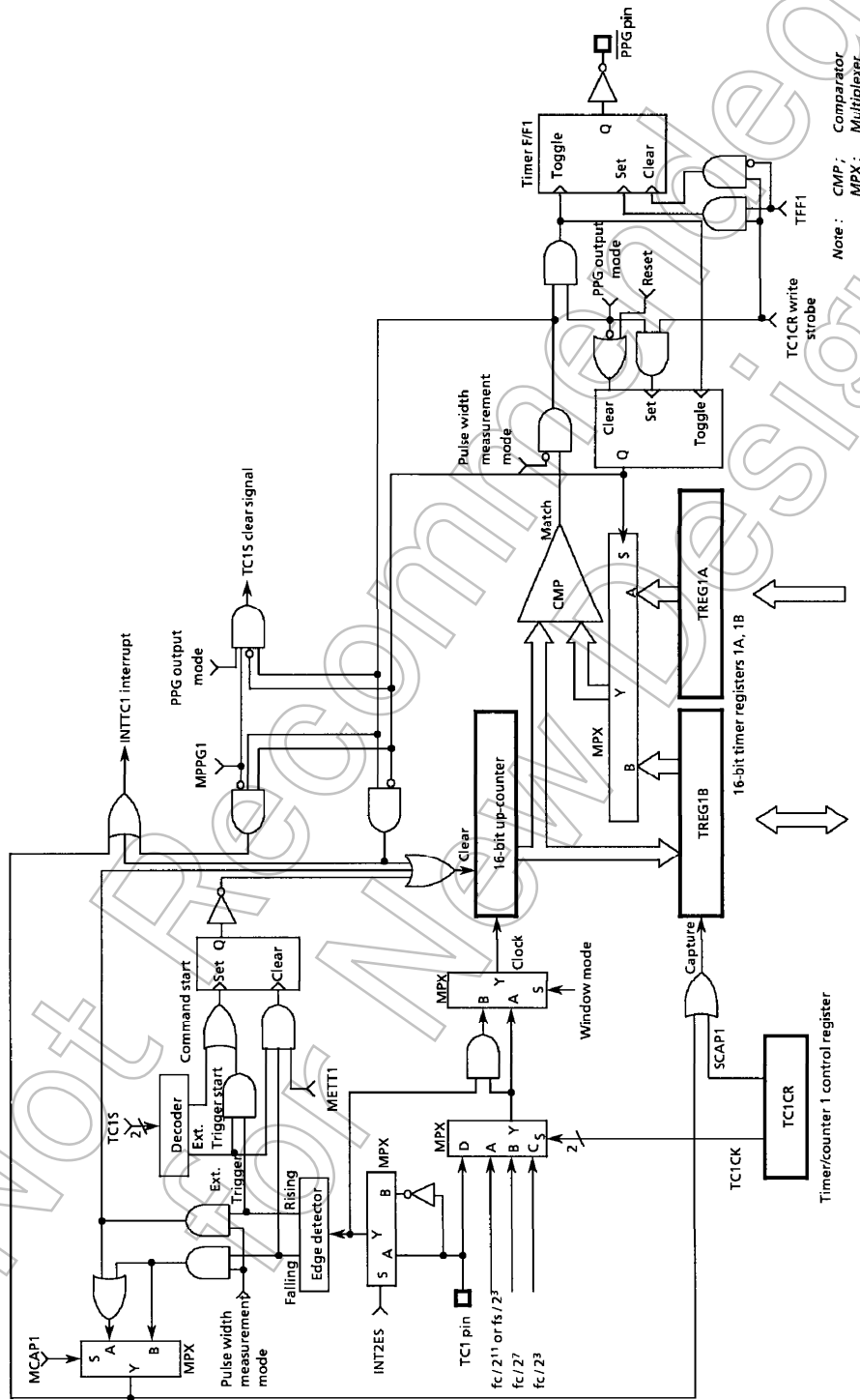


Figure 2-14. Timer/Counter 1

2.5.2 Control

The timer/counter 1 is controlled by a timer/counter 1 control register (TC1CR) and two 16-bit timer registers (TREG1A and TREG1B). Reset does not affect TREG1A and TREG1B.

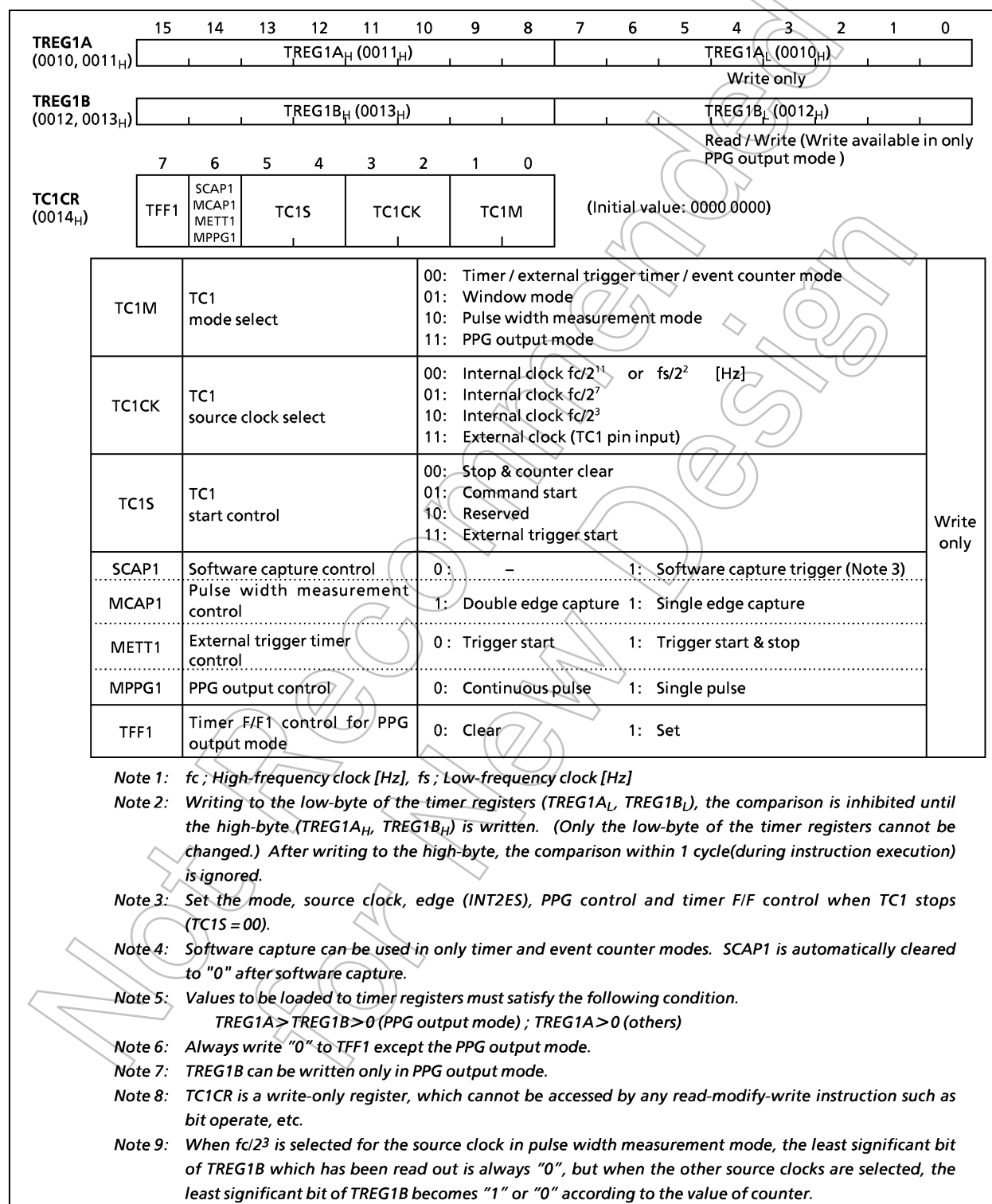


Figure 2-15. Timer Registers and TC1 Control Register

2.5.3 Function

Timer/counter 1 has six operating modes: timer, external trigger timer, event counter, window, pulse width measurement, programmable pulse generator output mode.

(1) Timer Mode

In this mode, counting up is performed using the internal clock. The contents of TREG1A are compared with the contents of up-counter. If a match is found, an INTTC1 interrupt is generated, and the counter is cleared to "0". Counting up resumes after the counter is cleared. The current contents of up-counter can be transferred to TREG1B by setting SCAP1 (bit 6 in TC1CR) to "1" (software capture function). SCAP1 is automatically cleared to "0" after capturing.

Table 2-3. Timer/Counter 1 Source Clock (Internal Clock)

Source clock		SLOW, SLEEP modes	Resolution		Maximum time setting	
NORMAL1/2, IDLE1/2 modes			At $f_c = 8 \text{ MHz}$	At $f_s = 32.768 \text{ kHz}$	At $f_c = 8 \text{ MHz}$	At $f_s = 32.768 \text{ kHz}$
DV7CK = 0	DV7CK = 1					
$f_c / 2^{11}$	$f_s / 2^3$	$f_s / 2^3 \text{ [Hz]}$	256 μs	244.14 μs	16.8 s	16.0 s
$f_c / 2^7$	$f_c / 2^7$	–	16 μs	–	1.0 s	–
$f_c / 2^3 \text{ [Hz]}$	$f_c / 2^3 \text{ [Hz]}$	–	1 μs	–	65.5 ms	–

Example 1: Sets the timer mode with source clock $f_s/2^3 \text{ [Hz]}$ and generates an interrupt 1 s. later (at $f_s = 32.768 \text{ kHz}$).

```
LD      (TC1CR), 00000000B      ; Sets the TC1 mode and source clock
LDW    (TREG1A), 1000H          ; Sets the timer register ( $1 \text{ s} \div 2^3 / f_s = 1000_{10}$ )
SET    (EIRL).EF4              ; enable INTTC1
EI
LD      (TC1CR), 00010000B      ; Starts TC1
```

Note: TC1CR is a write-only register, which cannot start by [SET(TC1CR).4] instruction.

Example 2: Software capture

```
LD      (TC1CR), 01010000B      ; SCAP1←1 (Captures)
LD      WA, (TREG1B)            ; Reads captured value
```

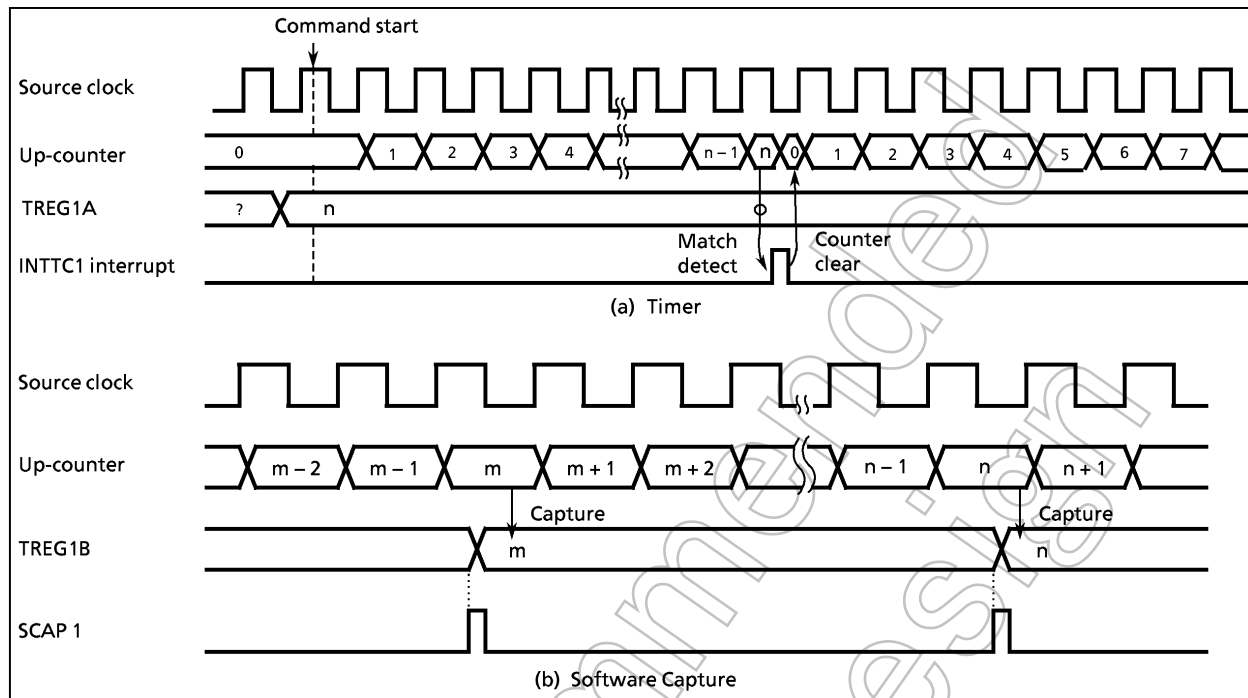


Figure 2-16. Timer Mode Timing Chart

(2) External Trigger Timer mode

In this mode, counting up is started by an external trigger. This trigger is the edge of the TC1 pin input. Either the rising or falling edge can be selected. Edge selection is the same as for the external interrupt input INT2 pin. Source clock is used an internal clock selected. The contents of TREG1A is compared with the contents of up-counter. If a match is found, an INTTC1 interrupt is generated, and the counter is cleared to "0" and halted. The counter is restarted by the selected edge of the TC1 pin input.

When the edge input is opposite to the edge input way of the count start trigger at METTI (bit 6 in TC1CR) = 1, the counter is cleared, and count stops. In this mode, pulse input with a constant pulse width generates interrupt. When METTI is "0", the opposite edge input is ignored. The edge of TC1 pin input before match detection is also ignored.

The TC1 pin input has the same noise rejection as the INT2 pin; therefore, pulses of $7/f_c$ [s] or less are rejected as noise. A pulse width of $24/f_c$ [s] or more is required for edge detection in NORMAL1/2 or IDLE1/2 mode. The noise rejection circuit is turned off in SLOW and SLEEP modes. But, a pulse width of 1 machine cycle or more is required.

Example 1: Generates interrupt after $100 \mu\text{s}$ from TC1 pin input rising edge (at $f_c = 8 \text{ MHz}$).

```
LD      (EINTCR), 00000000B      ; INT2ES←0 (rising edge)
LDW    (TREG1A), 0064H          ;  $100 \mu\text{s} \div 2^3 / f_c = 64_H$ 
SET    (EIRL).EF4              ; Enables INTTC1 interrupt
EI
LD      (TC1CR), 00111000B      ; Starts TC1 external trigger, METT = 0
```

Example 2: When "L" level pulses of 4ms or more is input to TC1 pin, generates interrupt.
(at $f_c = 8 \text{ MHz}$)

```
LD      (EINTCR), 00000100B      ; INT2ES←1 ("L" level)
LDW    (TREG1A), 00FAH          ;  $4 \text{ ms} \div 2^7 / f_c = FA_H$ 
SET    (EIRL).EF4              ; Enables INTTC1 interrupt
EI
LD      (TC1CR), 01110100B      ; Starts TC1 external trigger, METT = 1
```

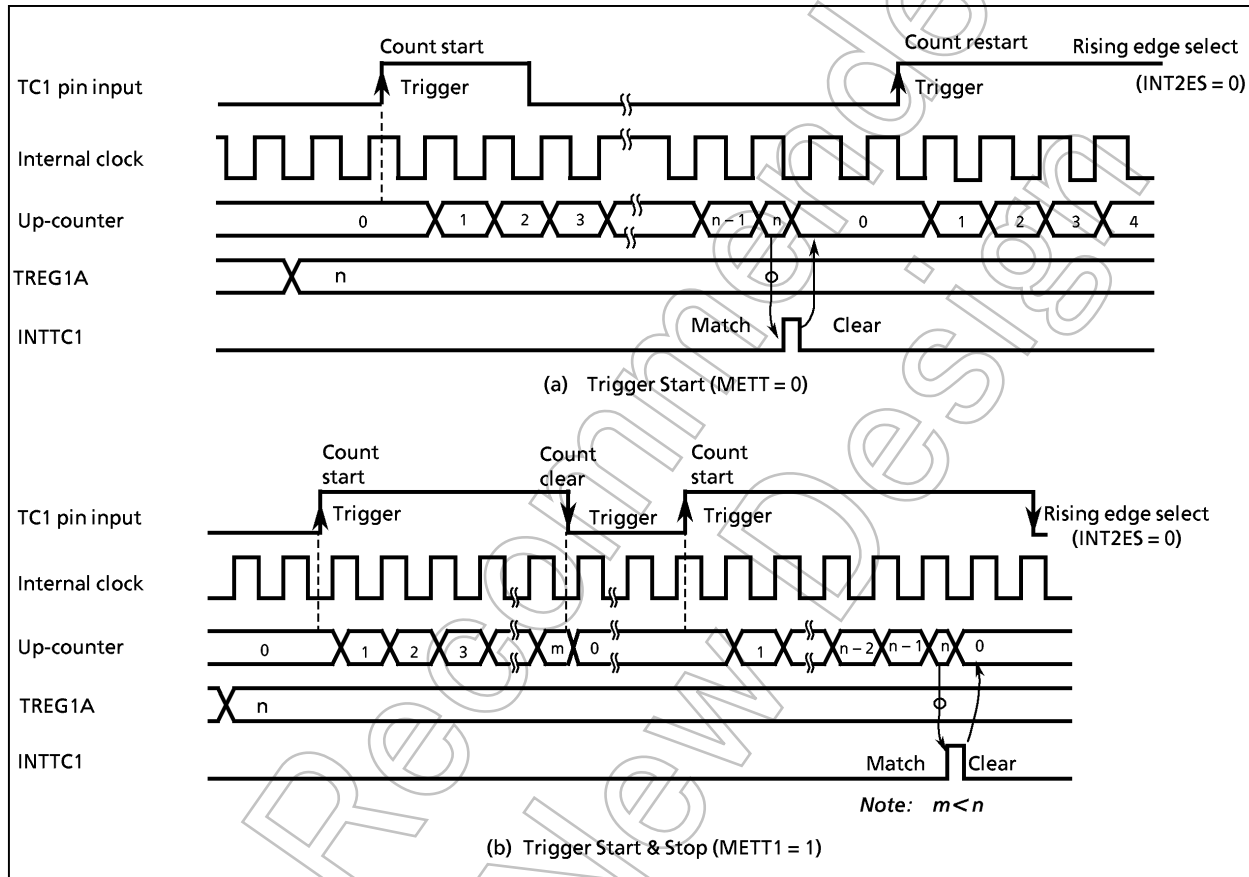


Figure 2-17. External Trigger Timer Mode Timing Chart

(3) Event Counter Mode

In this mode, events are counted on the edge of the TC1 pin input. Either the rising or falling edge can be selected with INT2ES in EINTCR. The contents of TREG1A are compared with the contents of up-counter. If a match is found, an INTTC1 interrupt is generated, and the counter is cleared. Counting up resumes after the counter is cleared. The maximum applied frequency is $f_c/2^4$ [Hz] in NORMAL1/2 or IDLE1/2 mode and $f_s/2^4$ [Hz] in SLOW or SLEEP mode.

Setting SCAP1 to "1" transfers the current contents of up-counter to TREG1B (software capture function). SCAP is automatically cleared after capturing.

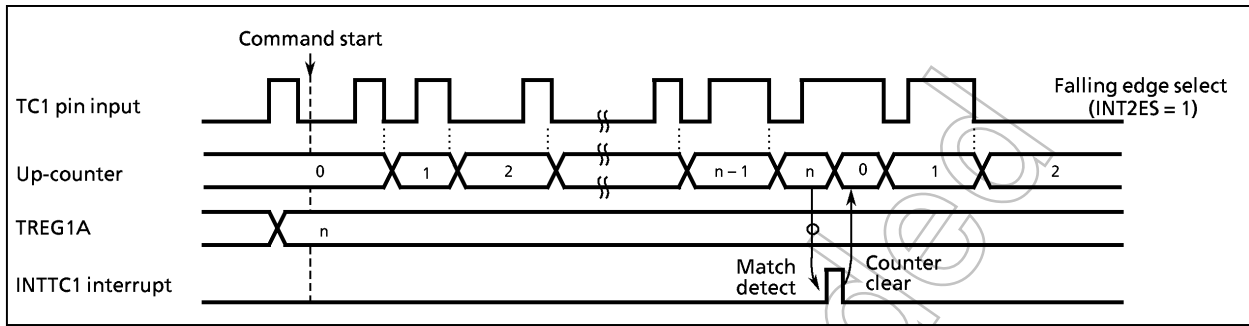


Figure 2-18. Event Counter Mode Timing Chart (INT2ES = 1)

(4) Window mode

Counting up is performed on the rising edge of the pulse that is the logical AND-ed product of the TC1 pin input (window pulse) and an internal clock. The contents of TREG1A are compared with the contents of up-counter. If a match is found, an INTTC1 interrupt is generated, and the counter is cleared. Positive or negative logic for the TC1 pin input can be selected with INT2ES. Setting SCAP1 to "1" transfers the current contents of up-counter to TREG1B. It is necessary that the maximum applied frequency (TC1 input) be such that the counter value can be analyzed by the program. That is, the frequency must be considerably slower than the selected internal clock.

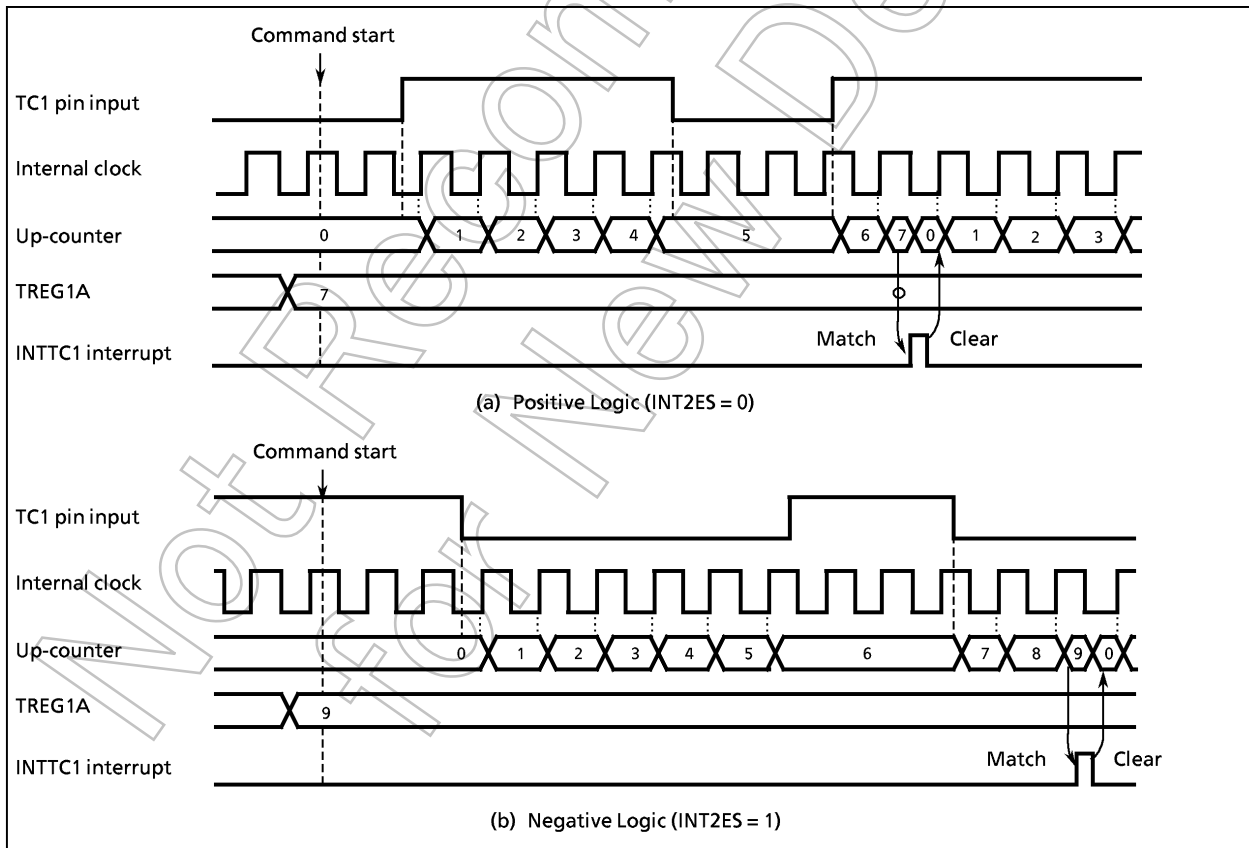


Figure 2-19. Window Mode Timing Chart

(5) Pulse width measurement mode

Counting is started by the external trigger (set to external trigger start by TC1S). The trigger can be selected either the rising or falling edge of the TC1 pin input. The source clock is used an internal clock. On the next falling (rising) edge, the counter contents are transferred to TREG1B and an INTTC1 interrupt is generated. The counter is cleared when the single edge capture mode is set. When double edge capture is set, the counter continues and, at the next rising (falling) edge, the counter contents are again transferred to TREG1B. If a falling (rising) edge capture value is required, it is necessary to read out TREG1B contents until a rising (falling) edge is detected. Falling or rising edge is selected with INT2ES, and single edge or double edge is selected with MCAP1 (bit 6 in TC1CR).

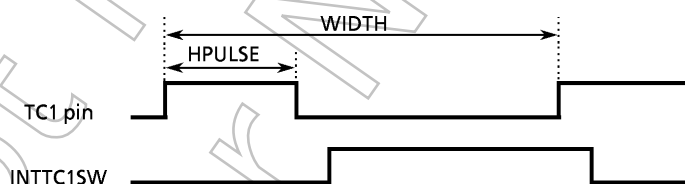
Note: When $fc/2^3$ is selected for the source clock in pulse width measurement mode, the least significant bit of TREG1B which has been read out is always "0", but when the other source clocks are selected, the least significant bit of TREG1B becomes "1" or "0" according to the value of counter.

Example: Duty measurement (Resolution $fc/2^7$ [Hz])

```

CLR    (INTTC1SW). 0      ; INTTC1 service switch initial setting
LD     (EINTCR), 00000000B ; Sets the rise edge at the INT2 edge
LD     (TC1CR), 00000110B ; Sets the TC1 mode and source clock
SET    (EIRL). 4         ; Enables INTTC1
EI
LD     (TC1CR), 00110110B ; Starts TC1 with an external trigger
:
PINTTC1: CPL (INTTC1SW). 0 ; Complements INTTC1 service switch
        JRS  F, SINTTC1
        LD  (HPULSE), (TREG1BL) ; Reads TREG1B
        LD  (HPULSE + 1), (TREG1BH)
        RETI
SINTTC1: LD  (WIDTH), (TREG1BL) ; Reads TREG1B (Period)
        LD  (WIDTH + 1), (TREG1BH)
        :
        RETI
:
VINTTC1: DW  PINTTC1

```



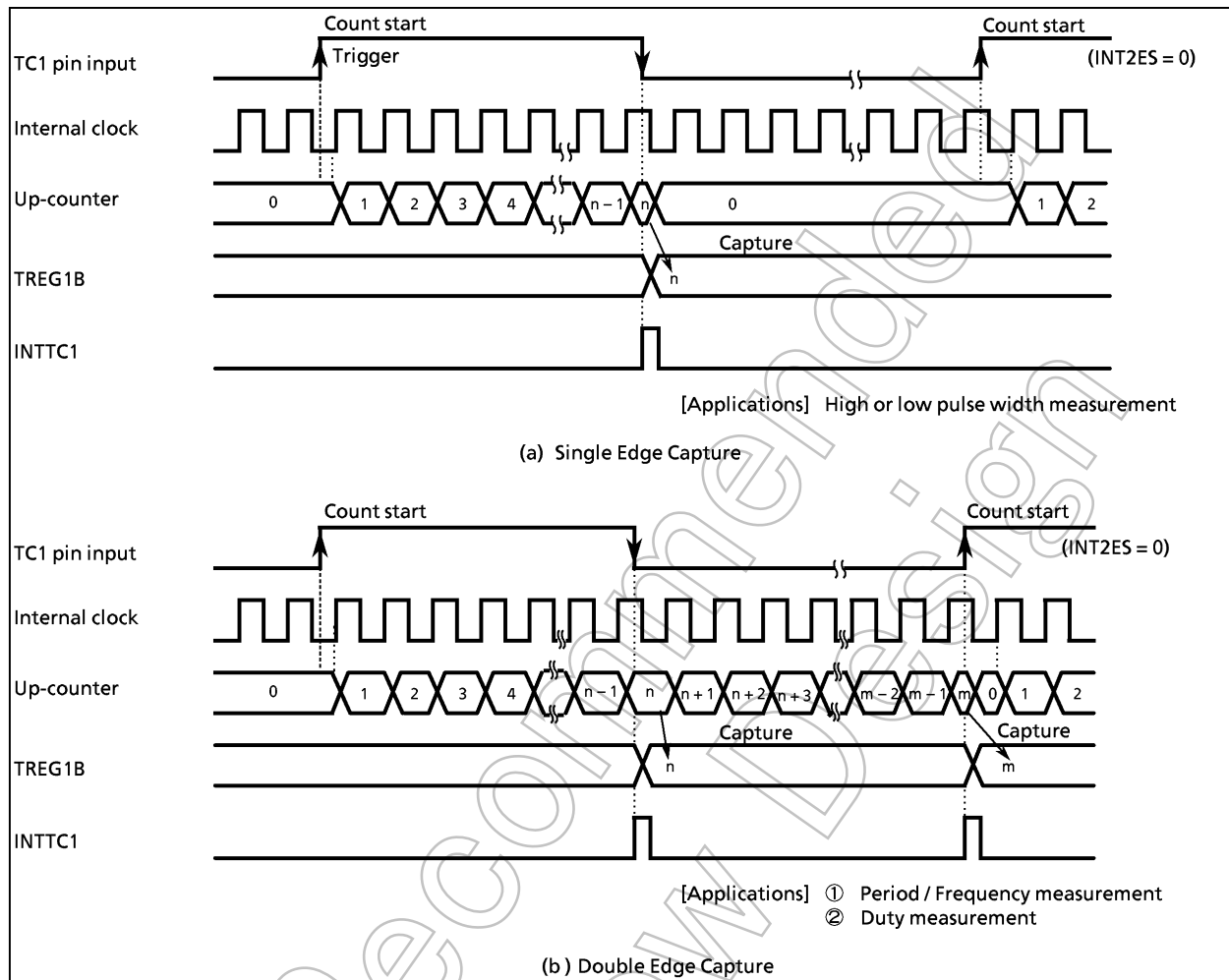


Figure 2-20. Pulse Width Measurement Mode Timing Chart

(6) Programmable Pulse Generate (PPG) output mode

Counting is started by an edge of the TC1 pin input (either the rising or falling edge can be selected) or by a command. The source clock is used an internal clock. First, the contents of TREG1B are compared with the contents of the up-counter. If a match is found, timer F/F1 output is toggled. Next, timer F/F1 is again toggled and the counter is cleared by matching with TREG1A. An INTTC1 interrupt is generated at this time. Timer F/F output is connected to the P14 (PPG) pin. In the case of PPG output, set the P14 output latch to "1" and configure as an output with P1CR4. Timer F/F1 is cleared to "0" during reset. The timer F/F1 value can also be set by program and either a positive or negative logic pulse output is available. Also, writing to the TREG1B is not possible unless the timer / counter 1 is set to the PPG output mode.

Example: "H" level 800 μ s, "L" level 200 μ s pulse output at $f_c = 8$ MHz

```

SET (P1).4 ; P14 output latch←1
LD (P1CR), 00010000B ; Sets P14 to an output mode
LD (TC1CR), 10001011B ; Sets PPG output mode
LDW (TREG1A), 03E8H ; Sets a period (1 ms ÷ 1  $\mu$ s = 03E8H)
LDW (TREG1B), 00C8H ; Sets "L" level pulse width (200  $\mu$ s ÷ 1  $\mu$ s = 00C8H)
LD (TC1CR), 10010011B ; Start
    
```

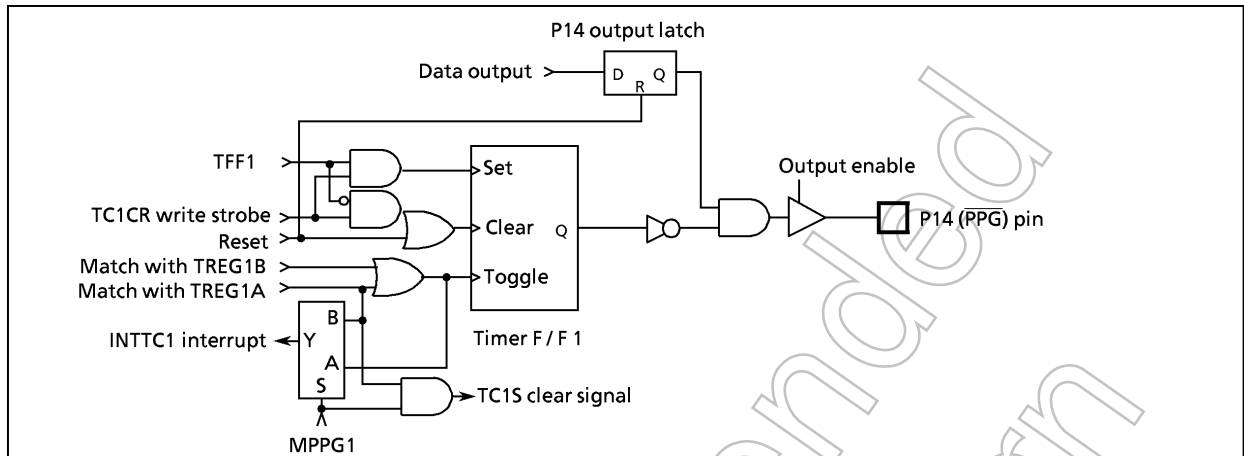


Figure 2-21. $\overline{\text{PPG}}$ Output

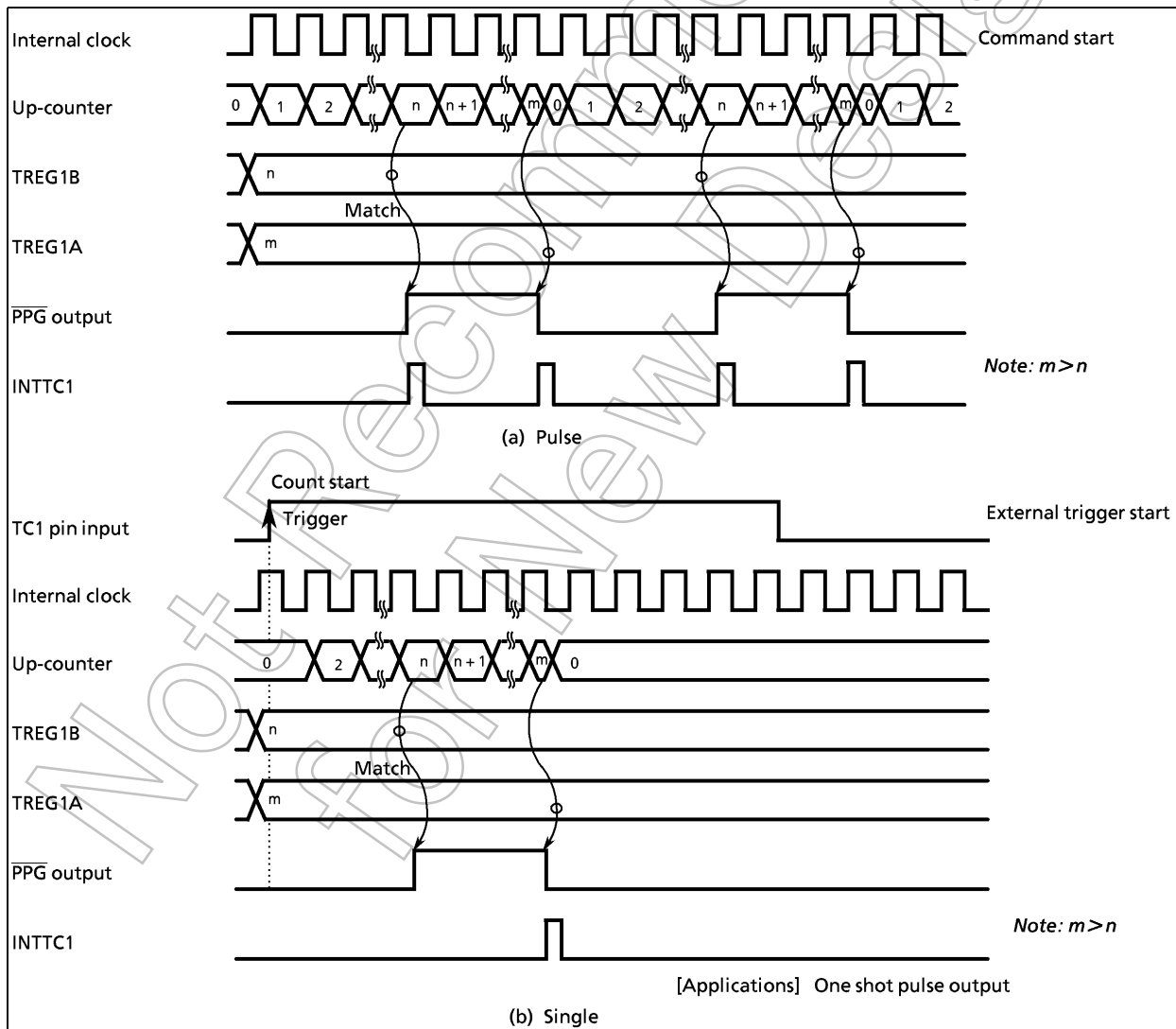


Figure 2-22. PPG Output Mode Timing Chart

2.6 16-bit Timer/Counter 2 (TC2)

2.6.1 Configuration

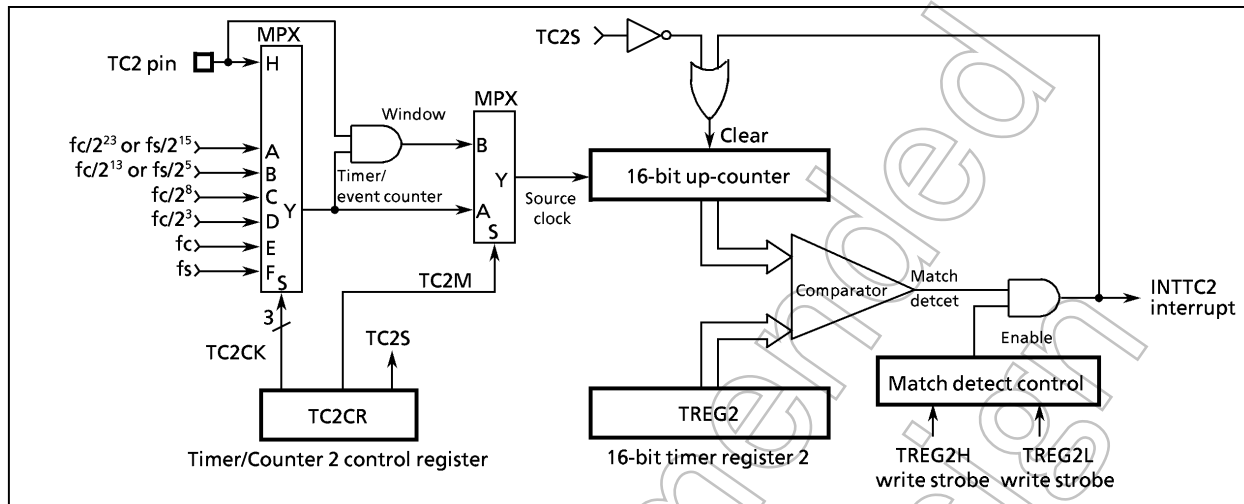


Figure 2-23. Timer/Counter 2 (TC2)

2.6.2 Control

The timer/counter 2 is controlled by a timer/counter 2 control register (TC2CR) and a 16-bit timer register 2 (TREG2). Reset does not affect TREG2.

TREG2 (0016, 0017 _H)		15	14	13	12	11	10	9	8	7	6	5	4	3	2	1	0
		TREG2 _H (0017 _H)										TREG2 _L (0016 _H)					
		Write only															
TC2CR (0015 _H)		7	6	5	4	3	2	1	0								
		TC2S		TC2CK			TC2M			(Initial value: **00 00*0)							
TC2M	Timer/counter 2 operating mode select	0: Timer/Event counter mode 1: Window mode														Write only	
TC2CK	Timer/counter 2 source clock select	000: Internal clock $fc / 2^{23}$ or $fs / 2^{15}$ [Hz] 001: Internal clock $fc / 2^{13}$ or $fs / 2^5$ 010: Internal clock $fc / 2^8$ 011: Internal clock $fc / 2^3$ 100: Internal clock fc (Note 5) 101: Internal clock fs 110: Reserved 111: External clock (TC2 pin input)															
TC2S	Timer/counter 2 start control	0: Stop and counter clear 1: Start															
<p>Note 1: fc; High-frequency clock [Hz], fs; Low-frequency clock [Hz], *; Don't care</p> <p>Note 2: When writing to the low-byte of timer register 2 (TREG2_L), the comparison is inhibited until the high-byte (TREG2_H) is written. After writing to the high-byte, any match during 1 machine cycle (instruction execution cycle) is ignored.</p> <p>Note 3: Set the mode and source clock when timer/counter stops (TC2S = 0).</p> <p>Note 4: Values to be loaded to the timer register must satisfy the following condition. $TREG2 > 0$ ($TREG2_{15-11} > 0$ when warm-up).</p> <p>Note 5: "fc" can be selected as the source clock only in the timer mode during the SLOW mode.</p> <p>Note 6: TC2CR is a write-only register, which cannot access any of in read-modify-write instruction such as bit operate, etc.</p>																	

Figure 2-24. Timer Register 2 and TC2 Control Register

2.6.3 Function

The timer/counter 2 has three operating modes: timer, event counter and window modes. Also timer/counter 2 is used for warm-up when switching from SLOW mode to NORMAL2 mode.

(1) Timer Mode

In this mode, the internal clock is used for counting up. The contents of TREG2 are compared with the contents of up-counter. If a match is found, a timer/ counter 2 interrupt (INTTC2) is generated, and the counter is cleared. Counting up is resumed after the counter is cleared.

Also, when f_c is selected as the source clock during SLOW mode, the lower 11 bits of TREG2 are ignored and an INTTC2 interrupt is generated by matching the upper 5 bits. Thus, in this case, only the TREG2_H setting is necessary.

Table 2-4. Source Clock (Internal Clock) for Timer/Counter 2

Source clock				Resolution		Maximum time setting	
NORMAL1/2, IDLE1/2 mode		SLOW mode	SLEEP mode	At $f_c = 8$ MHz	At $f_s = 32.768$ kHz	At $f_c = 8$ MHz	At $f_s = 32.768$ kHz
DV7CK = 0	DV7CK = 1						
$f_c / 2^{23}$ [Hz]	$f_s / 2^{15}$ [Hz]	$f_s / 2^{15}$ [Hz]	$f_s / 2^{15}$ [Hz]	1.05 s	1 s	19.1 h	18.2 h
$f_c / 2^{13}$	$f_s / 2^5$	$f_s / 2^5$	$f_s / 2^5$	1.02 ms	1 ms	1.1 min	1 min
$f_c / 2^8$	$f_c / 2^8$	–	–	32 μ s	–	2.1 s	–
$f_c / 2^3$	$f_c / 2^3$	–	–	1 μ s	–	65.5 ms	–
–	–	f_c (Note)	–	125 ns	–	7.936 ms	–
f_s	f_s	–	–	–	30.5 μ s	–	2 s

Note: " f_c " can be used only in the timer mode. This is used for warm up when switching from SLOW mode to NORMAL2 mode.

Example: Sets the timer mode with source clock $f_c / 2^3$ [Hz] and generates an interrupt every 25 ms (at $f_c = 8$ MHz).

```
LD      (TC2CR), 00001100B      ; Sets the TC2 mode and source clock
LDW    (TREG2), 61A8H          ; Sets TREG2 (25 ms  $\div$  23/fc = 61A8H)
SET    (EIRH).EF14            ; Enable INTTC2
EI
LD      (TC2CR), 00101100B      ; Starts TC2
```

(2) Event Counter Mode

In this mode, events are counted on the rising edge of the TC2 pin input. The contents of TREG2 are compared with the contents of the up-counter. If a match is found, an INTTC2 interrupt is generated, and the counter is cleared. The maximum frequency applied to the TC2 pin is $f_c / 2^4$ [Hz] in NORMAL1/2 or IDLE1/2 mode, and $f_s / 2^4$ [Hz] in SLOW or SLEEP mode. But, a pulse width of 2 machine cycles or more is required for both "H" and "L" level.

Example: Sets the event counter mode and generates an INTTC2 interrupt 640 counts later.

```
LD      (TC2CR), 00011100B      ; Sets the TC2 mode
LDW    (TREG2), 640            ; Sets TREG2
SET    (EIRH).EF14            ; Enable INTTC2
EI
LD      (TC2CR), 00111100B      ; Starts TC2
```

(3) Window Mode

In this mode, counting up is performed on the rising edge of the pulse that is the logical AND-product of the TC2 pin input (window pulse) and an internal clock. The internal clock is selected with TC2CK. The contents of TREG2 are compared with the contents of up-counter. If a match is found, an INTTC2 interrupt is generated, and the up-counter is cleared to "0". It is necessary that the maximum applied frequency (TC2 input) be such that the counter value can be analyzed by the program. That is, the frequency must be considerably slower than the selected internal clock.

Example: Inputs "H" level pulse of 120 ms or more and generates interrupt. (at $f_c = 8 \text{ MHz}$).

```
LDW      (TREG2), 0078H      ; Sets TREG2 (120 ms ÷ 213/fc = 0078H)
SET      (EIRH).EF14        ; Enables INTTC2 interrupt
EI
LD       (TC2CR), 00100101B ; Starts TC2
```

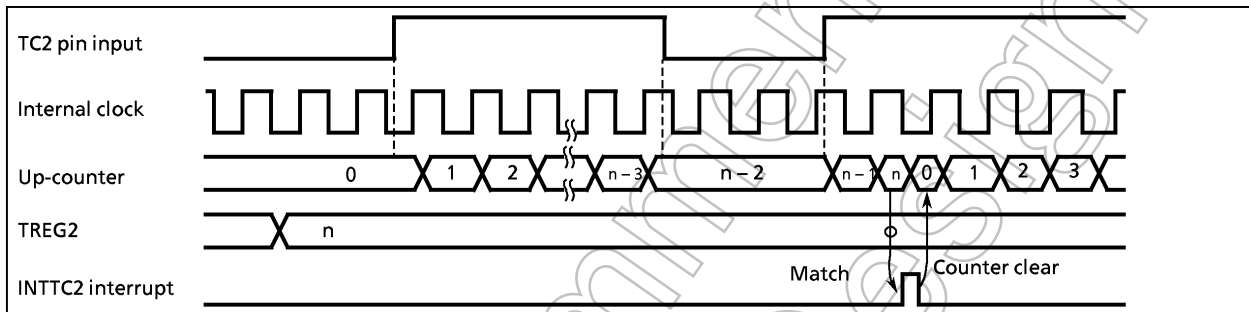


Figure 2-25. Window Mode Timing Chart

2.7 8-Bit Timer/Counter 3 (TC3)
2.7.1 Configuration

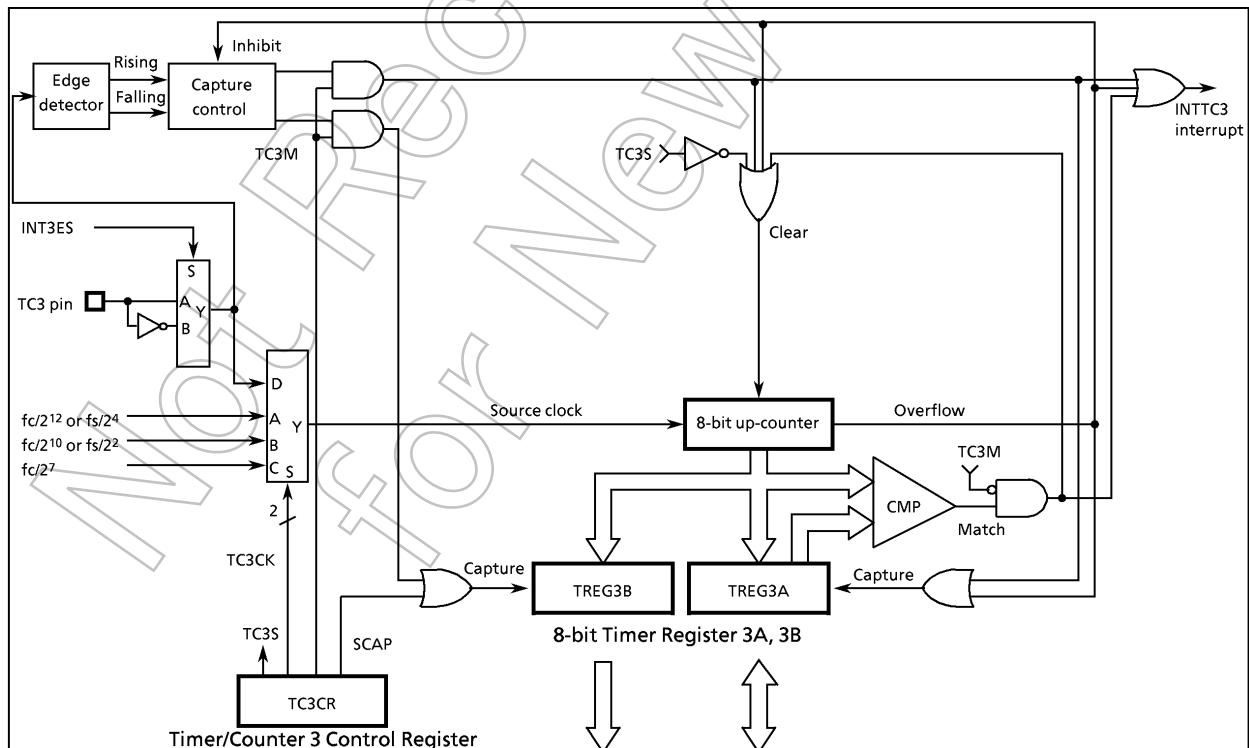


Figure 2-26. Timer/Counter 3

2.7.2 Control

The timer/counter 3 is controlled by a timer/counter 3 control register (TC3CR) and two 8-bit timer registers (TREG3A and TREG3B). Reset does not affect these timer registers.

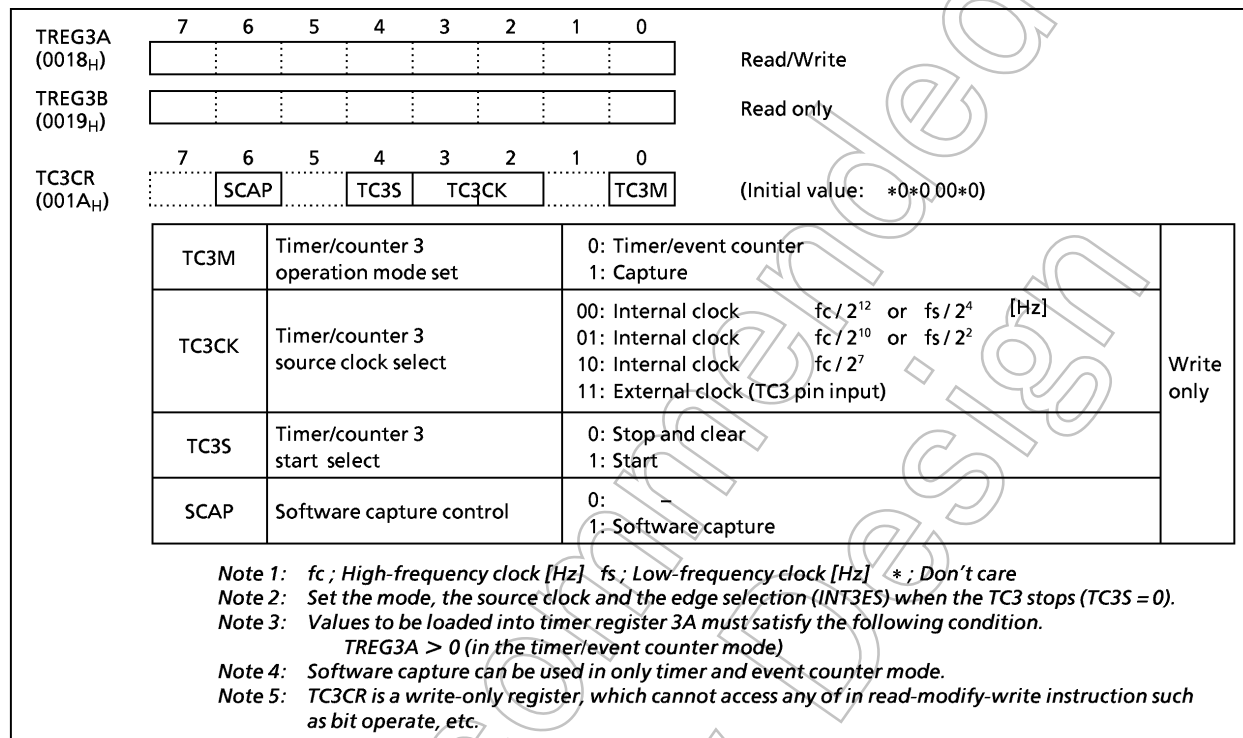


Figure 2-27. Timer Register 3A/3B and TC3 Control Register

2.7.3 Function

The timer/counter 3 has three operating modes: timer, event counter, and capture mode.

(1) Timer Mode

In this mode, the internal clock is used for counting up. The contents of TREG3A are compared with the contents of up-counter. If a match is found, a timer/counter 3 interrupt (INTTC3) is generated, and the up-counter is cleared. Counting up resumes after the up-counter is cleared. The current contents of up-counter are loaded into TREG3B by setting SCAP (bit 6 in TC3CR) to "1". SCAP is automatically cleared after capturing.

Table 2-5. Source Clock (Internal Clock) for Timer Counter 3

Source clock		SLOW, SLEEP mode	Resolution		Maximum time setting	
NORMAL1/2, IDLE1/2 mode			At $fc = 8$ MHz	At $fs = 32.768$ kHz	At $fc = 8$ MHz	At $fs = 32.768$ kHz
DV7CK = 0	DV7CK = 1					
$fc / 2^{12}$	$fs / 2^4$ [Hz]	$fs / 2^4$ [Hz]	512 μs	488.28 μs	130.6 ms	124.5 ms
$fc / 2^{10}$	$fs / 2^2$	–	128 μs	122.07 μs	32.6 ms	31.1 ms
$fc / 2^7$	$fc / 2^7$	–	16 μs	–	4.1 ms	–

(2) Event Counter Mode

In this mode, the TC3 pin input pulses are used for counting up. Either the rising or falling edge can be selected with INT3ES (bit 3 in EINTCR). The contents of TREG3A are compared with the contents of the up-counter. If a match is found, an INTTC3 interrupt is generated and the counter is cleared. The maximum applied frequency is $f_c/2^4$ [Hz] in the NORMAL1/2 or IDLE1/2 mode, and $f_s/2^4$ [Hz] in SLOW or SLEEP mode. Two or more machine cycles are required for both the "H" and "L" levels of the pulse width.

The current contents of up-counter are loaded into TREG3B by setting SCAP (bit 6 in TC3CR) to "1". SCAP is automatically cleared after capturing.

Example: Generates an interrupt every 0.5 s, inputting 50Hz pulses to the TC3 pin.

```
LD (TC3CR), 00001100B ; Sets TC3 mode and source clock
LD (TREG3A), 19H      ;  $0.5\text{ s} \div 1/50 = 25 = 19_{\text{H}}$ 
LD (TC3CR), 00011100B ; Start TC3
```

(3) Capture Mode

The pulse width, period and duty of the TC3 pin input are measured in this mode, which can be used in decoding the remote control signals, etc. The counter is free running by the internal clock. On the rising (falling) edge of the TC3 pin input, the current contents of counter is loaded into TREG3A, then the up-counter is cleared and an INTTC3 interrupt is generated. On the falling (rising) edge of the TC3 pin input, the current contents of the counter is loaded into the TREG3B. In this case, counting continues. At the next rising (falling) edge of the TC3 pin input, the current contents of counter are loaded into TREG3A, then the counter is cleared again and an interrupt is generated. If the counter overflows before the edge is detected, FF_H is set to the TREG3A and an overflow interrupt (INTTC3) is generated. During interrupt processing, it can be determined whether or not there is an overflow by checking whether or not the TREG3A value is FF_H. Also, after an interrupt (capture to TREG3A, or overflow detection) is generated, capture and overflow detection are halted until TREG3A has been read out; however, the counter continues.

When the TREG3A has been read out, capture and overflow detection resumes.

Thus, it is general to read out TREG3B before reading out TREG3A.

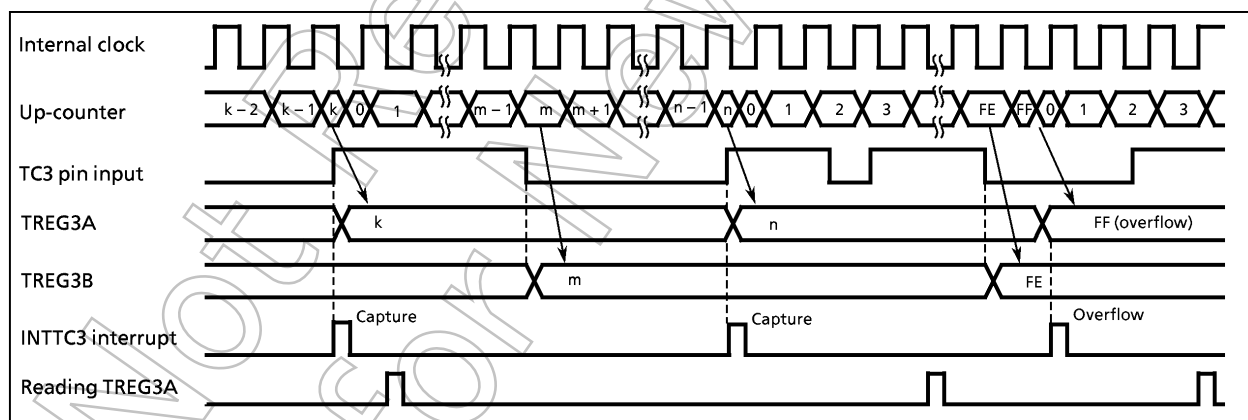


Figure 2-28. Timing Chart for Capture Mode (INT3ES = 0)

2.8 8-bit Timer/Counter 5 (TC5)
2.8.1 Configuration

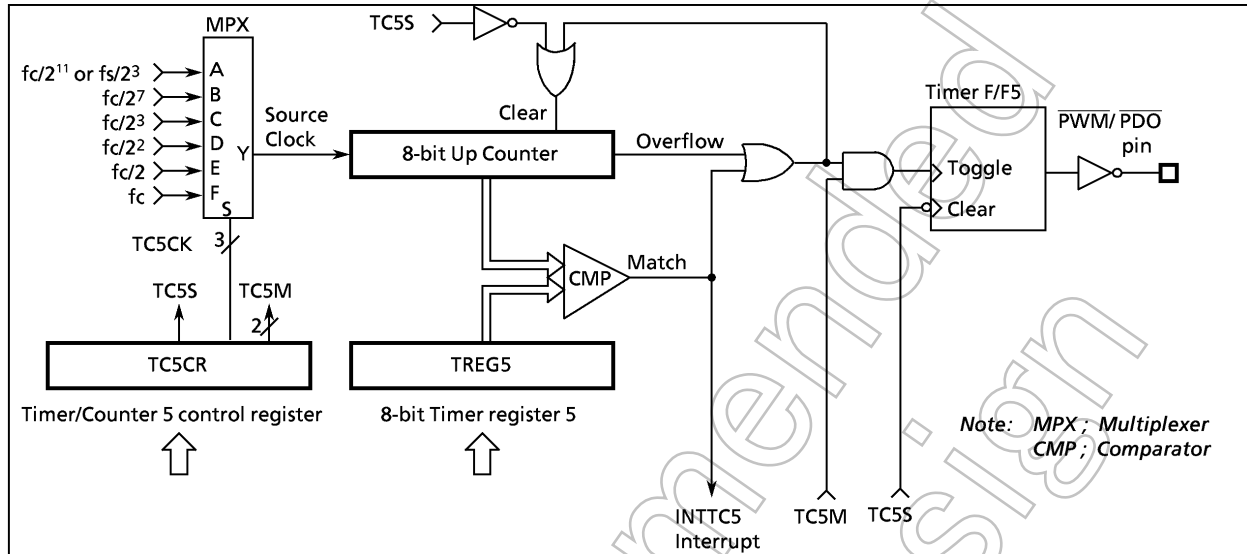


Figure 2-29. Timer/Counter 5 (TC5)

2.8.2 Control

The TC5 is controlled by a timer/counter 5 control register (TC5CR) and an 8-bit timer register 5 (TREG5).

TREG5 (001DH)	7 6 5 4 3 2 1 0	Write only
TC5CR (001EH)	7 6 5 4 3 2 1 0	(Initial: **00 0000)
TC5M	TC5 Operating mode select	00: Timer mode 01: Reserved 10: Programmable divider output (PDO) mode 11: Pulse width modulation (PWM) output mode
TC5CK	TC5 Source clock select	000: Reserved 001: Internal clock $fc/2^{11}$ or $fs/2^3$ [Hz] 010: Internal clock $fc/2^7$ 011: Internal clock $fc/2^3$ 100: Internal clock $fc/2^2$ 101: Internal clock $fc/2$ 110: Internal clock fc 111: Reserved
TC5S	TC5 Start control	0: Stop and clear 1: Start

Note 1: fc ; High-frequency clock [Hz], fs ; Low-frequency clock [Hz], * ; Don't care
 Note 2: The set value of timer register must satisfy the following conditions.
 (a) When in PWM output mode, $5 < TREG5 < 251$
 (b) When in any other mode than PWM output mode, $0 < TREG5$
 Note 3: Source clock $fc/2^2$, $fc/2$, and fc cannot be used except in PWM output mode.
 Note 4: Set the operating mode and the source clock selection when timer/counter stops ($TC5S = 0$).

Figure 2-30. Timer/Counter 5 Timer register, Control register

2.8.3 Function

TC5 has 3 operating modes: timer, programmable divider output, and pulse width modulation output mode.

(1) **Timer mode**

In this mode, the internal clock is used for counting up. The contents of the timer register 5 (TREG5) is compared with the contents of the up-counter. Matching with TREG5 generates a timer/counter 5 interrupt (INTTC5) and clears the counter. Counting up resumes after the counter is cleared.

Table 2-6. Source Clock (Internal clock) for TC5

Source clock		SLOW, SLEEP mode	Resolution		Maximum setting time	
NORMAL1/2, IDLE1/2 mode DV7CK = 0	DV7CK = 1		fc = 8 MHz	fs = 32.768 kHz	fc = 8 MHz	fs = 32.768 kHz
fc/2 ¹¹ [Hz]	fs/2 ³ [Hz]	fs/2 ³ [Hz]	256 μs	244.14 μs	65.3 ms	62.3 ms
fc/2 ⁷	fc/2 ⁷	-	16 μs	-	4.1 ms	-
fc/2 ³	fc/2 ³	-	1 μs	-	255 μs	-

(2) **Programmable divider output (PDO) mode**

The internal clock is used for counting up. The contents of the TREG5 are compared with the contents of the up-counter. The timer F/F5 output is toggled and the counter is cleared each time a match is found. The timer F/F5 output is inverted and output to the P $\overline{D}0$ (P41) pin. In the case of P $\overline{D}0$ output, set the P41 output latch to "1" and configure as an output with P4CR1. This mode can be used for 50% duty pulse output. INTTC5 interrupt is generated each time the P $\overline{D}0$ output is toggled.

Example: 1024Hz pulse output (at fc = 4.194304 MHz)

```

SET    (P4).1      ; P41 output latch←1
LD     (TC5CR), 00001010B ; Sets to TC5 modes and source clock
LD     (TREG5), 10H    ; (1/1024 ÷ 27/fc) ÷ 2 = 10H
LD     (TC5CR), 00101010B ; Starts TC5
    
```

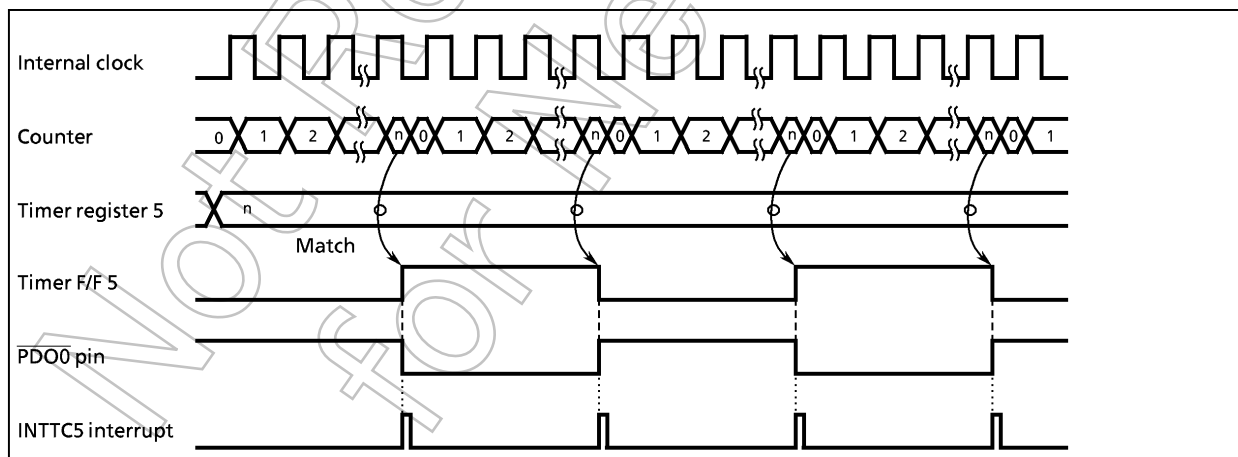


Figure 2-31. PDO Mode Timing Chart

(3) **Pulse width modulation (PWM) output mode**

PWM output with a resolution of 8-bits is possible. The internal clock is used for counting up. The contents of the TREG5 is compared with the contents of the up-counter. If a match is found, the timer F/F5 output is toggled. The counter continues counting and, when an overflow occurs, the timer F/F5 is again toggled and the counter is cleared. The timer F/F5 output is inverted and output to the $\overline{\text{PWM}}$ (P41) pin. In the case of $\overline{\text{PWM}}$ output, set the P41 output latch to "1" and configure as an output with P4CRI. An INTTC5 interrupt is generated when an overflow occurs.

TREG5 is configured a 2-stage shift register and, during output, will not switch until one output cycle is completed even if TREG5 is overwritten; therefore, output can be altered continuously. Also, the first time, TREG5 is shifted by setting TC5S (bit 5 in TC5CR) to "1" after data are loaded to TREG5.

Note 1: Do not overwrite TREG5 only when an INTTC5 interrupt is generated. Usually, TREG5 is overwritten in the routine of INTTC5 interrupt service.

Note 2: PWM output mode can be used only in the NORMAL 1, 2 and IDLE1, 2 mode.

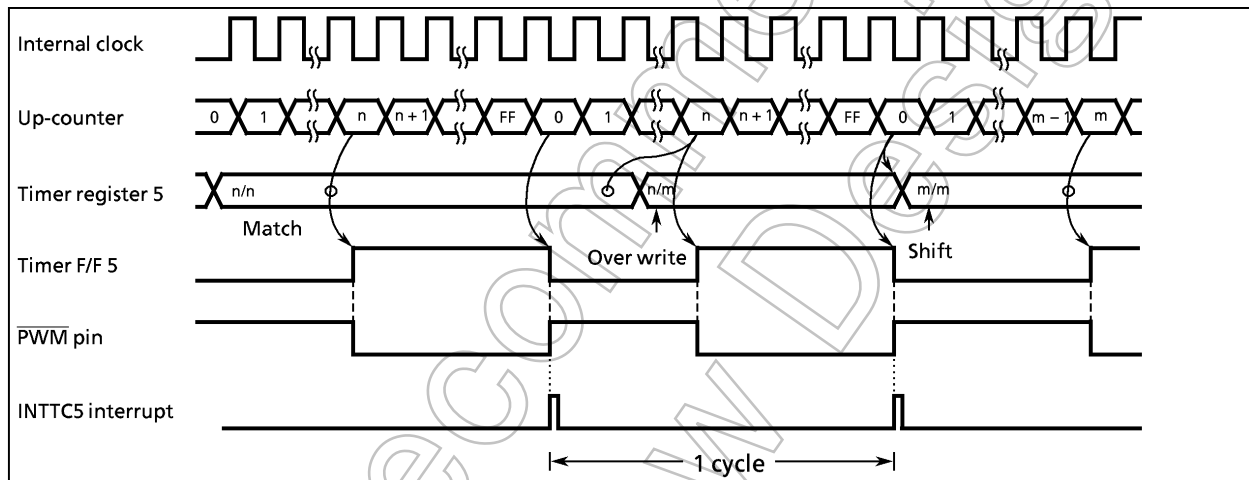


Figure 2-32. PWM Output Mode Timing Chart

Table 2-7. PWM Output Mode

Source clock		Resolution		Repeat cycle	
NORMAL1/2, IDLE1/2 mode		At $f_c = 8\text{MHz}$	At $f_c = 4.194304\text{MHz}$	At $f_c = 8\text{MHz}$	At $f_c = 4.194304\text{MHz}$
DV7CK = 0	DV7CK = 1				
$f_c/2^2$ [Hz]		500ns	953.7ns	128 μs	244 μs
$f_c/2$		250ns	476.8ns	64 μs	122 μs
f_c		125ns	238.4ns	32 μs	61 μs

2.9 Serial Interface (SIO1, SIO2)

The TMP87CM23A/P23 each have two clocked-synchronous 8-bit serial interfaces (SIO1 and SIO2). Each serial interface has an 8-byte transmit and receive data buffer that can automatically and continuously transfer up to 64 bits of data.

The serial interfaces are connected to external devices via pins P44 (SO1), P43 (SI1), P42 ($\overline{SCK1}$) for SIO1 and P47 (SO2), P46 (SI2), P45 ($\overline{SCK2}$) for SIO2. The serial interface pins are also used as port P4. When used as serial interface pins, the output latches of these pins should be set to "1". In the transmit mode, pins P43 and P46 can be used as normal I/O ports, and in the receive mode, the pins P44 and P47 can be used as normal I/O ports.

2.9.1 Configuration

The SIO1 and SIO2 have the same configuration, except for the addresses/bit positions of the control/status registers and buffer registers.

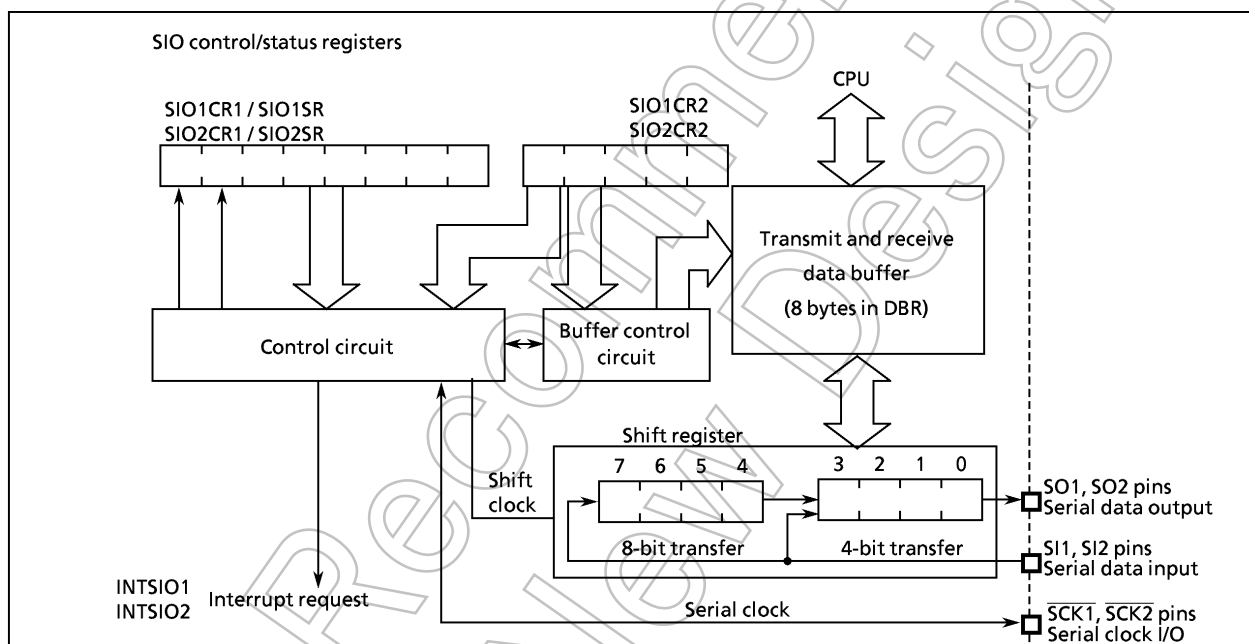


Figure 2-33. Serial Interfaces

2.9.2 Control

The serial interfaces are controlled by SIO control registers (SIO1CR1/SIO1CR2 or SIO2CR1/SIO2CR2). The serial interface status can be determined by reading SIO status registers (SIO1SR or SIO2SR).

The transmit and receive data buffer is controlled by the BUF (bits 2-0 in SIO1CR2/SIO2CR2). The data buffer is assigned to addresses 0FF0_H - 0FF7_H for SIO1 or 0FF8_H - 0FFF_H for SIO2 in the DBR area, and can continuously transfer up to 8 words (bytes or nibbles) at one time. When the specified number of words has been transferred, a buffer empty (in the transmit mode) or a buffer full (in the receive mode or transmit/receive mode) interrupt (INTSIO1 or INTSIO2) is generated.

When the internal clock is used as the serial clock in the 8-bit receive mode and the 8-bit transmit/receive mode, a fixed interval wait can be applied to the serial clock for each word transferred. Four different wait times can be selected with WAIT (bits 4 and 3 in SIO1CR2/SIO2CR2).

SIO1, SIO2 Control Registers 1

	7	6	5	4	3	2	1	0	
SIO1CR1 (0020 _H)	SIOS	SIOINH	SIOM			SCK			(Initial value: 0000 0000)
SIO2CR1 (0022 _H)	SIOS	Indicate transfer start/stop		0: Stop 1: Start		Write only			
	SIOINH	Continue/abort transfer		0: Continue transfer 1: Abort transfer (automatically cleared after abort)					
	SIOM	Transfer mode select		000: 8-bit transmit mode 010: 4-bit transmit mode 100: 8-bit transmit/receive mode 101: 8-bit receive mode 110: 4-bit receive mode					
	SCK	Serial clock select		000: Internal clock $f_c / 2^{13}$ or $f_s / 2^5$ [Hz] 001: Internal clock $f_c / 2^8$ 010: Internal clock $f_c / 2^6$ 011: Internal clock $f_c / 2^5$ 111: External clock (input from SCK pin)					

Note 1: f_c ; High-frequency clock [Hz], f_s ; Low-frequency clock [Hz]

Note 2: Set SIOS to "0" and SIOINH to "1" when setting the transfer mode or serial clock.

Note 3: SIO1CR1/SIO2CR1 are write-only registers, which cannot access any of in read-modify-write instruction such as bit operate, etc.

SIO1, SIO2 Status Registers

	7	6	5	4	3	2	1	0	
SIO1SR (0020 _H)	SIOF	SEF	"1"	"1"	"1"	"1"	"1"	"1"	
SIO2SR (0022 _H)	SIOF	Serial transfer operating status monitor		0: Transfer terminated 1: Transfer in process		(After SIOS is cleared to "0", SIOF is cleared to "0" at the termination of transfer or setting of SIOINH.)			Read only
	SEF	Shift operating status monitor		0: Shift operation terminated 1: Shift operation in process					

SIO1, SIO2 Control Registers 2

	7	6	5	4	3	2	1	0	
SIO1CR2 (0021 _H)			WAIT			BUF			(Initial value: ***0 0000)
SIO2CR2 (0023 _H)	WAIT	Wait control		Always sets "00" except 8-bit transmit/receive mode. 00: $T_f = T_D$ (non-wait) 01: $T_f = 2T_D$ 10: $T_f = 4T_D$ 11: $T_f = 8T_D$ (wait)		Buffer address used SIO1 SIO2			Write only
	BUF	Number of transfer words		000: 1 word transfer OFF0 _H OFF8 _H 001: 2 words transfer OFF0 - OFF1 _H OFF8 - OFF9 _H 010: 3 words transfer OFF0 - OFF2 _H OFF8 - OFFA _H 011: 4 words transfer OFF0 - OFF3 _H OFF8 - OFFB _H 100: 5 words transfer OFF0 - OFF4 _H OFF8 - OFFC _H 101: 6 words transfer OFF0 - OFF5 _H OFF8 - OFFD _H 110: 7 words transfer OFF0 - OFF6 _H OFF8 - OFFE _H 111: 8 words transfer OFF0 - OFF7 _H OFF8 - OFFF _H					

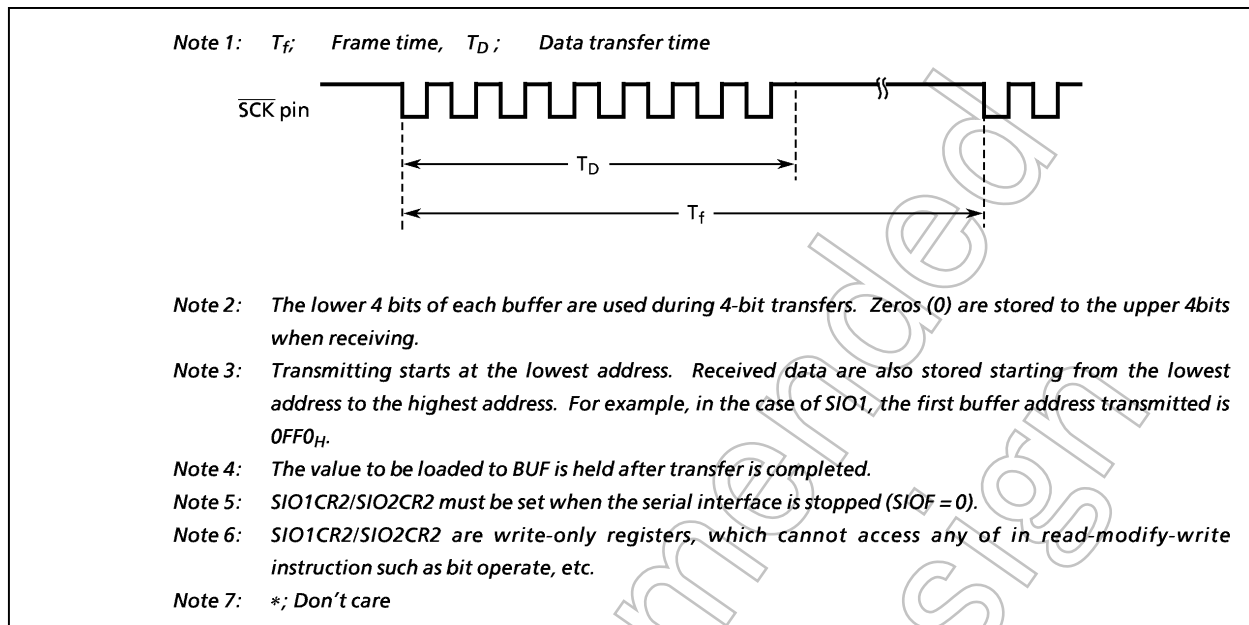


Figure 2-34. SIO Control Registers and Status Registers

(1) Serial Clock

a. Clock Source

SCK (bits 2 - 0 in SIO1CR1/SIO2CR1) is able to select the following:

① Internal Clock

Any of four frequencies can be selected. The serial clock is output to the outside on the $\overline{SCK1} / \overline{SCK2}$ pin. The \overline{SCK} pin goes high when transfer starts.

When data writing (in the transmit mode) or reading (in the receive mode or the transmit/receive mode) cannot keep up with the serial clock rate, there is a wait function that automatically stops the serial clock and holds the next shift operation until the read/write processing is completed.

Table 2-8. Serial Clock Rate

Serial clock			Maximum transfer rate	
NORMAL1/2, IDLE1/2 mode		SLOW, SLEEP mode	At $f_c = 8$ MHz	At $f_s = 32.768$ kHz
DV7CK = 0	DV7CK = 1			
$f_c / 2^{13}$ [Hz]	$f_s / 2^5$ [Hz]	$f_s / 2^5$ [Hz]	0.954 Kbit/s	1 Kbit/s
$f_c / 2^8$	$f_c / 2^8$	—	30.5	—
$f_c / 2^6$	$f_c / 2^6$	—	122	—
$f_c / 2^5$	$f_c / 2^5$	—	244	—

Note: 1 Kbit = 1024 bit

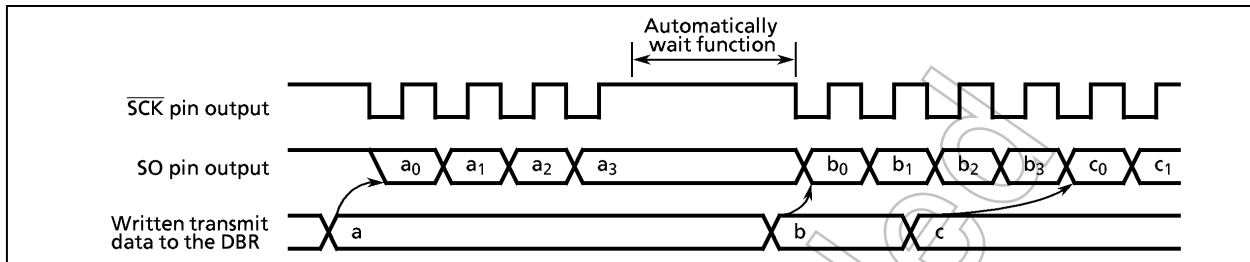
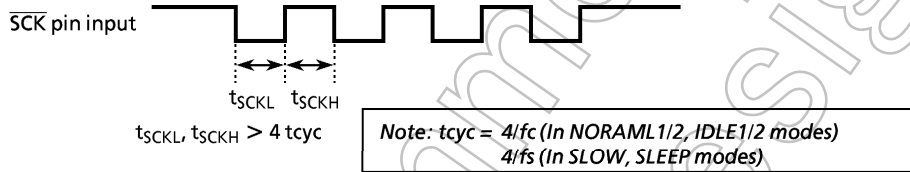


Figure 2-35. Clock Source (Internal Clock)

② External Clock

An external clock connected to the $\overline{SCK1}$ / $\overline{SCK2}$ pin is used as the serial clock. In this case, the P42 ($\overline{SCK1}$) / P45 ($\overline{SCK2}$) output latch must be set to "1". To ensure shifting, a pulse width of at least 4 machine cycles is required. Thus, the maximum transfer speed is 244K-bit/s. (at $f_c = 8$ MHz).



b. Shift edge

The leading edge is used to transmit, and the trailing edge is used to receive.

① Leading Edge

Transmitted data are shifted on the leading edge of the serial clock (falling edge of the \overline{SCK} pin input/output).

② Trailing Edge

Received data are shifted on the trailing edge of the serial clock (rising edge of the \overline{SCK} pin input/output).

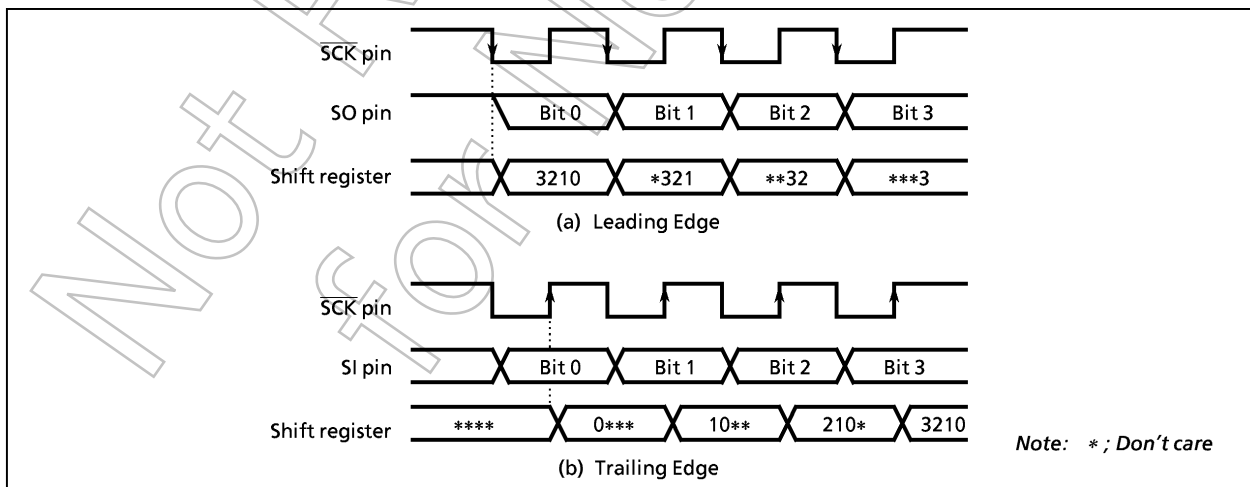


Figure 2-36. Shift Edge

(2) Number of Bits to Transfer

Either 4-bit or 8-bit serial transfer can be selected. When 4-bit serial transfer is selected, only the lower 4 bits of the transmit/receive data buffer register are used. The upper 4 bits are cleared to "0" when receiving.

The data is transferred in sequence starting at the least significant bit (LSB).

(3) Number of Words to Transfer

Up to 8 words consisting of 4 bits of data (4-bit serial transfer) or 8 bits (8-bit serial transfer) of data can be transferred continuously. The number of words to be transferred is loaded to BUF.

An INTSIO interrupt is generated when the specified number of words has been transferred. If the number of words is to be changed during transfer, the serial interface must be stopped before making the change. The number of words can be changed during automatic-wait operation of an internal clock. In this case, the serial interface is not required to be stopped.

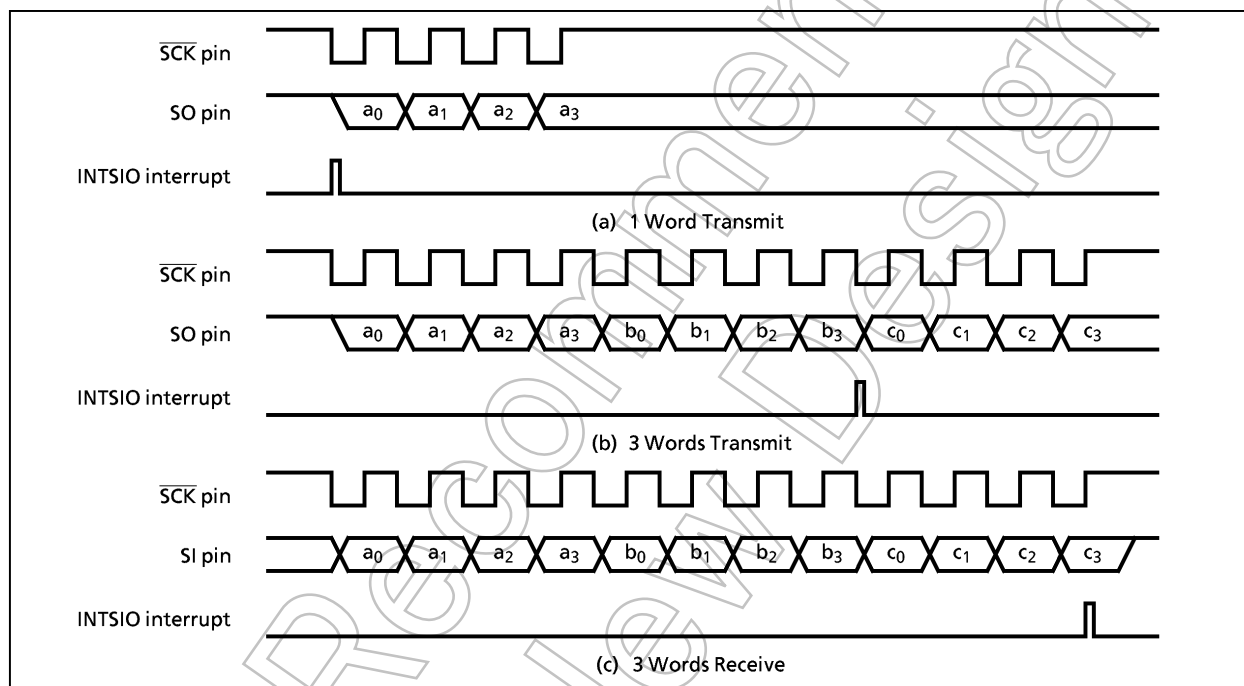


Figure 2-37. Number of Bits to Transfer (Example: 4-bit serial transfer)

2.9.3 Transfer Mode

SIOM (bits 5 - 3 in SIO1CR1/SIO2CR1) is used to select the transmit, receive, or transmit/receive mode.

(1) 4-bit and 8-bit Transmit Modes

In these modes, the SIO1CR1/SIO2CR1 is set to the transmit mode and then the data to be transmitted first are written to the data buffer registers (DBR). After the data are written, the transmission is started by setting SIOS to "1". The data are then output sequentially to the SO pin in synchronous with the serial clock, starting with the least significant bit (LSB). As soon as the LSB has been output, the data are transferred from the data buffer register to the shift register. When the final data bit has been transferred and the data buffer register is empty, an INTSIO (buffer empty) interrupt is generated to request the next transmitted data.

When the internal clock is used, the serial clock will stop and an automatic-wait will be initiated if the next transmitted data are not loaded to the data buffer register by the time the number of data words specified with the BUF has been transmitted. Writing even one word of data cancels the automatic-wait; therefore, when transmitting two or more words, always write the next word before transmission of the previous word is completed.

Note: Automatic-waits are also canceled by writing to a DBR not being used as a transmit data buffer register; therefore, during SIO do not use such DBR for other applications. For example, when 3 words are transmitted, do not use the DBR of the remained 5 words.

When an external clock is used, the data must be written to the data buffer register before shifting next data. Thus, the transfer speed is determined by the maximum delay time from the generation of the interrupt request to writing of the data to the data buffer register by the interrupt service program.

When the transmit is started, after the SIOF goes "high" output from the SO pin holds final bit of the last data until falling edge of the \overline{SCK} .

The transmission is ended by clearing SIOS to "0" or setting SIOINH to "1" in buffer empty interrupt service program. That the transmission has ended can be determined from the status of SIOF (bit 7 in SIO1SR/SIO2SR) because SIOF is cleared to "0" when a transfer is completed.

When SIOHIN is set, the transmission is immediately ended and SIOF is cleared to "0".

If it is necessary to change the number of words, SIOS should be cleared to "0", then BUF must be rewritten after confirming that SIOF has been cleared to "0".

When an external clock is used, it is also necessary to clear SIOS to "0" before shifting the next data; otherwise, dummy data will be transmitted and the operation will end.

Not Recommended
for New Design

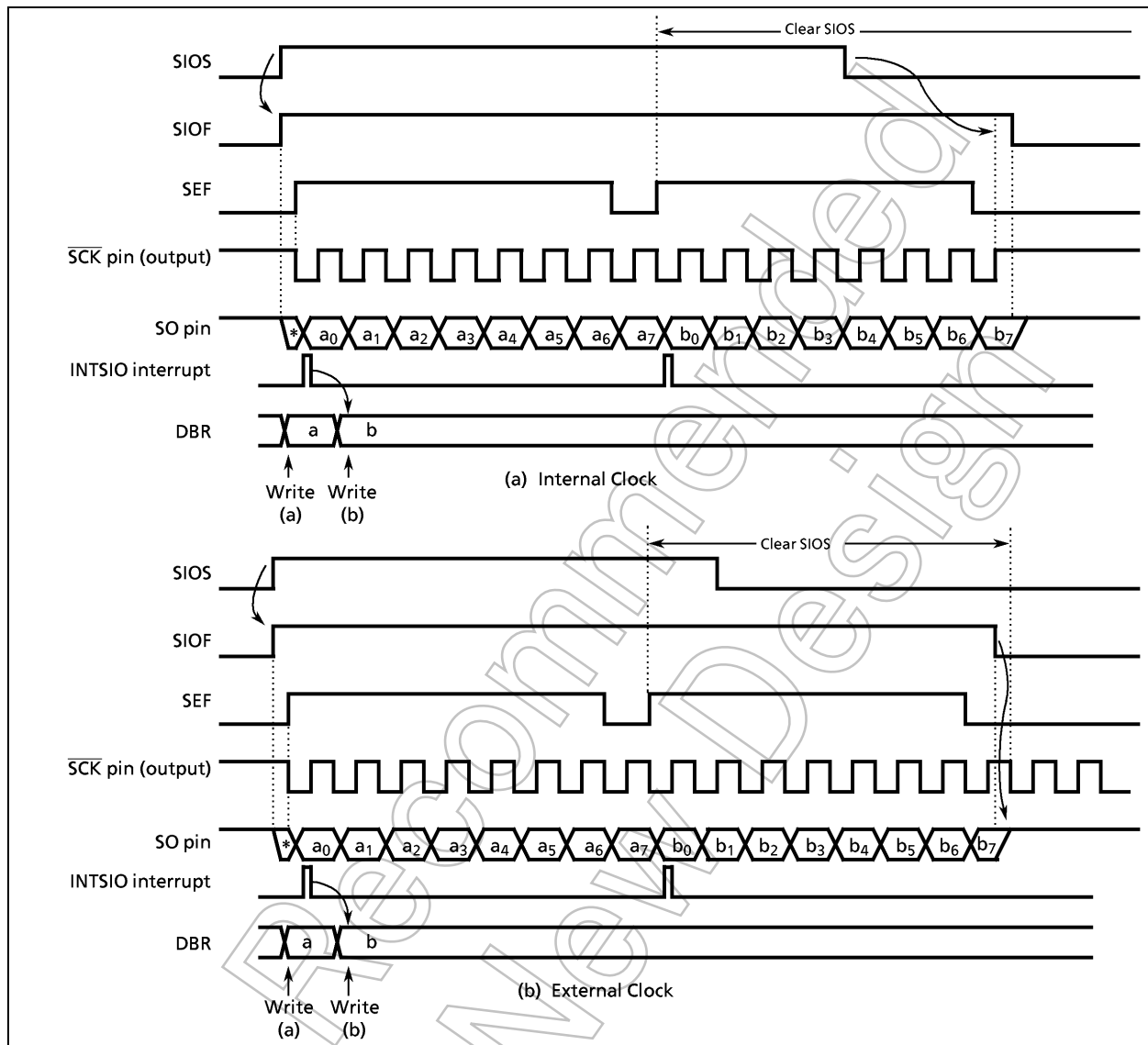


Figure 2-38. Transfer Mode (Example: 8-bit, 1 Word Transfer)

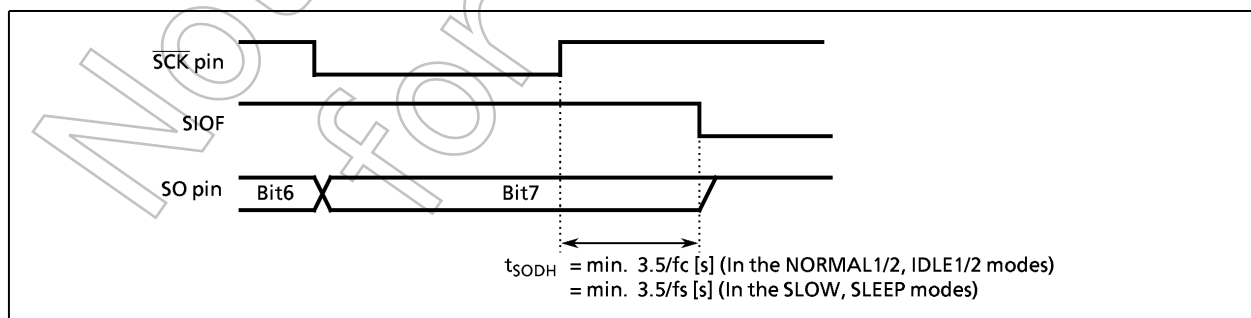


Figure 2-39. Transmitted Data Hold Time at end of transmit

(2) 4-bit and 8-bit Receive Modes

After setting the control registers to the receive mode, set SIOS to "1" to enable receiving. The data are then transferred to the shift register via the SI pin in synchronous with the serial clock. When one word of data has been received, it is transferred from the shift register to the data buffer register (DBR). When the number of words specified with the BUF has been received, an INTSIO (buffer full) interrupt is generated to request that these data be read out. The data are then read from the data buffer registers by the interrupt service program.

When the internal clock is used, and the previous data are not read from the data buffer register before the next data are received, the serial clock will stop and an automatic-wait will be initiated until the data are read. A wait will not be initiated if even one data word has been read.

Note: Waits are also canceled by reading a DBR not being used as a received data buffer register is read; therefore, during SIO do not use such DBR for other applications.

When an external clock is used, the shift operation is synchronized with the external clock; therefore, the previous data are read before the next data are transferred to the data buffer register. If the previous data have not been read, the next data will not be transferred to the data buffer register and the receiving of any more data will be canceled. When an external clock is used, the maximum transfer speed is determined by the delay between the time when the interrupt request is generated and when the data received have been read.

The receiving is ended by clearing SIOS to "0" or setting SIOINH to "1" in buffer full interrupt service program. When SIOINH is set, the receiving is immediately ended SIOF is cleared to "0". When SIOS is cleared, the current data are transferred to the buffer. After SIOS cleared, the transmissions is ended at the time that the final bit of the data being shifted has been output. That the transmission has ended can be determined from the status of SIOF (bit 7 in SIOSR). SIOF is cleared to "0" when the transmission is ended. After confirmed the receiving termination, the final receiving data is read. When SIOINH is set, the transmission is immediately ended and SIOF is cleared to "0". (The received data is ignored, and it is not required to be read out.) If the number of words is to be changed during transfer, SIOS must be cleared to "0" and BUF is rewritten after SIOF is determined to be cleared to "0" during automatic-wait operation of an external clock operation. The number of words can be changed in an internal clock. In this case, BUF must be rewritten before the received data is read out.

If it is necessary to change the number of words in external clock operation, SIOS should be cleared to "0" then BUF must be rewritten after confirming that SIOF has been cleared to "0".

If it is necessary to change the number of words in internal clock, during automatic-wait operation which occurs after completion of data receive, BUF must be rewritten before the received data is read out.

Note: The buffer contents are lost when the transfer mode is switched. If it should become necessary to switch the transfer mode, end receiving by clearing SIOS to "0", read the last data and then switch the transfer mode.

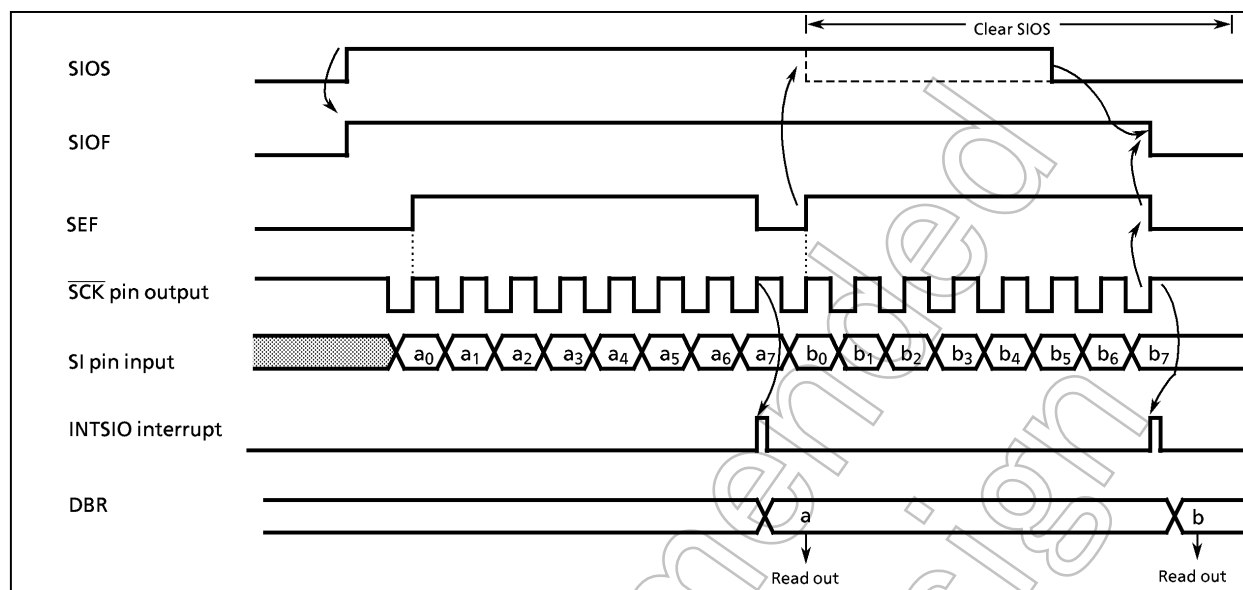


Figure 2-40. Receive Mode (Example: 8-bit, 1 word, internal clock)

(3) 8-bit Transmit/Receive Mode

After setting the control registers to the 8-bit transmit/receive mode, write the data to be transmitted first to the data buffer registers (DBR). After that, enable transceiving by setting SIOS to "1". When transmitting, the data are output from the SO pin at leading edges of the serial clock. When receiving, the data are input to the SI pin at the trailing edges of the serial clock. 8-bit data are transferred from the shift register to the data buffer register. An INTSIO interrupt is generated when the number of data words specified with the BUF has been transferred. The interrupt service program reads the received data from the data buffer register and then writes the data to be transmitted. The data buffer register is used for both transmitting and receiving; therefore, always write the data to be transmitted after reading the received data.

When the internal clock is used, a wait is initiated until the received data are read and the next data are written. A wait will not be initiated if even one data word has been written.

A wait will not be initiated if even one data word has been written.

Note: The wait is also canceled by writing to a DBR not being used as a transmit data buffer registers; therefore, during SIO do not use such DBR for other applications.

When an external clock is used, the shift operation is synchronized with the external clock; therefore, it is necessary to read the received data and write the data to be transmitted next before starting the next shift operation. When an external clock is used, the transfer speed is determined by the maximum delay between generation of an interrupt request and the received data are read and the data to be transmitted next are written.

When the receive is started, after the SIOF goes "high" output from the SO pin holds final bit of the last data until falling edge of the \overline{SCK} .

The transmit/receive operation is ended by clearing SIOS to "0" or setting SIOINH to "1" in interrupt service program.

When SIOS is cleared, the current data are transferred to the data buffer register. The transmit/receive is ended at the time that the final bit of the data being shifted has been output. The end of transmit/receive can be determined from the status of SIOF (bit 7 in SIOSR). SIOF is cleared to "0" when the transmit/receive is ended. When SIOINH is set, the transmit/receive is immediately ended and SIOF is cleared to "0".

If the number of words is to be changed during transfer, SIOS must be cleared to "0" and BUF is rewritten after confirmed that SIOF clearing to "0". The number of words can be changed during automatic-wait operation of an internal clock. In this case, BUF must be rewritten before the final transmitted/received data is read out.

When SIO1NH is set, the transmit/receive operation is immediately ended and SIOF is cleared to "0".

If it is necessary to change the number of words in external clock operation, SIOS should be cleared to "0", then BUF must be rewritten after confirming that SIOF has been cleared to "0".

If it is necessary to change the number of words in internal clock, during automatic-wait which operation which occurs after completion of transmit/receive operation, BUF must be rewritten before reading and writing of the receive/transmit data.

Note: The buffer contents are lost when the transfer mode is switched. If it should become necessary to switch the transfer mode, end receiving by clearing SIOS to "0", read the last data and then switch the transfer mode.

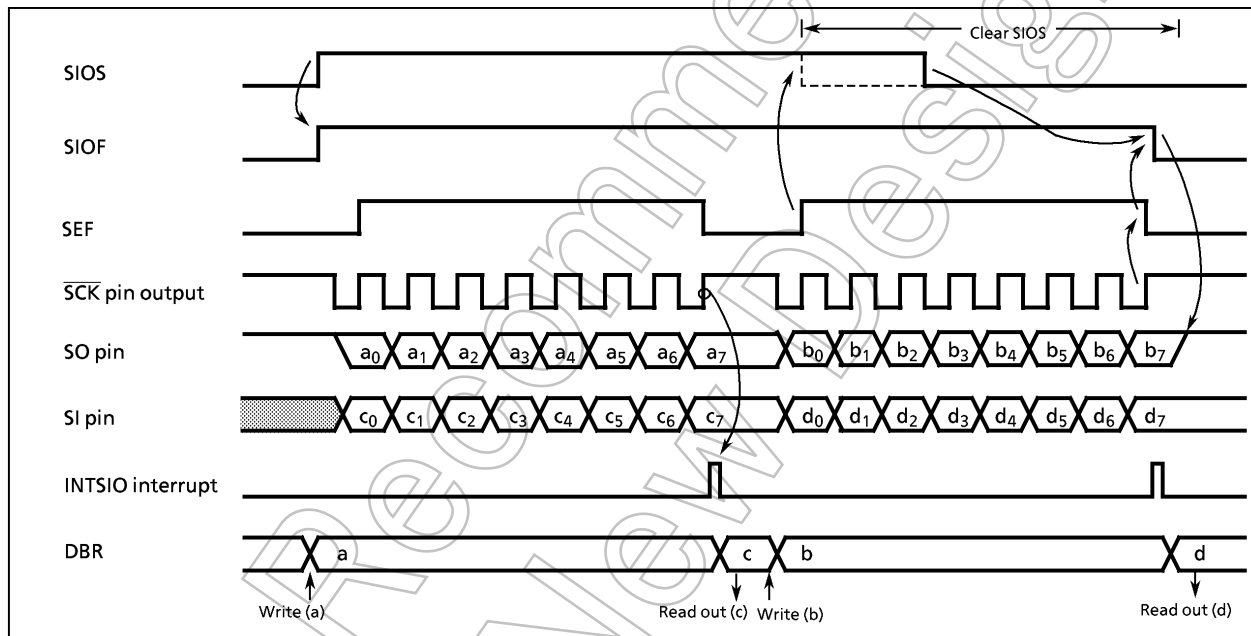


Figure 2-41. Transmit/Receive Mode (Example: 8-bit, 1word, internal clock)

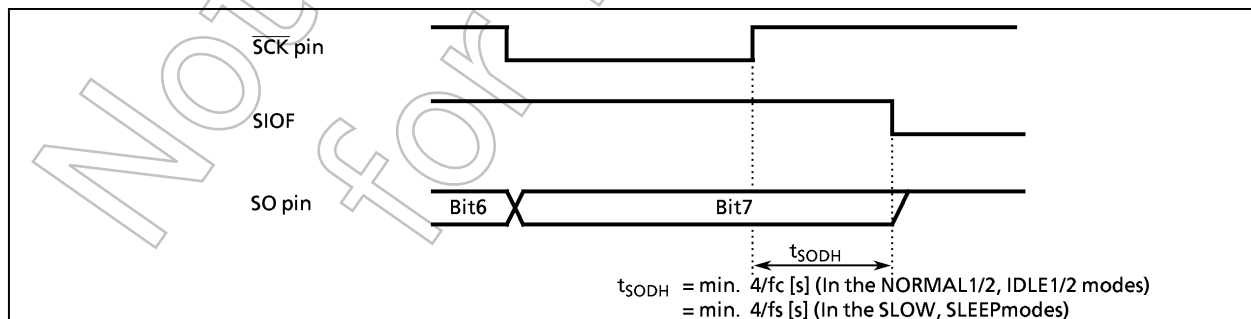


Figure 2-42. Transmitted Data Hold Time at end of transmit/receive

2.10 LCD Driver

The TMP87CM23A/P23 each have a driver and control circuit to directly drive the liquid crystal device (LCD). The pins to be connected to LCD are as follows:

- ① Segment output port 12 pins (SEG11 to SEG0)
- ② Segment output or P6, P7, P8, P9 input / output port 28 pins (SEG39 to SEG12)
- ③ Common output port 4 pins (COM3 to COM0)

In addition, VLC pin is provided as the drive power pins

The devices that can be directly driven is selectable from LCD of the following drive methods:

- ① 1 / 4 Duty (1 / 3 Bias) LCD Max.160 Segments (8-segment x 20 digits)
- ② 1 / 3 Duty (1 / 3 Bias) LCD Max.120 Segments (8-segment x 15 digits)
- ③ 1 / 3 Duty (1 / 2 Bias) LCD Max.120 Segments (8-segment x 15 digits)
- ④ 1 / 2 Duty (1 / 2 Bias) LCD Max. 80 Segments (8-segment x 10 digits)
- ⑤ Static LCD Max. 40 Segments (8-segment x 5 digits)

2.10.1 Configuration

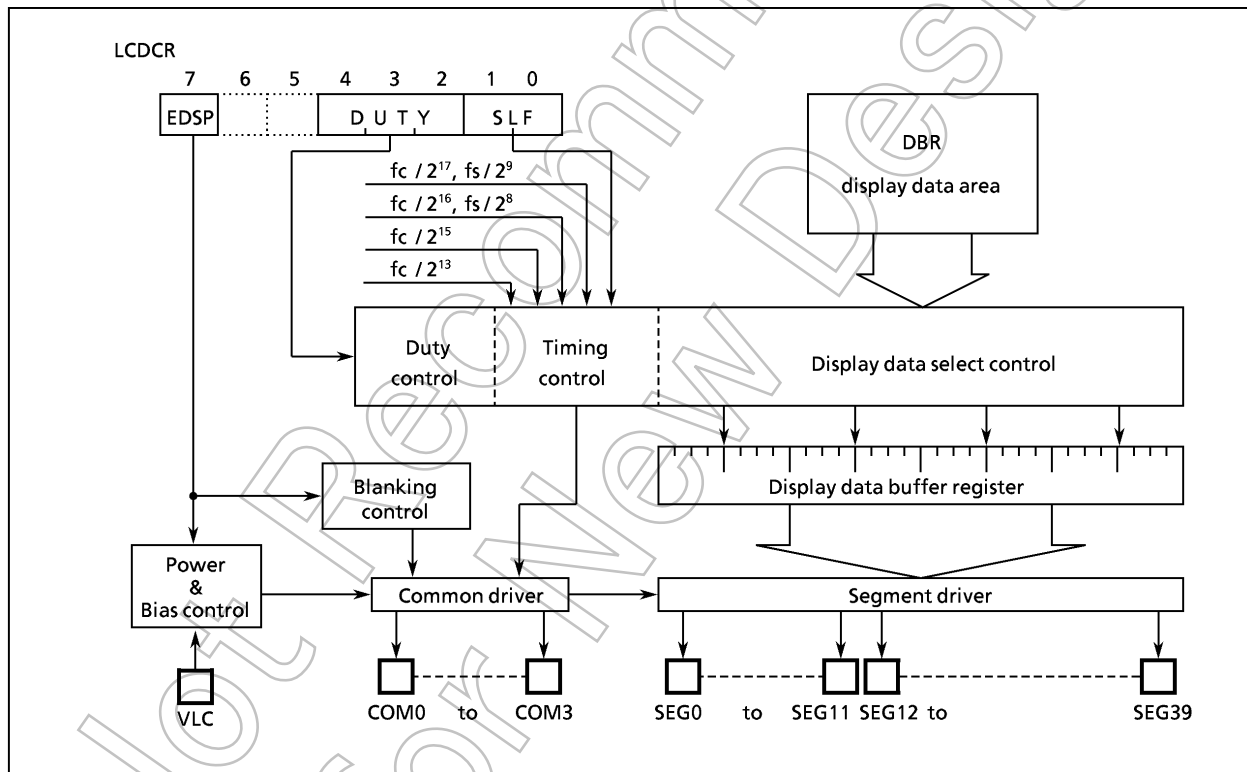


Figure 2-43. LCD driver

2.10.2 Control

The LCD driver is controlled by the LCD control register (LCDCR).

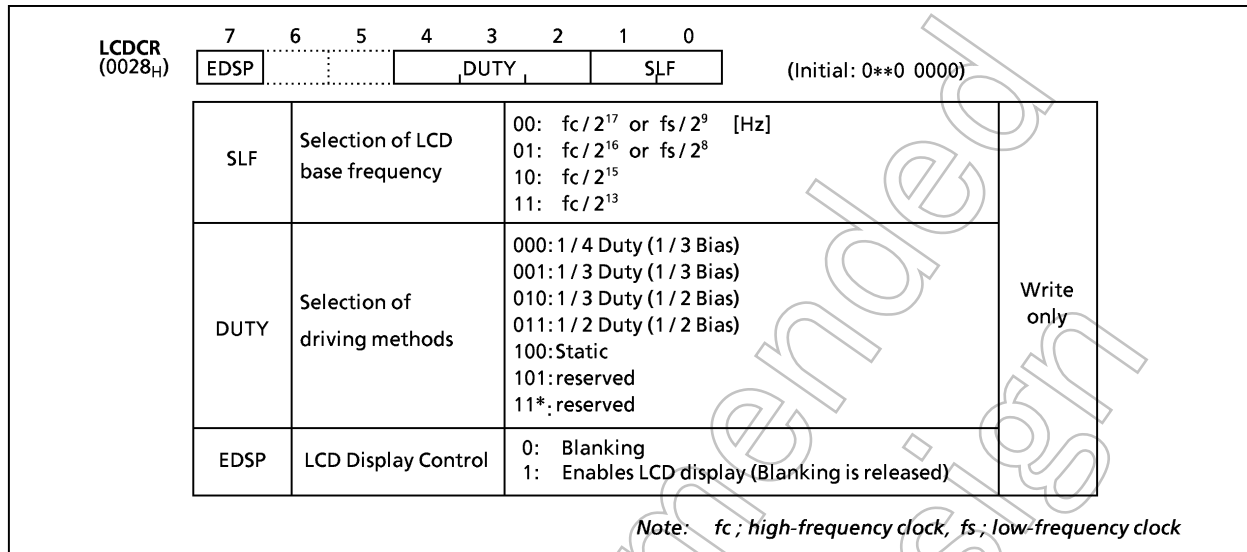


Figure 2-44. LCD driver control register

(1) LCD driving methods

As for LCD driving method, 5 types can be selected by DUTY (bit 4 to bit 2 of LCDCR). The driving method is initialized in the initial program according to the LCD used.

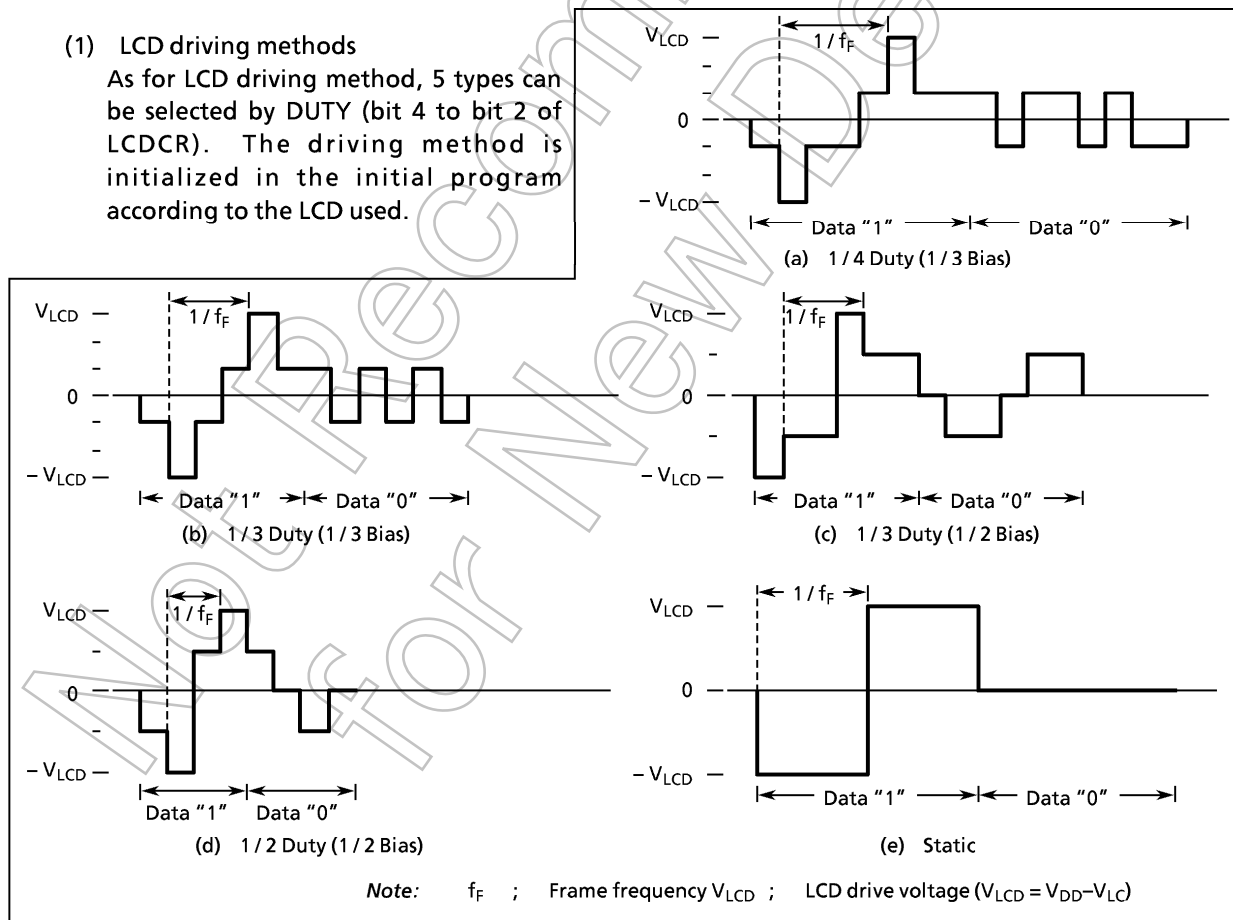


Figure 2-45. LCD drive waveform (COM – SEG pins)

(2) Frame frequency

Frame frequency (f_F) is set according to driving method and base frequency as shown in the following Table 2-9. The base frequency is selected by SLF (Lower two bits of command register) according to the frequency f_c and f_s of the basic clock to be used.

a. At the single clock mode or at the dual clock mode with DVCK7 = 0

SLF	Base frequency [Hz]	Frame frequency [Hz]			
		1 / 4 Duty	1 / 3 Duty	1 / 2 Duty	Static
00	$\frac{f_c}{2^{17}}$	$\frac{f_c}{2^{17}}$	$\frac{4}{3} \cdot \frac{f_c}{2^{17}}$	$\frac{4}{2} \cdot \frac{f_c}{2^{17}}$	$\frac{f_c}{2^{17}}$
	($f_c = 8$ MHz)	61	81	122	61
01	$\frac{f_c}{2^{16}}$	$\frac{f_c}{2^{16}}$	$\frac{4}{3} \cdot \frac{f_c}{2^{16}}$	$\frac{4}{2} \cdot \frac{f_c}{2^{16}}$	$\frac{f_c}{2^{16}}$
	($f_c = 4$ MHz)	61	81	122	61
10	$\frac{f_c}{2^{15}}$	$\frac{f_c}{2^{15}}$	$\frac{4}{3} \cdot \frac{f_c}{2^{15}}$	$\frac{4}{2} \cdot \frac{f_c}{2^{15}}$	$\frac{f_c}{2^{15}}$
	($f_c = 4$ MHz)	122	162	244	122
11	$\frac{f_c}{2^{13}}$	$\frac{f_c}{2^{13}}$	$\frac{4}{3} \cdot \frac{f_c}{2^{13}}$	$\frac{4}{2} \cdot \frac{f_c}{2^{13}}$	$\frac{f_c}{2^{13}}$
	($f_c = 1$ MHz)	122	162	244	122

Note: f_c ; High-frequency clock [Hz]

b. At the dual clock mode with DVCK7 = 1 or with SYSCK = 1

SLF	Base frequency [Hz]	Frame frequency [Hz]			
		1 / 4 Duty	1 / 3 Duty	1 / 2 Duty	Static
00	$\frac{f_s}{2^9}$	$\frac{f_s}{2^9}$	$\frac{4}{3} \cdot \frac{f_s}{2^9}$	$\frac{4}{2} \cdot \frac{f_s}{2^9}$	$\frac{f_s}{2^9}$
	($f_s = 32.768$ kHz)	64	85	128	64
01	$\frac{f_s}{2^8}$	$\frac{f_s}{2^8}$	$\frac{4}{3} \cdot \frac{f_s}{2^8}$	$\frac{4}{2} \cdot \frac{f_s}{2^8}$	$\frac{f_s}{2^8}$
	($f_s = 32.768$ kHz)	128	171	256	128

Note: f_s ; Low-frequency clock [Hz]

Table 2-9. Setting of LCD Frame Frequency

(3) LCD drive voltage

LCD driving voltage V_{LCD} is given as potential difference $V_{DD} - V_{LC}$ between pins VDD and VLC. Therefore, when the CPU voltage and LCD drive voltage are the same, VLC pin will be connected to VSS pin. The LCD lights when the potential difference between segment output and common output is $\pm V_{LCD}$. Otherwise it turns off.

During reset, the power switch of LCD driver is automatically turned off, shutting off the VLC voltage. At the same time, both segment outputs and common outputs become at VDD level, turning off the LCD. The power switch is turned on to supply VLC voltage to LCD driver by setting with EDSP (bit 7 in LCDCR) to "1". After that, the power switch will not turned off even during blanking (clearing EDSP to "0") and the VLC voltage continues flow. When STOP mode starts, the power switch will be turned off. Therefore, LCD light out, and stop operation is executed at low power consumption. When STOP mode is released the status in effect immediately before the STOP operation is reinstated.

Note: During reset, the LCD segment outputs (SEG0 to SEG11) and LCD common outputs (COM3 to COM0) are fixed "0" level. But the multiplex terminal (P6, P7, P8 and P9 ports) of input / output port and LCD segment output becomes high impedance. Therefore, when the reset input is long remarkably, ghost problem may appear in LCD display.

2.10.3 LCD Display Operation

(1) Display data setting

Display data is stored to the display data area (assigned to address 0F80 to 0F93_H) in the DBR. The display data which are stored in the display data area is automatically read out and sent to the LCD driver by the hardware. The LCD driver generates the segment signal and common signal according to the display data and driving method. Therefore, display patterns can be changed by only over writing the contents of display data area by the program. Figure 2-46 shows the correspondence between the display data area and SEG/COM pins.

LCD light when display data is "1" and turn off when "0". According to the driving method of LCD, the number of pixels which can be driven becomes different, and the number of bits in the display data area which is used to store display data also becomes different.

Therefore, the bits which are not used to store display data as well as the data buffer which corresponds to the addresses not connected to LCD can be used to store general user process data (see Table 2-10.)

address	bit 7	bit 6	bit 5	bit 4	bit 3	bit 2	bit 1	bit 0
0F80 _H		SEG1					SEG0	
81		SEG3					SEG2	
82		SEG5					SEG4	
83		SEG7					SEG6	
84		SEG9					SEG8	
85		SEG11					SEG10	
86		SEG13					SEG12	
87		SEG15					SEG14	
88		SEG17					SEG16	
89		SEG19					SEG18	
8A		SEG21					SEG20	
8B		SEG23					SEG22	
8C		SEG25					SEG24	
8D		SEG27					SEG26	
8E		SEG29					SEG28	
8F		SEG31					SEG30	
90		SEG33					SEG32	
91		SEG35					SEG34	
92		SEG37					SEG36	
93		SEG39					SEG38	
	COM3	COM2	COM1	COM0	COM3	COM2	COM1	COM0

Table 2-10. Driving method and bit for display Data

Driving methods	Bit 7/3	Bit 6/2	Bit 5/1	Bit 4/0
1 / 4 Duty	COM3	COM2	COM1	COM0
1 / 3 Duty	-	COM2	COM1	COM0
1 / 2 Duty	-	-	COM1	COM0
Static	-	-	-	COM0

Note: - ; This bit is not used for display data

Figure 2-46. LCD display data area (DBR)

(2) Blanking

Blanking is enabled when EDSP is cleared to "0".

Blanking turns off LCD through outputting a non-selective level to COM pin. A signal level is continuously output to SEG pin according to display data and driving method. For static drive, lights-out by data (clearing display data to "0") does not apply any voltage between pins COM and SEG. On the other hand, lights-out by blanking makes the output to COM pin at a constant $V_{LCD}/2$ level, so that the part between pins COM and SEG becomes in the state driven by $V_{LCD}/2$.

2.10.4 Control Method of LCD Driver

(1) Initial setting

Figure 2-47 shows the flowchart of initialization.

Example: To operate a 1/4 duty LCD of 40 segments x 4 commons at frame frequency $f_c/2^{16}$ [Hz]

```
LD    (LCDCR), 0000001B    ; Sets LCD driving method and
                           ; frame frequency.
LD    (P6CR), 0FFH        ; Sets P6, P7, P8, P9 port as
LD    (P7CR), 0FFH        ; segment output.
LD    (P8CR), 0FFH        ; Sets the initial value of
LD    (P9CR), 0FFH        ; display data.
LD    (LCDCR), 1000001B    ; Display enable
```

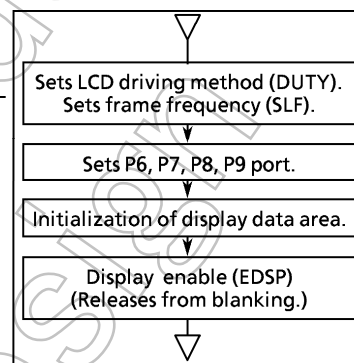


Figure 2-47. Initial Setting of LCD Driver

(2) Store of display data

Generally, display data are prepared as fixed data in program memory (ROM) and stored in display data area by load command.

Example 1: To display using 1/4 duty LCD a numerical value which corresponds to the LCD data stored in data memory at address 80H (when pins COM and SEG are connected to LCD as in Figure 2-48), display data become as shown in Table 2-11.

```
LD    A, (80H)
ADD   A, TABLE - $ - 5
LD    HL, 0F80H
LD    (HL), (PC + A)
RET

TABLE: DB    11011111B, 00000110B,
           11100011B, 10100111B,
           00110110B, 10110101B,
           11110101B, 00010111B,
           11110111B, 10110111B

SNEXT:
```

Note: DB is a byte data definition instruction.

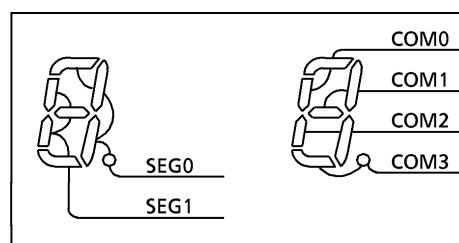






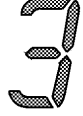





Figure 2-48. Example of COM, SEG Pin Connection (1/4 Duty)

Table 2-11. Example of Display Data (1/4 Duty)

No.	display	display data	No.	display	display data
0		11011111	5		10110101
1		00000110	6		11110101
2		11100011	7		00000111
3		10100111	8		11110111
4		00110110	9		10110111

Example 2: Table 2-12 shows an example of display data which are displayed using 1/2 duty LCD in the same way as Table 2-11. The connection between pins COM and SEG are the same as shown in Figure 2-49.

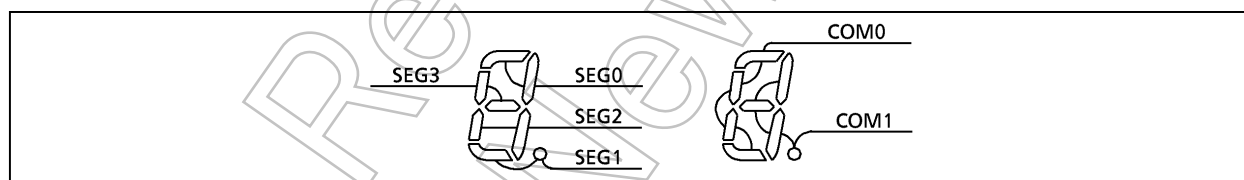


Figure 2-49. Example of COM, SEG Pin Connection

Table 2-12. Example of Display Data (1/2 Duty)

Number	Display data		Number	Display data	
	High order address	Low order address		High order address	Low order address
0	**01**11	**01**11	5	**11**10	**01**01
1	**00**10	**00**10	6	**11**11	**01**01
2	**10**01	**01**11	7	**01**10	**00**11
3	**10**10	**01**11	8	**11**11	**01**11
4	**11**10	**00**10	9	**11**10	**01**11

Note: *; Don't care

(3) Example of LCD drive output

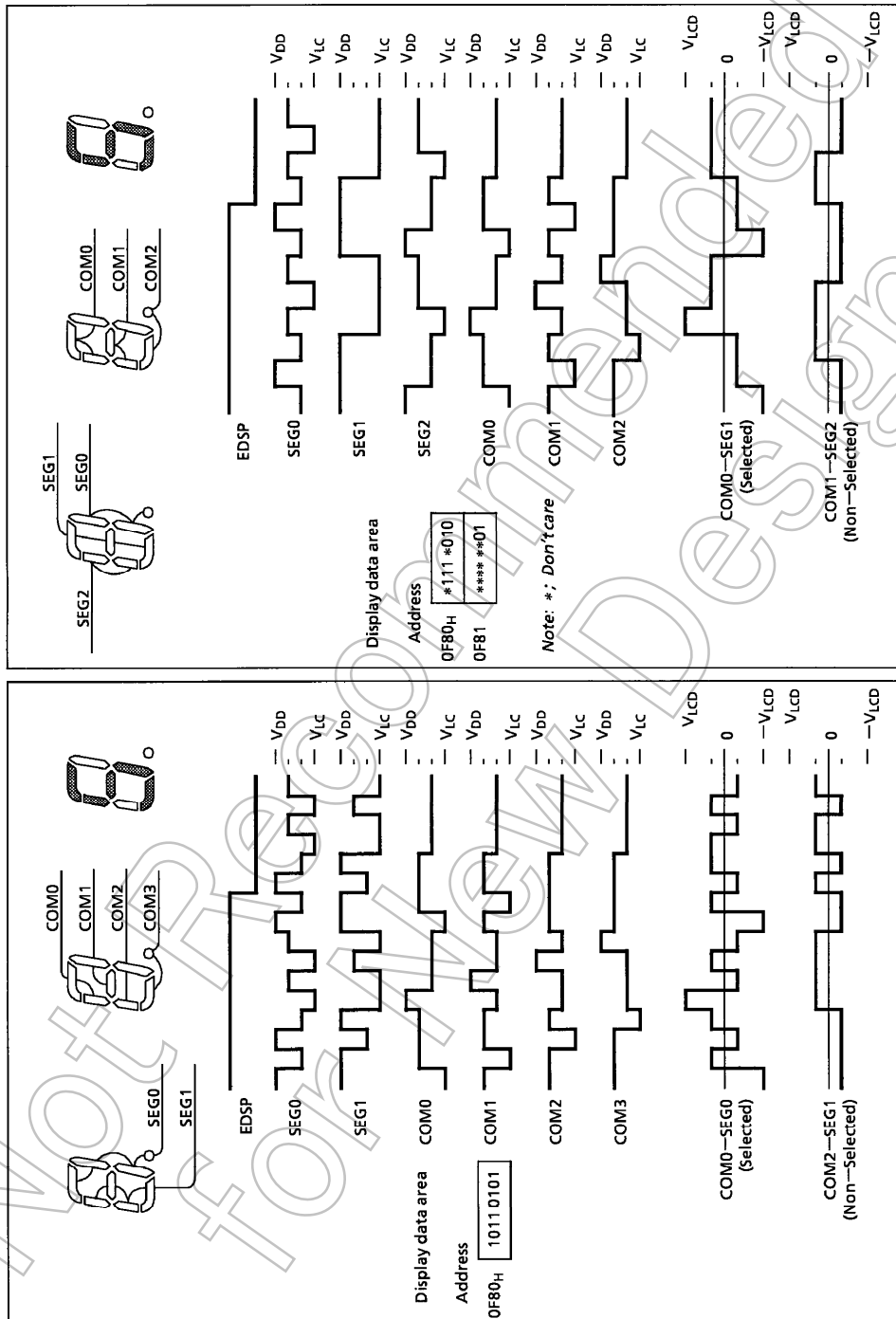
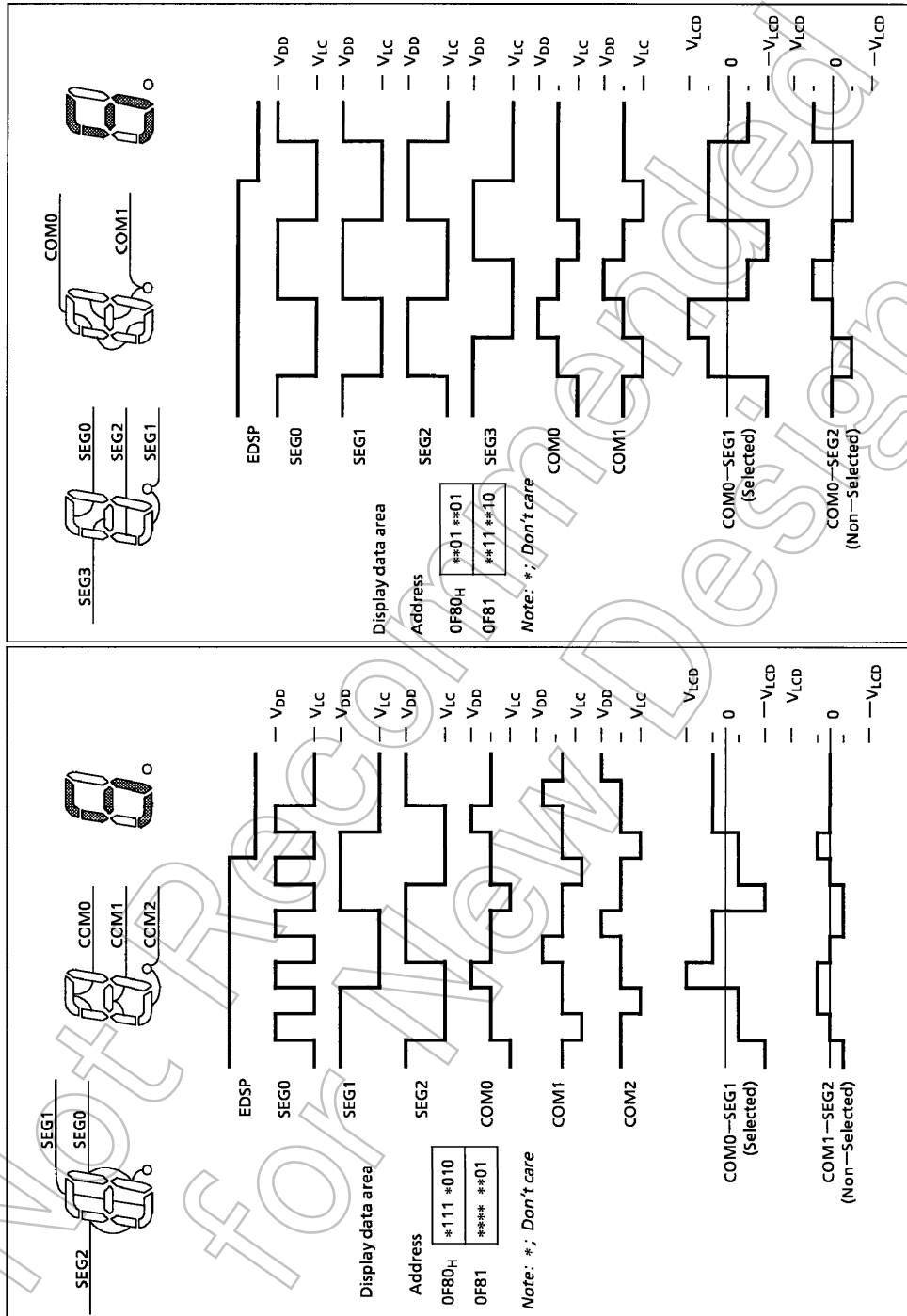


Figure 2-51. 1/3 Duty (1/3 Bias) Drive

Figure 2-50. 1/4 Duty (1/3 Bias) Drive



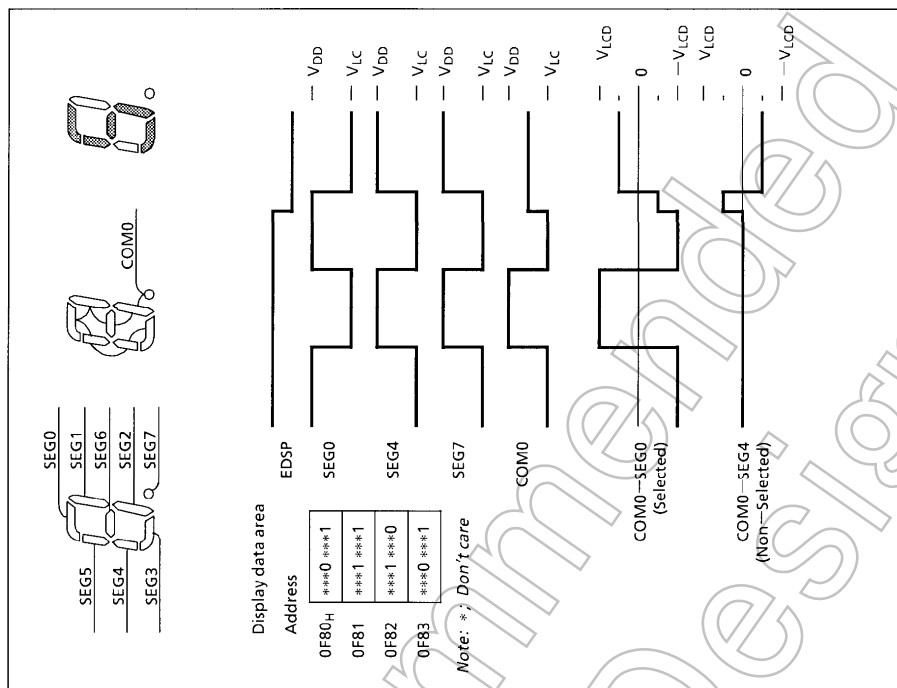


Figure 2-54. Static Drive

Not Recommended for New Design

2.11 8-bit AD Converter (ADC)

The TMP87CM23A/P23 each have an 8-channel multiplexed-input 8-bit successive approximate type AD converter with sample and hold.

2.11.1 Configuration

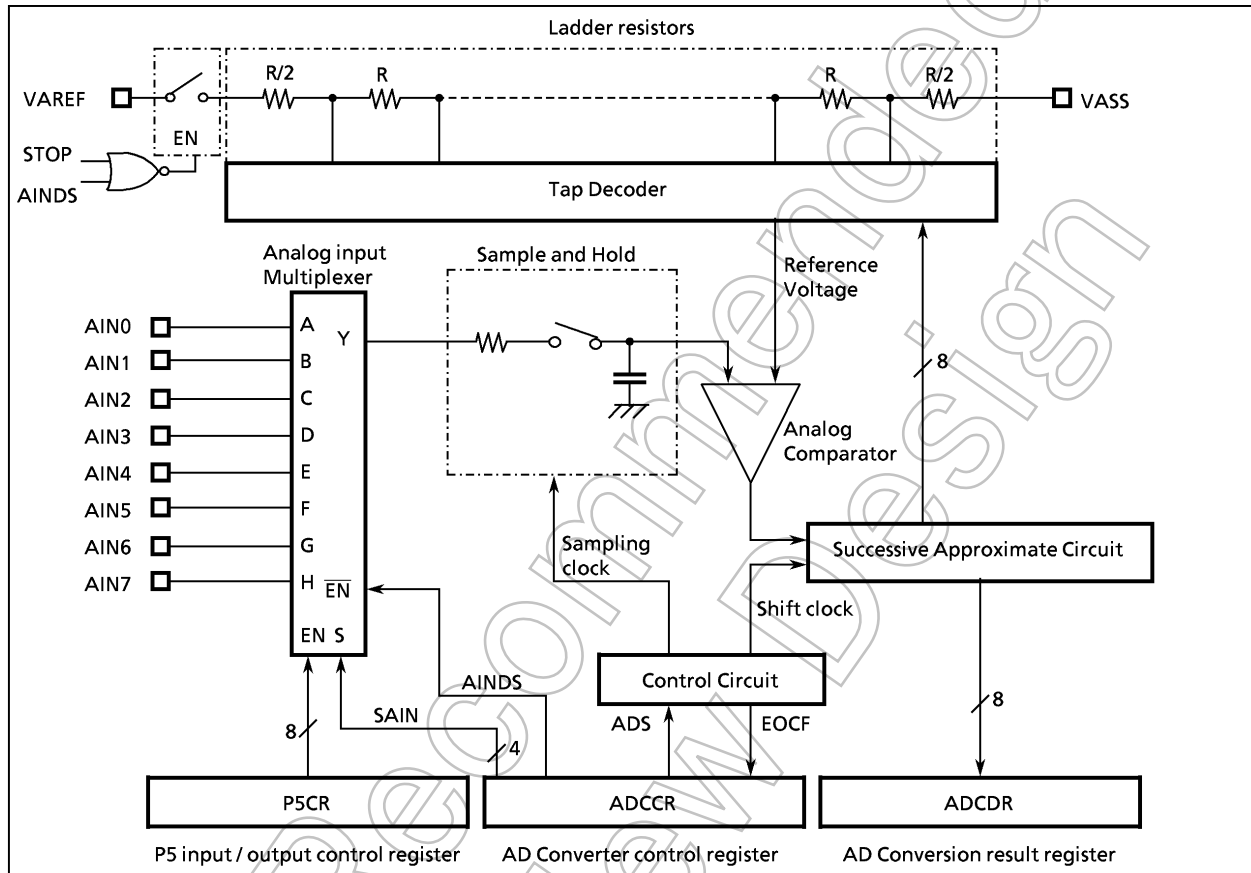


Figure 2-55. AD Converter

2.11.2 Control

The AD converter is controlled by the AD converter control register (ADCCR). Reading EOCF in ADCCR determines the AD converter operating state; reading the AD conversion value register (ADCDR) determines the AD conversion value.

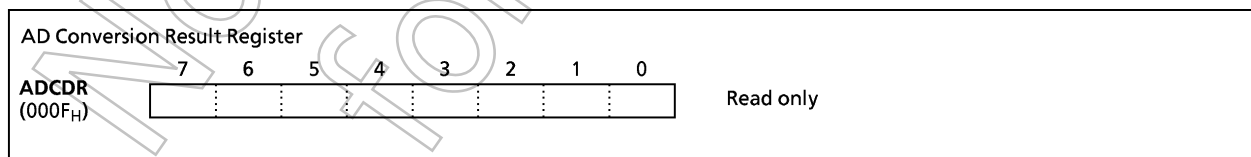


Figure 2-56. AD Converter Result Register

AD Converter Control Register		7	6	5	4	3	2	1	0	
ADCCR (000E _H)	EOCF		ADS	ACK	AINDS	SAIN				(Initial value: 0000 0000)
	SAIN	Analog input selection				0000: AIN0 0001: AIN1 0010: AIN2 0011: AIN3 0100: AIN4 0101: AIN5 0110: AIN6 0111: AIN7 1***: reserved				R/W
	AINDS	Analog input control				0: Enable 1: Disable				
	ACK	Conversion time selection				0: Conversion time = 23 μ s (at $f_c = 8$ MHz) 1: Conversion time = 92 μ s				
	ADS	AD conversion start				0: – 1: AD conversion start				
	EOCF	End of AD conversion flag				0: Under conversion or Before conversion 1: End of conversion				
<p>Note 1: * ; Don't care</p> <p>Note 2: Select analog input when AD converter stops.</p> <p>Note 3: The ADS is automatically cleared to "0" after starting conversion.</p> <p>Note 4: The EOCF is cleared to "0" when reading the ADCDR.</p> <p>Note 5: The EOCF is read-only.</p>										

Figure 2-57. AD converter control register and AD conversion result register

2.11.3 Operation

The high side of an analog reference voltage is applied to VAREF pin, and the low side is applied to VASS pin. The reference voltage between VAREF and VASS is divided into the voltage corresponding with bits by radar resistance. The reference voltage is compared with an analog input voltage and AD conversion is performed.

(1) Start of AD conversion

Prior to AD conversion start, select one pin among analog input channels (AIN7 to AIN0) using the SA IN (bit 3 to 0 in ADCCR). Clear AINDS (bit 4 in ADDCCR) to 0 and clear the channel to be used for analog input using the P5 I/O control register (P5CR).

Note: The pin that is not used as an analog input can be used as regular input/output pins. During conversion, do not perform output instruction to maintain a precision for all of the pins.

Set AD conversion time using the ACK (bit 5 in ADCCR).

To start AD conversion, set AD conversion to "1" using the ADS (bit 6 in ADCCR).

AD conversion time is from AD conversion start to AD conversion result being set in ADCDR. When ACK = 0, $184/f_c$ [s] (46 machine cycles) is necessary. That is, when $f_c = 8$ MHz, the AD conversion time is 23 μ s. After AD conversion, the EOCF (bit 7 in ADCCR) is set to "1" indicating end of conversion.

Setting the ADS to "1" during AD conversion resumes conversion from the beginning.

The analog input voltage is sampled every 4 machine cycles after AD conversion start.

Note: To keep the same level of an analog input during 4 Machine Cycle Time is necessary for charging the electron to the sample hold circuit which has a resistor (typ. 5 kΩ) and a capacitor (typ. 12pF).

(2) Reading of AD conversion result

After the end of conversion, read the conversion result from the ADCDR. The EOCF is automatically cleared to "0" when reading the ADCDR. When the conversion result is read out during AD conversion, the invalid value is read out.

(3) AD conversion in STOP mode

When the MCU places in the STOP mode during the AD conversion, the conversion is terminated and the AD conversion value become indefinite. Thus EOCF is maintained to "0" after returned from the STOP mode.

However, if the STOP mode is started after the end of conversion (EOCF = 1), the ADCDR contents are held.

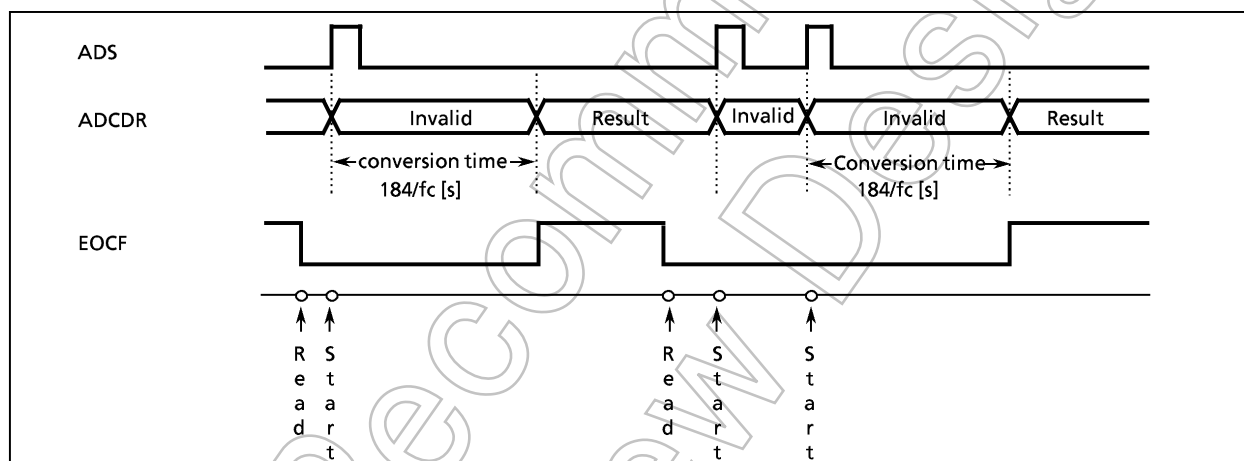


Figure 2-58. AD conversion Timing chart

Example: After AIN pin 4 is selected as an analog input channel, AD conversion is started. EOCF is confirmed and the converted result is read out. It is saved to address 009E_H in RAM.

```

; AIN SELECT
LD      (ADCCR), 00000100B ; Selects AIN4
; AD CONVERT START
SET     (ADCCR). 6         ; ADS = 1
SLOOP: TEST  (ADCCR). 7     ; EOCF = 1 ?
JRS     T, SLOOP
; RESULT DATA READ
LD      (9EH), (ADCCR)

```

Figure 2-59 shows the relationship between An analog input voltage and AD converted 8-bit digital value.

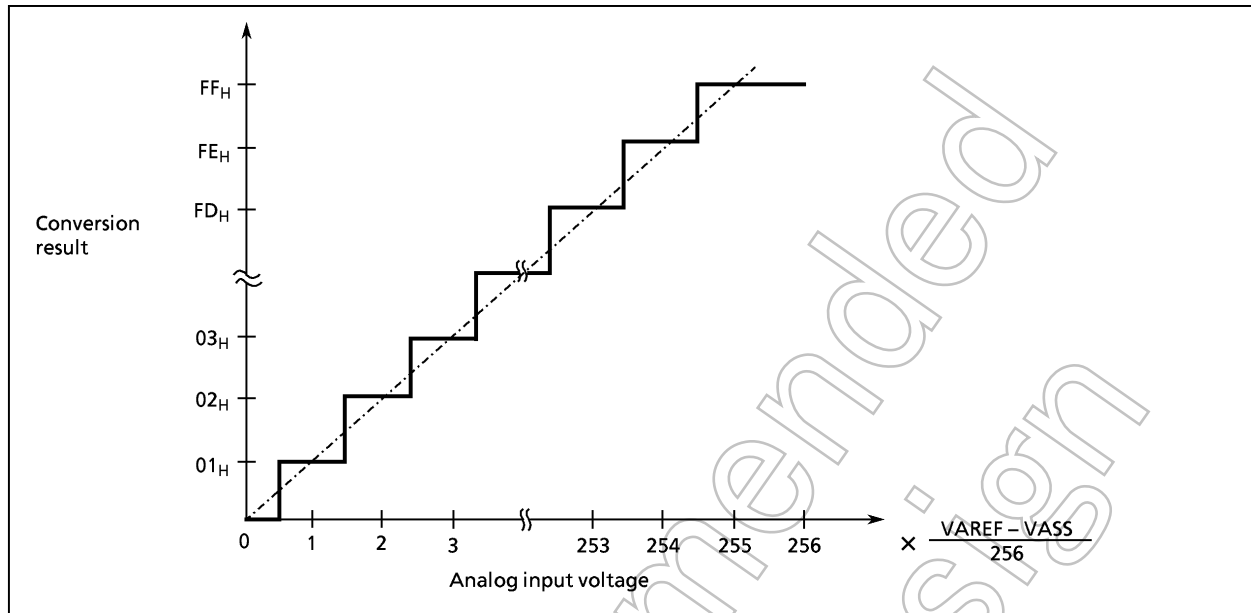


Figure2-59. Analog input voltage vs AD conversion result (typ.)

Not Recommended for New Design

Input / Output Circuitry

(1) Control pins

The input / output circuitries of the TMP87CM23A/P23 control pins are shown below.

Please specify either the single-clock mode or the dual-clock mode by a code (NM1 or NM2) as an option for an operating mode during reset.

Control Pin	I/O	Input / Output Circuitry and Code	Remarks
XIN XOUT	Input Output		Resonator connecting pins (high-frequency) $R_f = 1.2 \text{ M}\Omega$ (typ.) $R_o = 1.5 \text{ k}\Omega$ (typ.) $R = 1 \text{ k}\Omega$ (typ.)
XTIN XTOUT	Input Output	NM1 Refer to port P2 NM2 	Resonator connecting pins (low-frequency) $R_f = 6 \text{ M}\Omega$ (typ.) $R_o = 220 \text{ k}\Omega$ (typ.) $R = 1 \text{ k}\Omega$ (typ.)
$\overline{\text{RESET}}$	I/O		Sink open-drain output Hysteresis input Pull-up resistor $R_{IN} = 220 \text{ k}\Omega$ (typ.) $R = 1 \text{ k}\Omega$ (typ.)
$\overline{\text{STOP/INT5}}$	Input		Hysteresis input $R = 1 \text{ k}\Omega$ (typ.)
TEST	Input		Pull-down resistor $R_{IN} = 70 \text{ k}\Omega$ (typ.) $R = 1 \text{ k}\Omega$ (typ.)

Note 1: The TEST pin of the TMP87PP23 does not have a pull-down resistor. Always fix to low level.

Note 2: The TMP87PP23 is placed in the single-clock mode during reset.

Note 3: The STOP/INT5 pin of TMP87CM23A is different from TMP87CP23/PP23 and has guard diodes built-in VDD side.

(2) Input/Output Ports

The input/output circuitries of the TMP87CM23A/P23 input/output ports are shown below.

PORT	I/O	Input/Output Circuitry	
P0 P5	I/O	<p>initial "High-Z"</p>	<p>Tri-state I/O</p> <p>R = 1 kΩ (typ.)</p>
P1	I/O	<p>initial "High-Z"</p>	<p>Tri-state I/O</p> <p>Hysteresis input</p> <p>R = 1 kΩ (typ.)</p>
P3	I/O	<p>initial "High-Z"</p>	<p>Sink open drain output</p> <p>Hysteresis input</p> <p>R = 1 kΩ (typ.)</p>
P2	I/O	<p>P20</p> <p>initial "High-Z"</p>	<p>Sink open drain output</p> <p>R = 1 kΩ (typ.)</p>
		<p>P21, P22</p> <p>initial "High-Z"</p>	
P6 P7 P8 P9	I/O	<p>Segment output</p> <p>Disable</p>	<p>Sink open drain or Segment output</p> <p>R = 1 kΩ (typ.)</p>
P4	I/O	<p>initial "High-Z"</p> <p>p-ch Control</p> <p>Disable</p>	<p>Push-pull output or Sink open drain output</p> <p>P41 Nch High current output</p> <p>Hysteresis input</p> <p>R = 1 kΩ (typ.)</p>

Note 1: P4 port is a command register, which can control ON/OFF of the Pch transistor.

Note 2: Unlike the TMP87CP23/PP23, P2 and P3 ports of the TMP87CM23A incorporate a protection diode on VDD side.

Electrical Characteristics

Absolute Maximum Ratings		(V _{SS} = 0 V)		
Parameter	Symbol	Pins	Ratings	Unit
Supply Voltage	V _{DD}		- 0.3 to 6.5	V
Input Voltage	V _{IN}		- 0.3 to V _{DD} + 0.3	V
Output Voltage	V _{OUT}		- 0.3 to V _{DD} + 0.3	V
Output Current (Per 1 pin)	I _{OUT1}	Ports P0, P1, P2, P3, P5, P6, P7, P8, P9, P4 (except P41)	3.2	mA
	I _{OUT2}	P41	30	
Output Current (Total)	Σ I _{OUT1}	Ports P0, P1, P2, P3, P5, P6, P7, P8, P9, P4 (except P41)	120	mA
	Σ I _{OUT2}	P41	30	
Power Dissipation [T _{opr} = 70°C]	PD		350	mW
Soldering Temperature (time)	T _{slid}		260 (10 s)	°C
Storage Temperature	T _{stg}		- 55 to 125	°C
Operating Temperature	T _{opr}		- 30 to 70	°C

Note 1: The absolute maximum ratings are rated values which must not be exceeded during operation, even for an instant. Any one of the ratings must not be exceeded. If any absolute maximum rating is exceeded, a device may break down or its performance may be degraded, causing it to catch fire or explode resulting in injury to the user. Thus, when designing products which include this device, ensure that no absolute maximum rating value will ever be exceeded.

Note 2: The absolute maximum input/output voltage ratings for the TMP87CM23A/CP23/PP23 are - 0.3 to V_{DD} + 0.3 [V] at all I/O ports including sink open drain output ports. (However, the VPP pin of TMP87PP23 is not contained in these condition.)

Recommended Operating Conditions		(V _{SS} = 0 V, T _{opr} = - 30 to 70°C)					
Parameter	Symbol	Pins	Conditions	Min	Max	Unit	
Supply Voltage	V _{DD}		f _c = 8 MHz	NORMAL1, 2 mode	4.5	5.5	V
				IDLE1, 2 mode			
			f _c = 4.2 MHz	NORMAL1, 2 mode	2.7		
				IDLE1, 2 mode			
			f _s = 32.768 kHz	SLOW mode	2.0		
SLEEP mode							
Input High Voltage	V _{IH1}	Except hysteresis input	V _{DD} ≥ 4.5 V	V _{DD} × 0.70	V _{DD}	V	
	V _{IH2}	Hysteresis input		V _{DD} × 0.75			
	V _{IH3}			V _{DD} < 4.5 V			V _{DD} × 0.90
Input Low Voltage	V _{IL1}	Except hysteresis input	V _{DD} ≥ 4.5 V	0	V _{DD} × 0.30	V	
	V _{IL2}	Hysteresis input			V _{DD} × 0.25		
	V _{IL3}				V _{DD} < 4.5 V		V _{DD} × 0.10
Clock Frequency	f _c	XIN, XOUT	V _{DD} = 4.5 to 5.5 V	0.4	8.0	MHz	
			V _{DD} = 2.7 to 5.5 V		4.2		
	f _s	XTIN, XTOUT		30.0	34.0	kHz	

Note 1: The recommended operating conditions for a device are operating conditions under which it can be guaranteed that the device will operate as specified. If the device is used under operating conditions other than the recommended operating conditions (supply voltage, operating temperature range, specified AC/DC values etc.), malfunction may occur. Thus, when designing products which include this device, ensure that the recommended operating conditions for the device are always adhered to.

Note 2: Clock frequency f_c: Supply voltage range is specified in NORMAL1/2 mode and IDLE1/2 mode.

DC Characteristics		$(V_{SS} = 0 \text{ V}, T_{opr} = -30 \text{ to } 70^\circ\text{C})$					
Parameter	Symbol	Pins	Conditions	Min	Typ.	Max	Unit
Hysteresis Voltage	V_{HS}	Hysteresis inputs		—	0.9	—	V
Input Current	I_{IN1}	TEST	$V_{DD} = 5.5 \text{ V}, V_{IN} = 5.5 \text{ V} / 0 \text{ V}$	—	—	± 2	μA
	I_{IN2}	Open drain ports and tri-state ports					
	I_{IN3}	RESET, STOP					
Input Low Current	I_{IL}	Push-pull ports	$V_{DD} = 5.5 \text{ V}, V_{IN} = 0.4 \text{ V}$	—	—	-2	mA
Input Resistance	R_{IN2}	RESET		100	220	450	k Ω
Output Leakage Current	I_{LO1}	Open drain ports	$V_{DD} = 5.5 \text{ V}, V_{OUT} = 5.5 \text{ V}$	—	—	2	μA
	I_{LO2}	Tri-state ports	$V_{OUT} = 5.5 \text{ V} / 0 \text{ V}$	—	—	± 2	
Segment Output Low Resistance	R_{OS1}	SEG39 to SEG0		—	20	—	k Ω
Common Output Low Resistance	R_{OC1}	COM3 to COM0					
Segment Output High Resistance	R_{OS2}	SEG39 to SEG0	$V_{DD} = 5 \text{ V}, V_{DD} - V_{LC} = 3 \text{ V}$	—	200	—	k Ω
Common Output High Resistance	R_{OC2}	COM3 to COM0					
Segment/Common Output Voltage	$V_{O\ 2/3}$	SEG39 to SEG0 and COM3 to COM0		3.8	4.0	4.2	V
	$V_{O\ 1/2}$			3.3	3.5	3.7	
	$V_{O\ 1/3}$			2.8	3.0	3.2	
Output High Voltage	V_{OH1}	Push-pull ports (P4 port)	$V_{DD} = 4.5 \text{ V}, I_{OH} = -200 \mu\text{A}$	2.4	—	—	V
	V_{OH2}	Tri-state ports (P0, P1, P5 ports)	$V_{DD} = 4.5 \text{ V}, I_{OH} = -0.7 \text{ mA}$	4.1	—	—	
Output Low Voltage	V_{OL}	Except XOUT and P41	$V_{DD} = 4.5 \text{ V}, I_{OL} = 1.6 \text{ mA}$	—	—	0.4	V
Output Low Current	I_{OL3}	P41	$V_{DD} = 4.5 \text{ V}, V_{OL} = 1.0 \text{ V}$	—	20	—	mA
Supply Current in NORMAL 1, 2 mode	I_{DD}		$V_{DD} = 5.5 \text{ V}$ $f_c = 8 \text{ MHz}$ $f_s = 32.768 \text{ kHz}$ $V_{IN} = 5.3 \text{ V} / 0.2 \text{ V}$	—	10	16	mA
Supply Current in IDLE 1, 2 mode				—	6	10	
Supply Current in SLOW mode				—	30	60	μA
Supply Current in SLEEP mode				—	15	30	μA
Supply Current in STOP mode				—	0.5	10	μA

Note 1: Typical values show those at $T_{opr} = 25^\circ\text{C}$, $V_{DD} = 5 \text{ V}$.

Note 2: Input Current; The current through pull-up or pull-down resistor is not included.

Note 3: I_{DD} ; Except for I_{REF}

Note 4: Output resistors R_{os} , R_{oc} indicate "on" when switching levels.

Note 5: $V_{O2/3}$ indicates an output voltage at the 2/3 level when operating in the 1/4 or 1/3 duty mode.

Note 6: $V_{O1/2}$ indicates an output voltage at the 1/2 level when operating in the 1/2 duty or static mode.

Note 7: $V_{O1/3}$ indicates an output voltage at the 1/3 level when operating in the 1/4 or 1/3 duty mode.

Note 8: When using LCD, it is necessary to consider values of $R_{os1/2}$ and $R_{bc1/2}$.

Note 9: Times for SEG/COM output switching on: $R_{os1}, R_{oc1}: 2^6/f_c, 2/f_c$ (s)
 $R_{os2}, R_{oc2}: 1/(n, f_f)$
(1/n: duty, f_f : frame frequency)

AD Conversion Characteristics

 $(V_{SS} = 0\text{ V}, V_{DD} = 2.7\text{ to }5.5\text{ V}, T_{opr} = -30\text{ to }70^\circ\text{C})$

Parameter	Symbol	Conditions	Min	Typ.	Max	Unit
Analog Reference Voltage	V_{AREF}	$V_{AREF} - V_{ASS} \geq 2.5\text{ V}$	2.7	–	V_{DD}	V
	V_{ASS}		V_{SS}	–	1.5	
Analog Input Voltage	V_{AIN}		V_{ASS}	–	V_{AREF}	V
Analog Supply Current	I_{REF}	$V_{AREF} = 5.5\text{ V}, V_{ASS} = 0.0\text{ V}$	–	0.5	1.0	mA
Nonlinearity Error		$V_{DD} = 5.0\text{ V}, V_{SS} = 0.0\text{ V}$ $V_{AREF} = 5.000\text{ V}$ $V_{ASS} = 0.000\text{ V}$	–	–	± 1	LSB
Zero Point Error		or $V_{DD} = 2.7\text{ V}, V_{SS} = 0.0\text{ V}$ $V_{AREF} = 2.700\text{ V}$ $V_{ASS} = 0.000\text{ V}$	–	–	± 1	
Full Scale Error			–	–	± 1	
Total Error			–	–	± 2	

Note: Quantizing error is not contained in those errors.

AC Characteristics

 $(V_{SS} = 0\text{ V}, V_{DD} = 4.5\text{ to }5.5\text{ V}, T_{opr} = -30\text{ to }70^\circ\text{C})$

Parameter	Symbol	Conditions	Min	Typ.	Max	Unit
Machine Cycle Time	t_{cy}	In NORMAL 1, 2 mode	0.95	–	10	μs
		In IDLE 1, 2 mode				
		In SLOW mode	117.6	–	133.3	
		In SLEEP mode				
High Level Clock Pulse Width	t_{WCH}	For external clock operation (XIN input), $f_c = 8\text{ MHz}$	50	–	–	ns
Low Level Clock Pulse Width	t_{WCL}					
High Level Clock Pulse Width	t_{WSH}	For external clock operation (XTIN input), $f_s = 32.768\text{ kHz}$	14.7	–	–	μs
Low Level Clock Pulse Width	t_{WSL}					

 $(V_{SS} = 0\text{ V}, V_{DD} = 2.7\text{ to }5.5\text{ V}, T_{opr} = -30\text{ to }70^\circ\text{C})$

Parameter	Symbol	Conditions	Min	Typ.	Max	Unit
Machine Cycle Time	t_{cy}	In NORMAL 1, 2 mode	0.95	–	10	μs
		In IDLE 1, 2 mode				
		In SLOW mode	117.6	–	133.3	
		In SLEEP mode				
High Level Clock Pulse Width	t_{WCH}	For external clock operation (XIN input), $f_c = 4.2\text{ MHz}$	110	–	–	ns
Low Level Clock Pulse Width	t_{WCL}					
High Level Clock Pulse Width	t_{WSH}	For external clock operation (XTIN input), $f_s = 32.768\text{ kHz}$	14.7	–	–	μs
Low Level Clock Pulse Width	t_{WSL}					

Recommended Oscillating Condition-1 (for TMP87CP23)

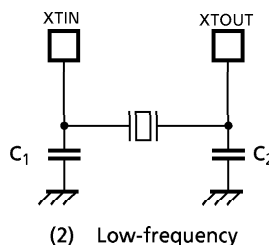
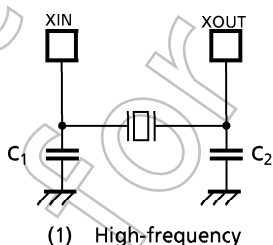
(VSS = 0 V, VDD = 4.5 to 5.5 V, Topr = - 30 to 70°C)

Parameter	Osillator	Frequency	Recommender Oscillator		Recommended Condition	
					C ₁	C ₂
High-frequency	Ceramic Resonator	8 MHz	KYOCERA	KBR8.0M	30 pF	30 pF
			Standard/Lead Type (MURATA)	CSA8.00MTZ CST8.00MTW	Built-in 30 pF	Built-in 30 pF
			Standard/SMP Type (MURATA)	CSACS8.00MT	30 pF	30 pF
			Standard/Small ChipType (MURATA)	CSTCS8.00MT	Built-in 30 pF	Built-in 30 pF
		4 MHz	KYOCERA	KBR4.0MS	30 pF	30 pF
		Crystal Oscillator	8 MHz	TOYOCOM	210B 8.0000	20 pF
	4 MHz		TOYOCOM	204B 4.0000		
Low-frequency	Crystal Oscillator	32.768 kHz	NDK	MX-38T	15 pF	15 pF

Recommended Oscillating Condition-2 (for TMP87CP23)

(VSS = 0V, VDD = 2.7 to 5.5V, Topr = - 30 to 70°C)

Parameter	Osillator	Frequency	Recommender Oscillator		Recommended Condition	
					C ₁	C ₂
High-frequency	Ceramic Resonator	4 MHz	Standard/Lead Type	CSA4.00MG	30 pF	30 pF
			(MURATA)	CST4.00MGW	Built-in 30 pF	Built-in 30 pF
			Standard/SMD Type (MURATA)	CSA4.00MGC CSAC4.00MGCM CSTC4.00MG	30 pF	30 pF
					Built-in 30 pF	Built-in 30 pF
			Standard/Small Chip Type	CSTCS4.00MG	Built-in 10 pF	Built-in 10 pF



Note 1: When used in high electric field such as a picture tube, the package is recommended to be electrically shielded to maintain a regular operation.

Note 2: The product numbers and specifications of the resonators by Murata Manufacturing Co., Ltd. are subject to change. For up-to-date information, please refer to the following URL; <http://www.murata.co.jp/search/index.html>

Not Recommended
for New Design